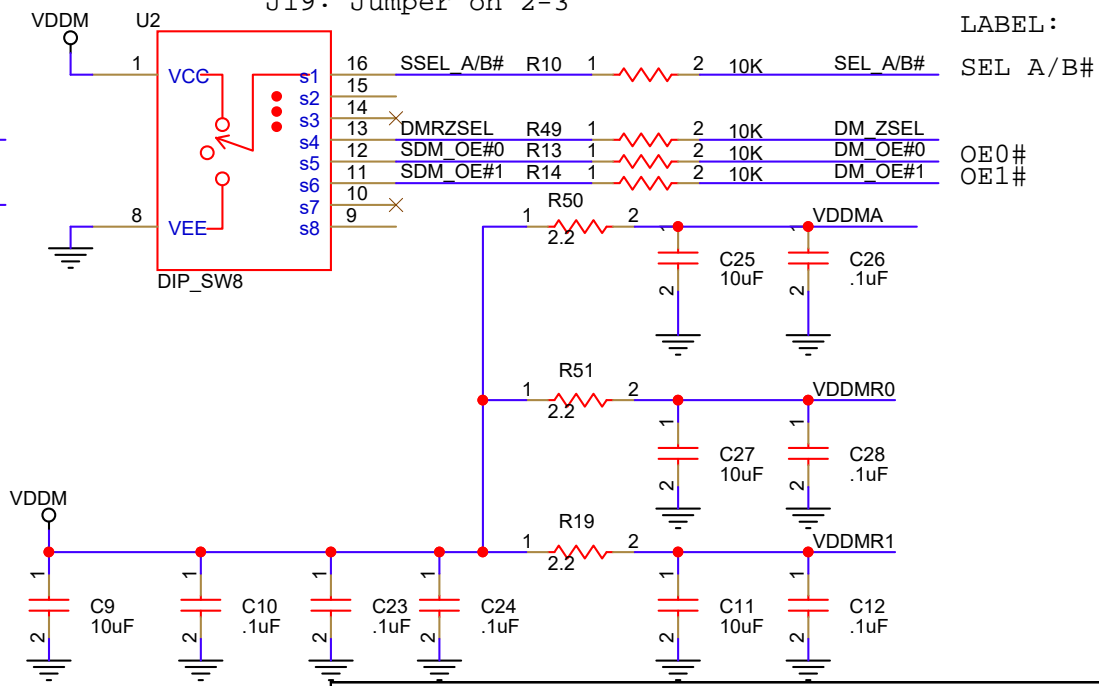


Default Jumper Settings:

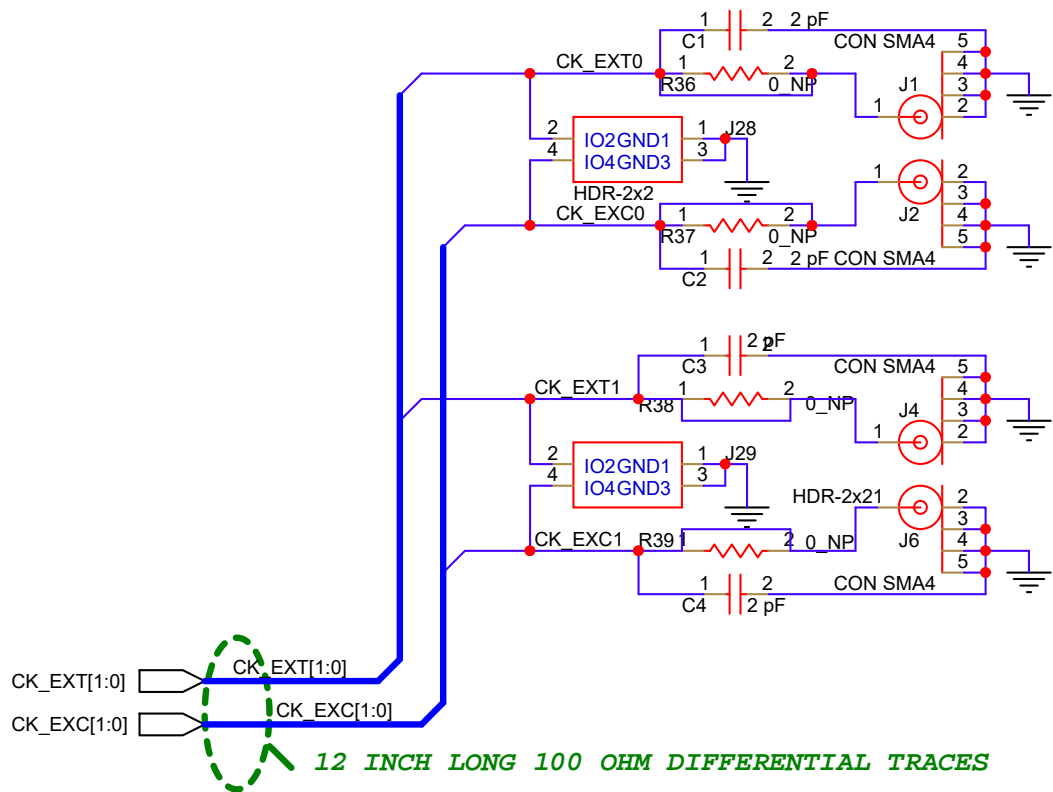
U2: All switches at center position
 J19: Jumper on 2-3



Integrated Device Technology

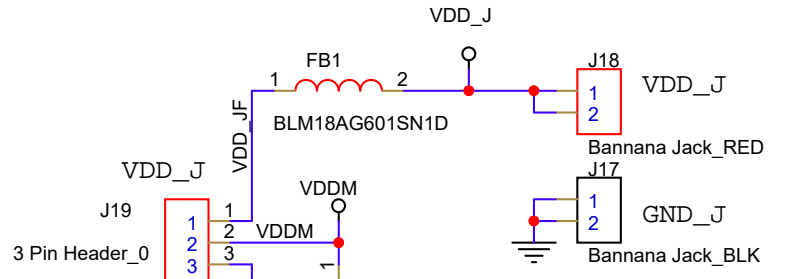
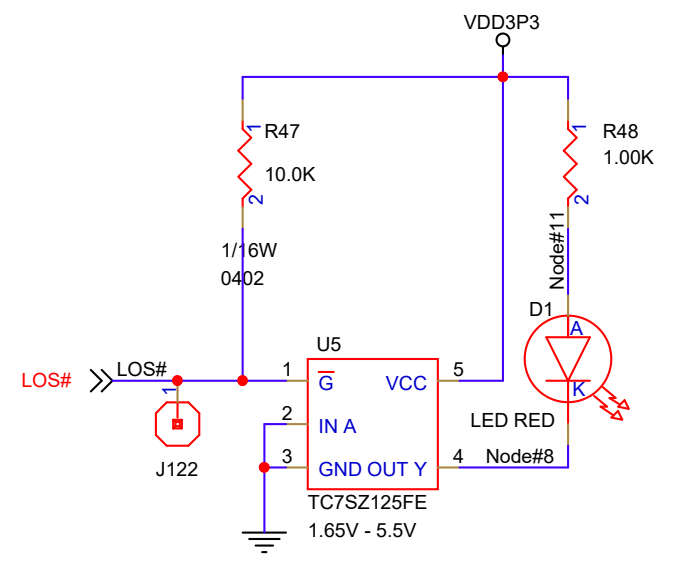
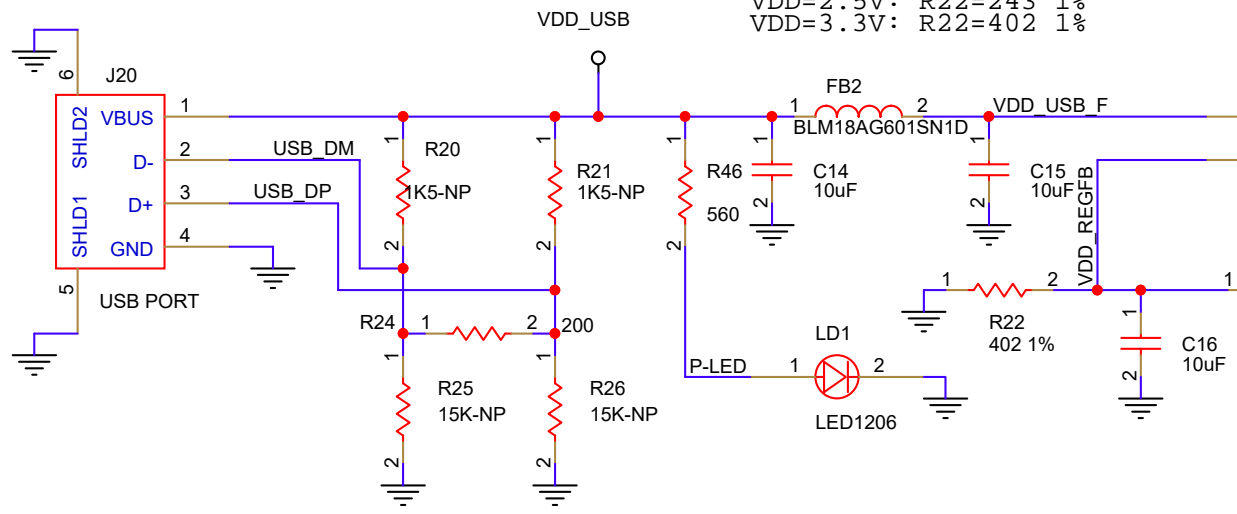
San Jose, CA

Size A	Document Number RC19202_SCH	Rev 0.7
Date: 08/09/2021		Sheet 1 of 1



12 INCH LONG 100 OHM DIFFERENTIAL TRACES

R22 Values:
 VDD=1.5V: R22=1.49.9
 VDD=1.8V: R22=107 1%
 VDD=2.5V: R22=243 1%
 VDD=3.3V: R22=402 1%



Title		
<Title>		
Size A	Document Number	Rev
	<Doc>	<Rev Co
Date:	08/04/2021	Sheet 1 of 1