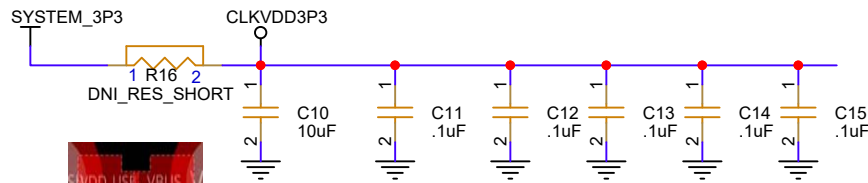
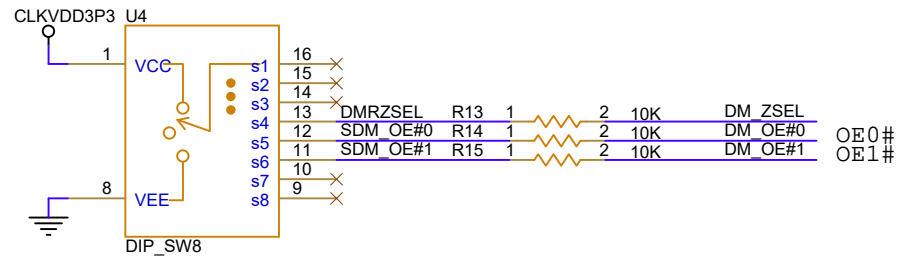


NORMALLY HSCL CLOCKS ARE DIRECTLY CONNECTED TO THE CLOCK SOURCE. NO TERMINATION IS NEEDED.

Default Jumper Settings:  
U4: All switches at center position



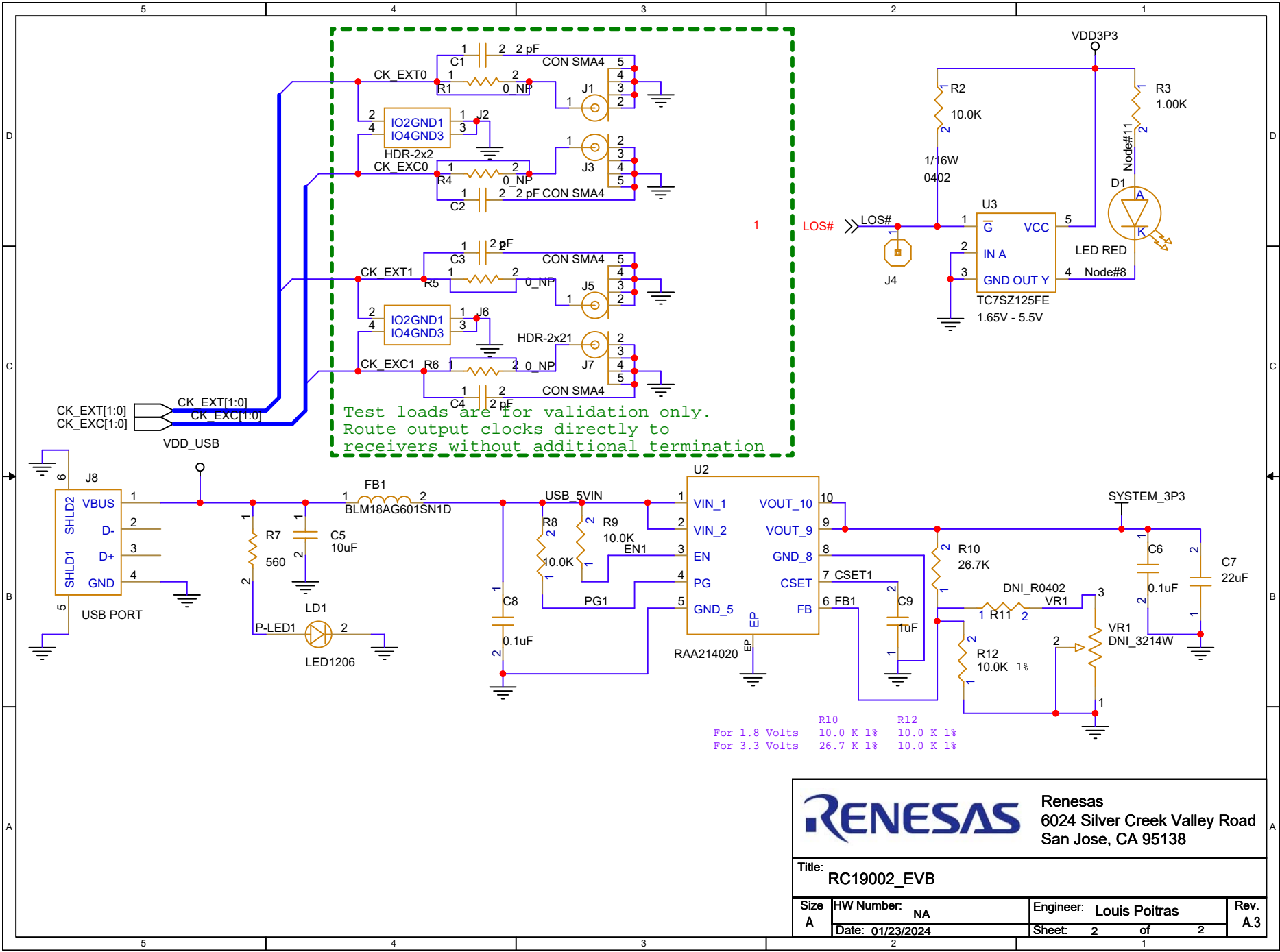
Example of shared resistor. Placed between pins on a two pin header

**RENESAS**

Renesas  
6024 Silver Creek Valley Road  
San Jose, CA 95138

Title: RC19002\_EVB

Size A	HW Number: NA	Engineer: Louis Poitras	Rev. A.3
	Date: 01/23/2024	Sheet: 1 of 2	



**RENESAS** Renesas  
6024 Silver Creek Valley Road  
San Jose, CA 95138

Title: RC19002\_EVB

Size A	HW Number: NA	Engineer: Louis Poitras	Rev. A.3
	Date: 01/23/2024	Sheet: 2 of 2	