

RA6T1 CPU Card
(RTK0EMXA170C00000BJ)
Schematic

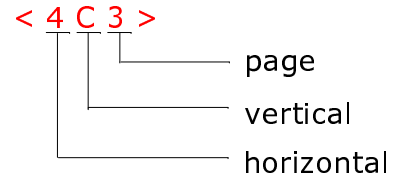
- 01 : Contents
- 02 : MCU
- 03 : Debugging I/F
- 04 : Inverter connector
- 05 : COM, Sensor I/F
- 06 : History

Supplementary explanation :

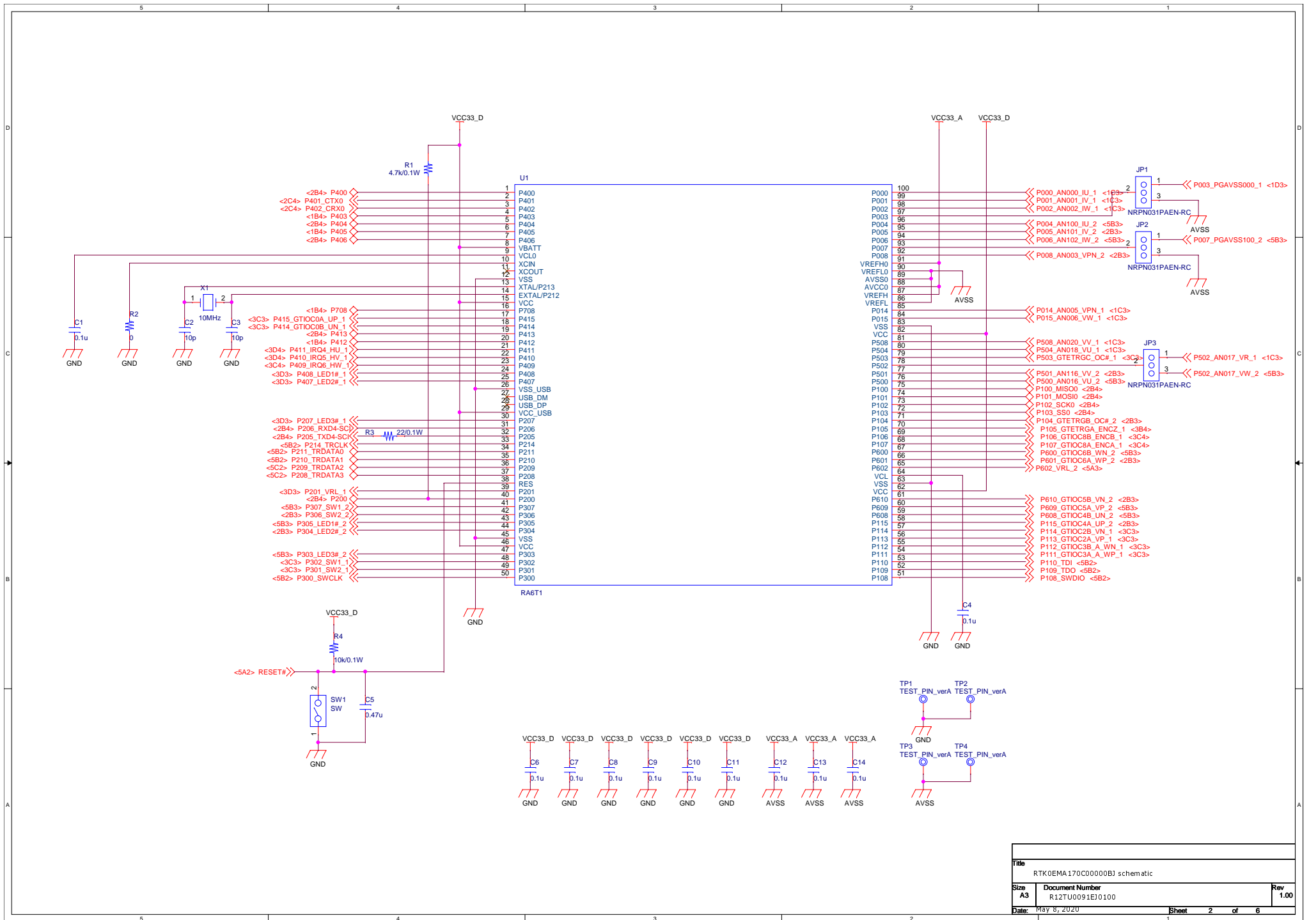
DNF : unmounted part

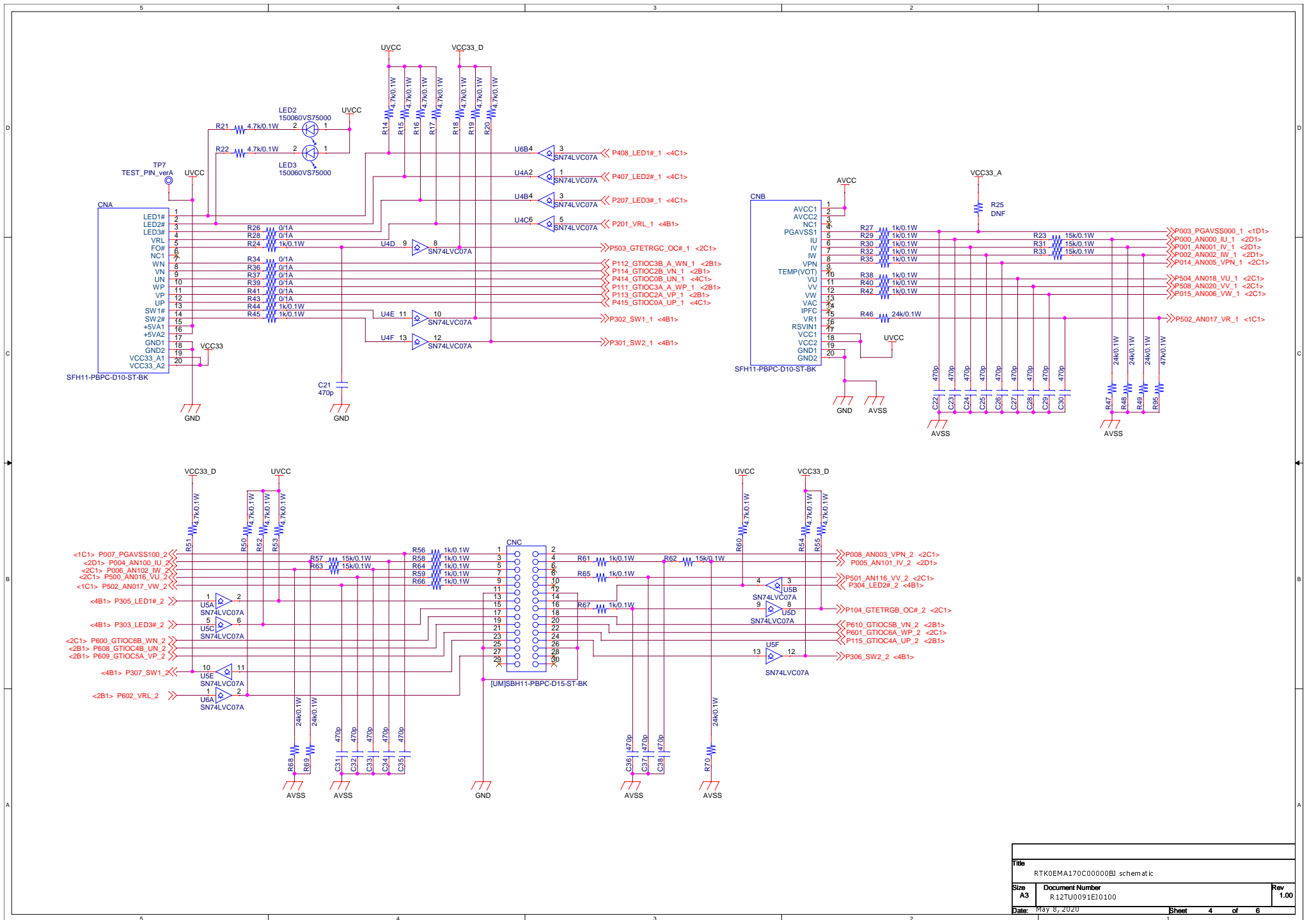
Access point : <horizontal, vertical, page>

Ex.

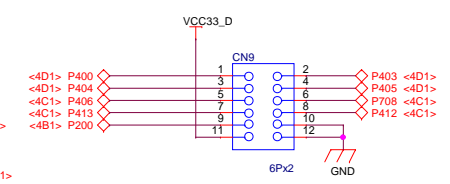
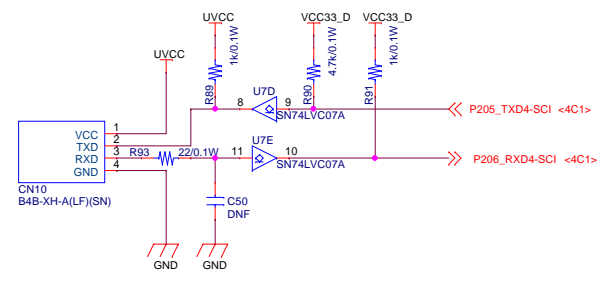
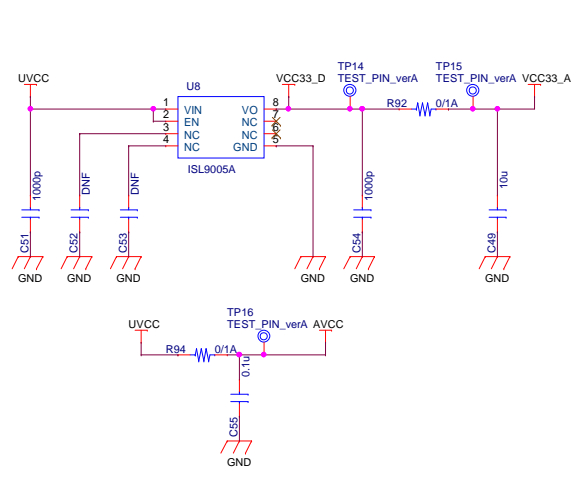
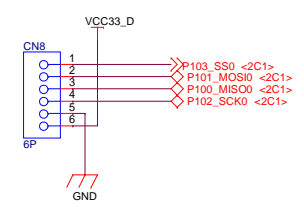
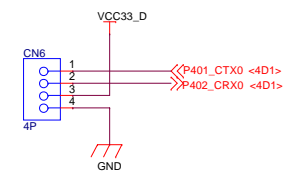
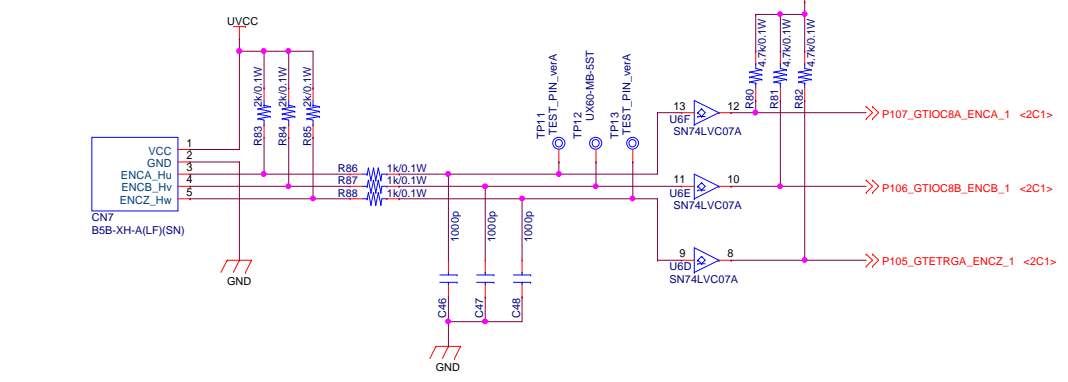
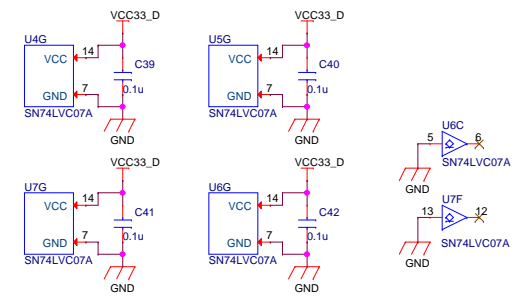
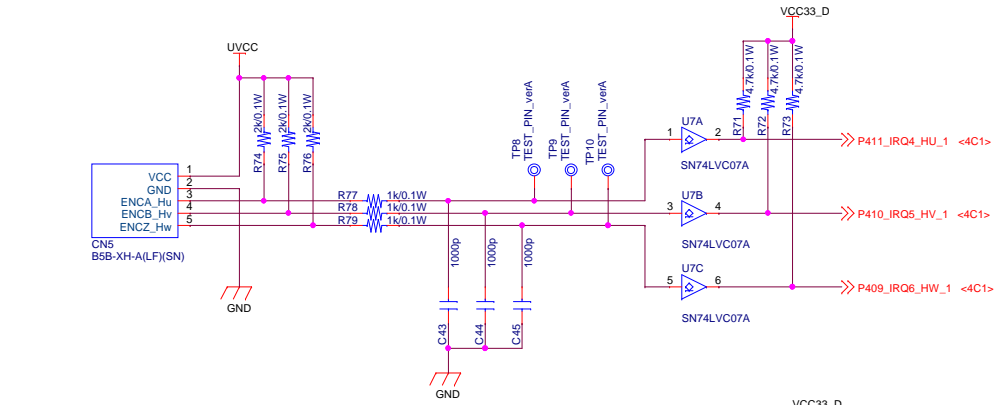


Title		
RTK0EMA170C00000BJ schematic		
Size	Document Number	Rev
A3	R12TU0091EJ0100	1.00
Date:	May 8, 2020	Sheet 1 of 6





Title		
RTK0EMA170C00000B0 schematic		
Size	Document Number	Rev
A3	R12TU0091EJ0100	1.00
Date:	May 8, 2020	Sheet 4 of 6



Title		
RTK0EMA170C00000B0 schematics		
Size	Document Number	Rev
A3	R.12TU0091EJ0100	1.00
Date:	May 8, 2020	Sheet 5 of 6

History

Rev.	Date	Page	Summary
1.00	2020/5/8	—	First edition

Title		
RTK0EMA170C00000BJ schematic		
Size	Document Number	Rev
A3	R12TU0091EJ0100	1.00
Date:	May 8, 2020	Sheet 6 of 6