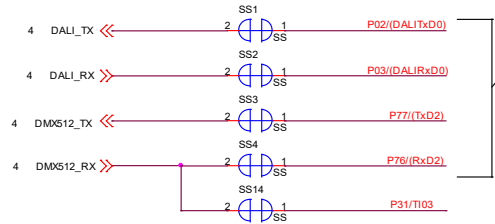
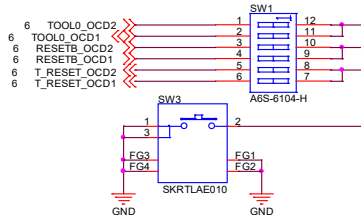


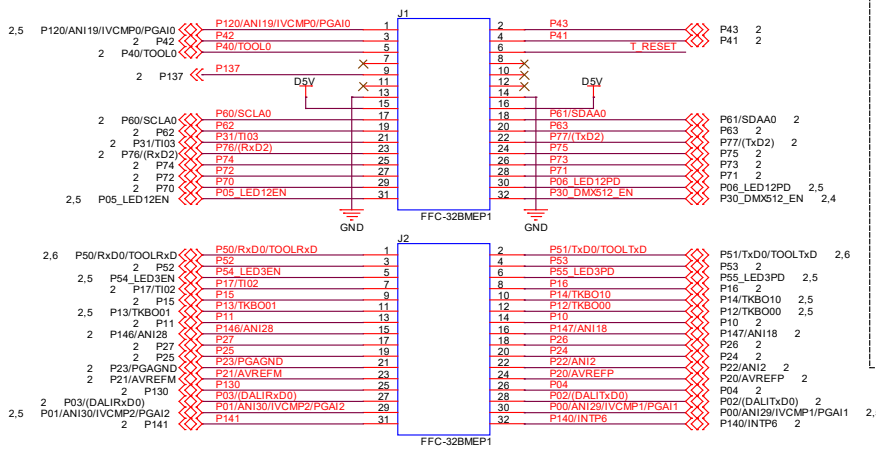
Interface Select



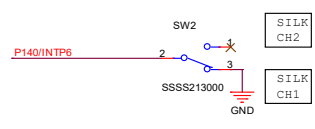
In case of using Arduino UNO R3 Interface, SS1-SS4 is cut.



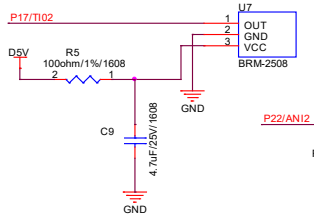
External Interface



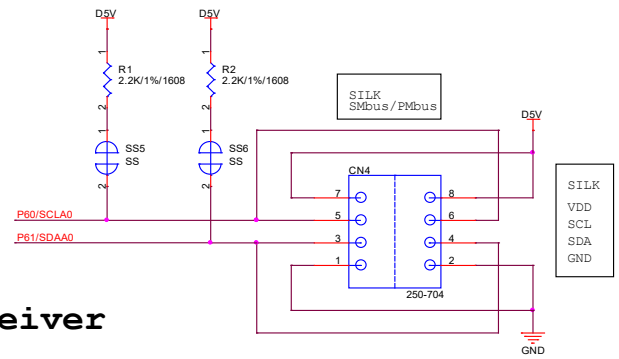
IR CH Select



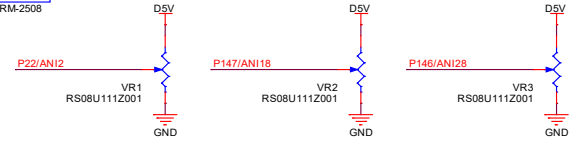
IR Receiver



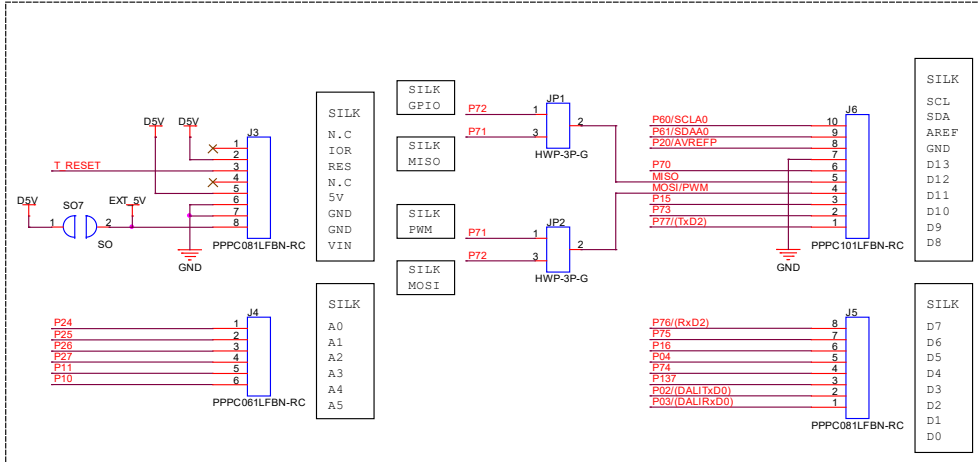
SMbus/PMbus Interface

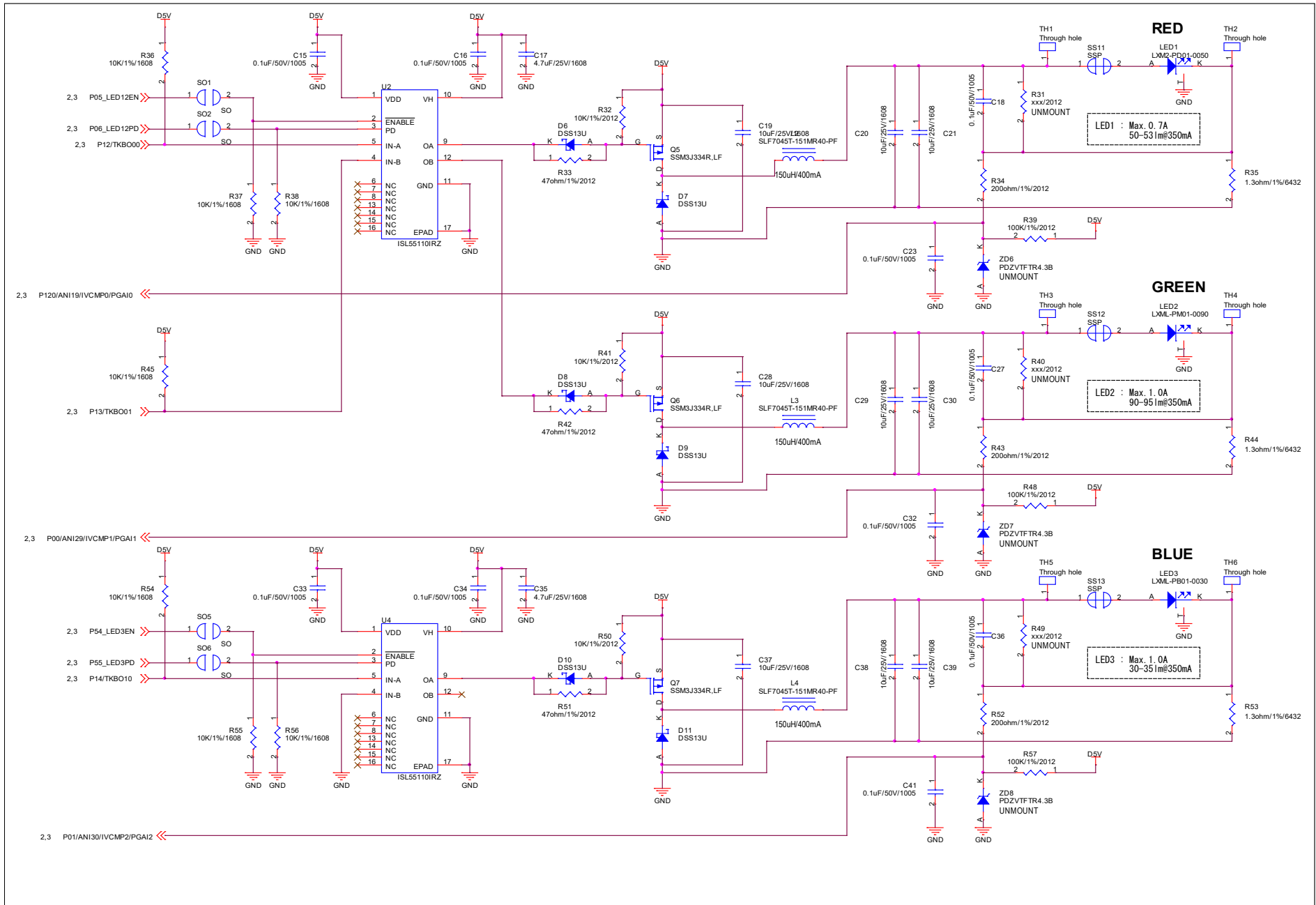


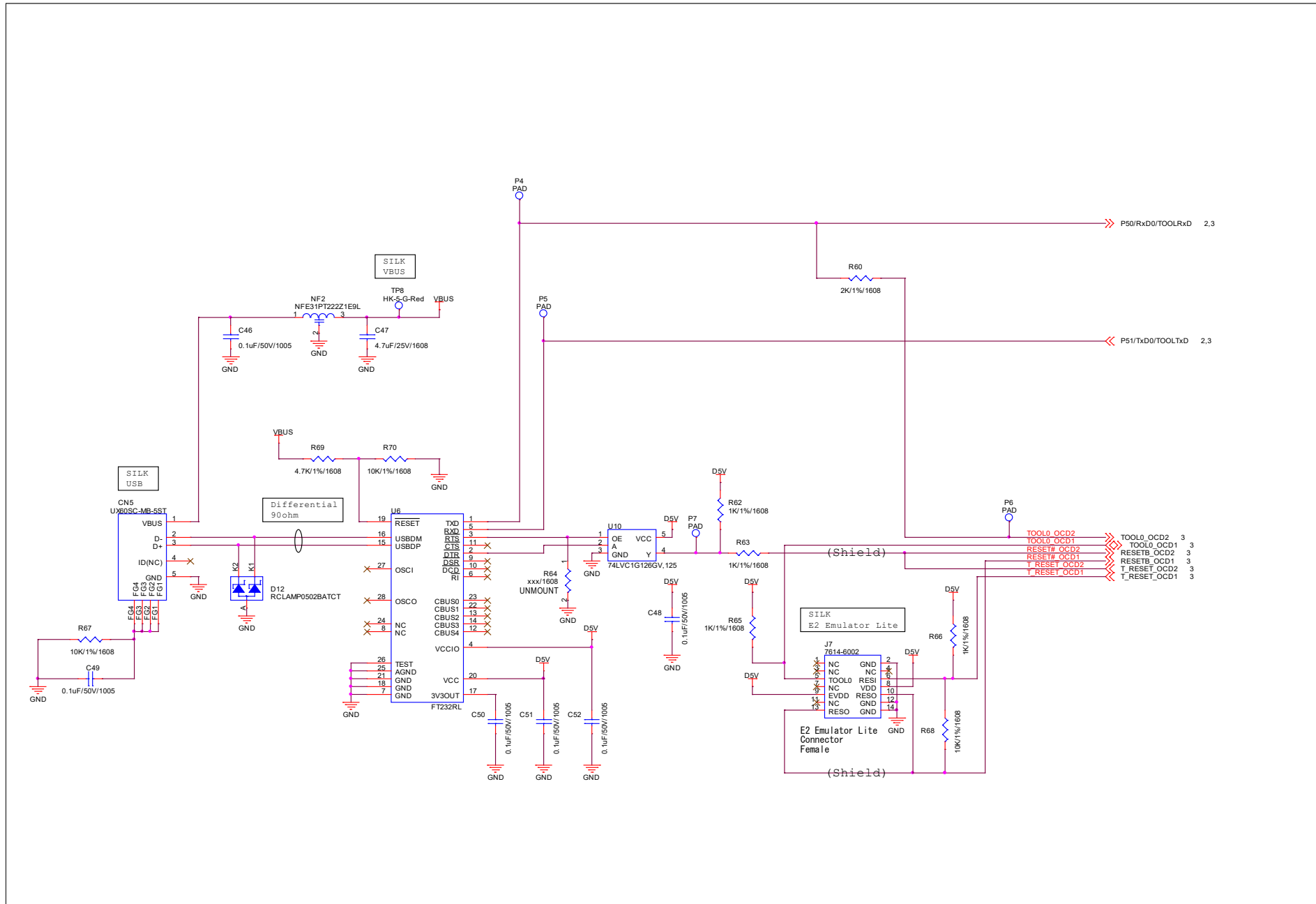
Dimming Volume



Arduino UNO R3 Interface







Revision History	R12TU0260EJ0100 RTK7RLG240P00000BJ Schematics
------------------	---

Rev.	Date	Description	
		Page	Summary
1.00	11 th , Sep., 23	—	First Edition issued