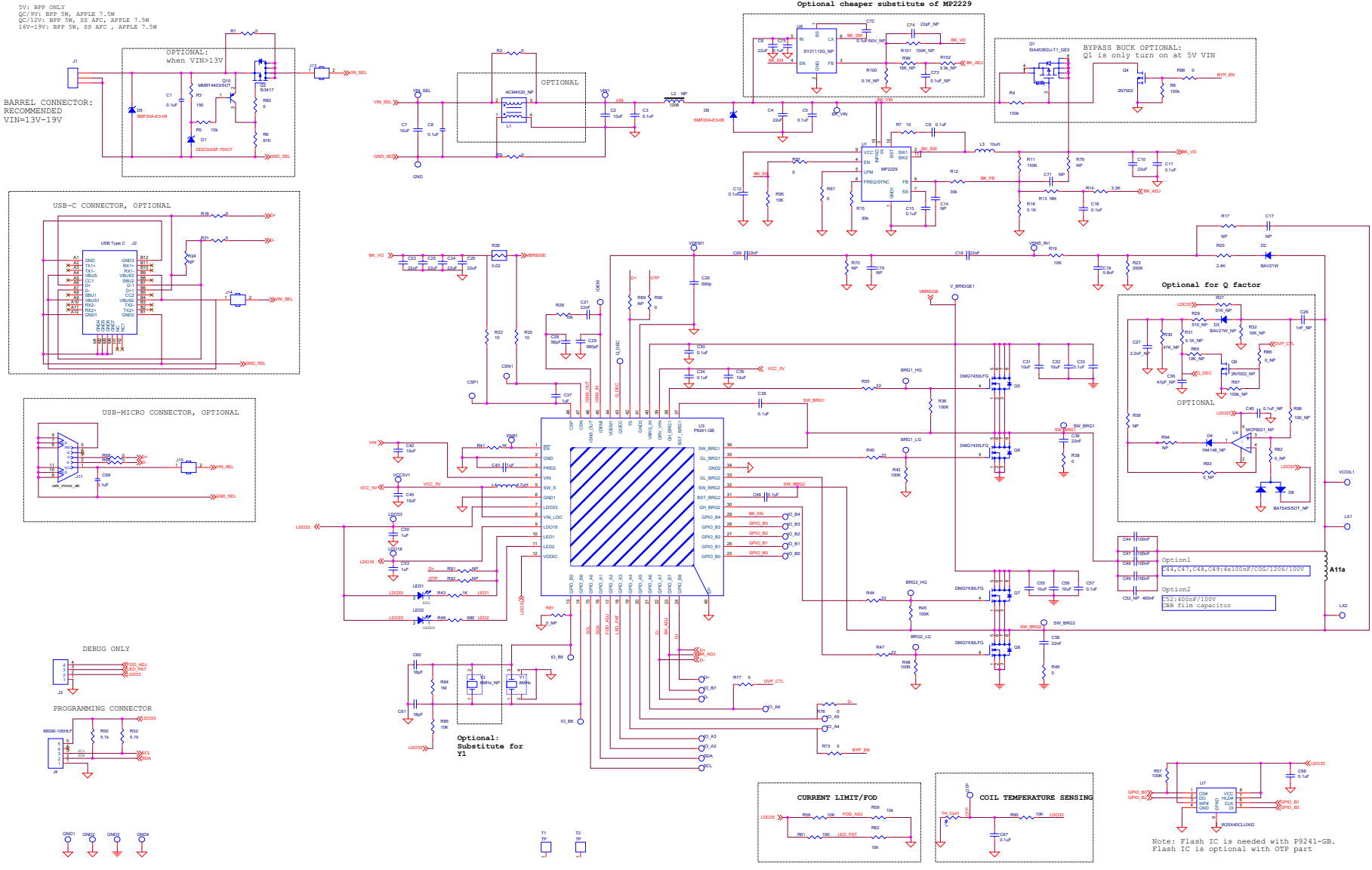


IDT P9241-GB A11a DEMO SCHEMATIC V1P3



IDT
Integrated Device Technology

THIS DOCUMENT CONTAINS INFORMATION PROPRIETARY TO Integrated Device Technology, Inc. (IDT). USE OR DISCLOSURE WITHOUT THE WRITTEN PERMISSION OF AN OFFICER OF IDT IS EXPRESSLY FORBIDDEN.

Doc#	P9241-GB A11a DEMO SCHEMATIC V1P3
Rev	1.0
Date	Wednesday, February 13, 2014

Note: Flash IC is needed with P9241-GB. Flash IC is optional with CFP part.