


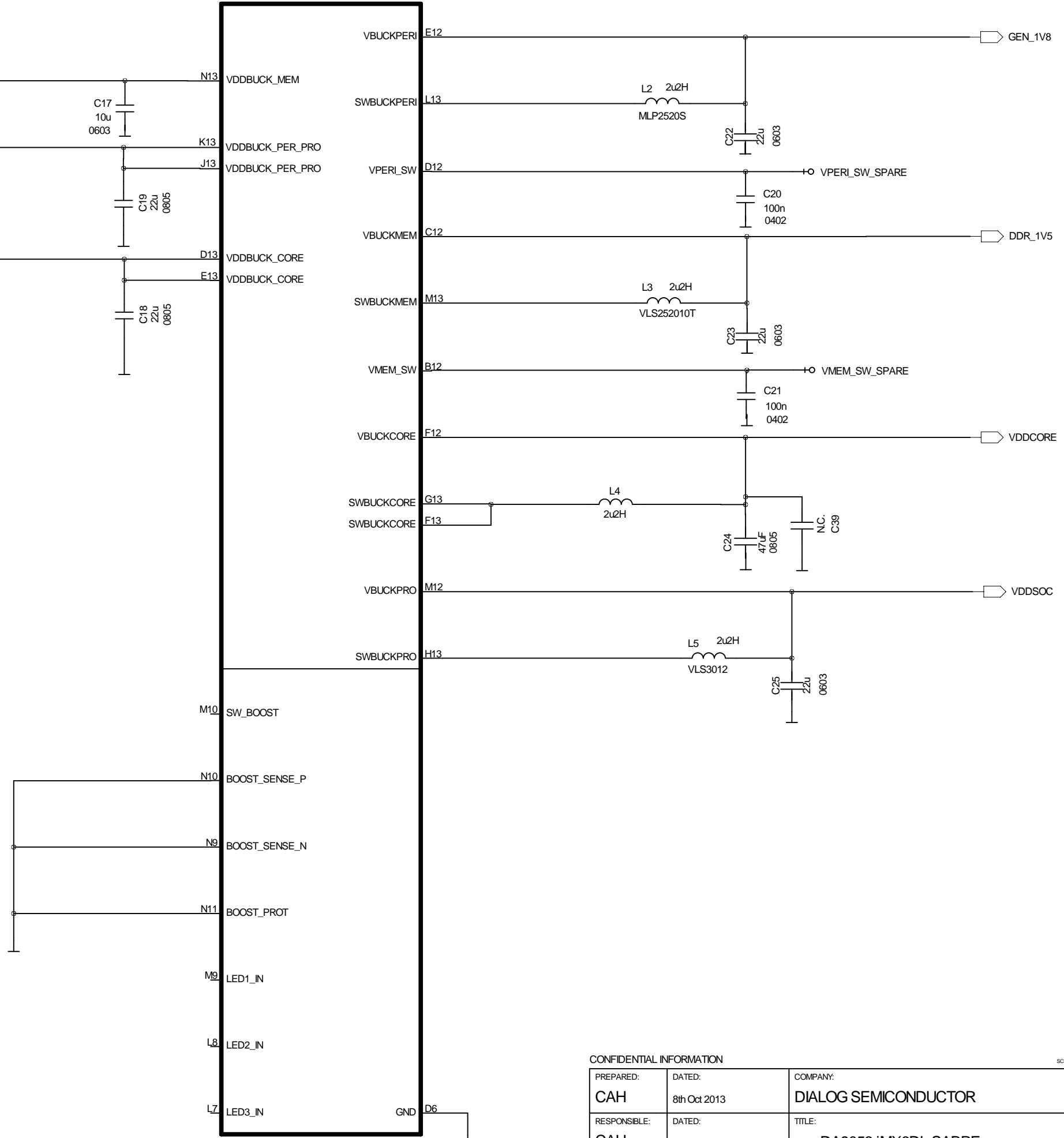
DA9053

CONFIDENTIAL INFORMATION

| | | | | |
|---------------------|------------------------|----------------------------------|---------------------------------------------------------------------------------------|-----------------|
| PREPARED: CAH | DATED: 8th Oct 2013 | COMPANY: DIALOG SEMICONDUCTOR |  | |
| RESPONSIBLE: CAH | DATED: 8th Oct 2013 | TITLE: DA9053 iMX6DL SABRE | | |
| SHEET NAME: LDO | | DRAWING NO: 44-179-115-09-A | REV: 1 | PAGE: 1 of 6 |

SCHEMATIC TEMPLATE REV PA1 (Mar 13, 2002) DIALOG DOCUMENT NUMBER 31-902-03

[1.3.5] VDDOUT



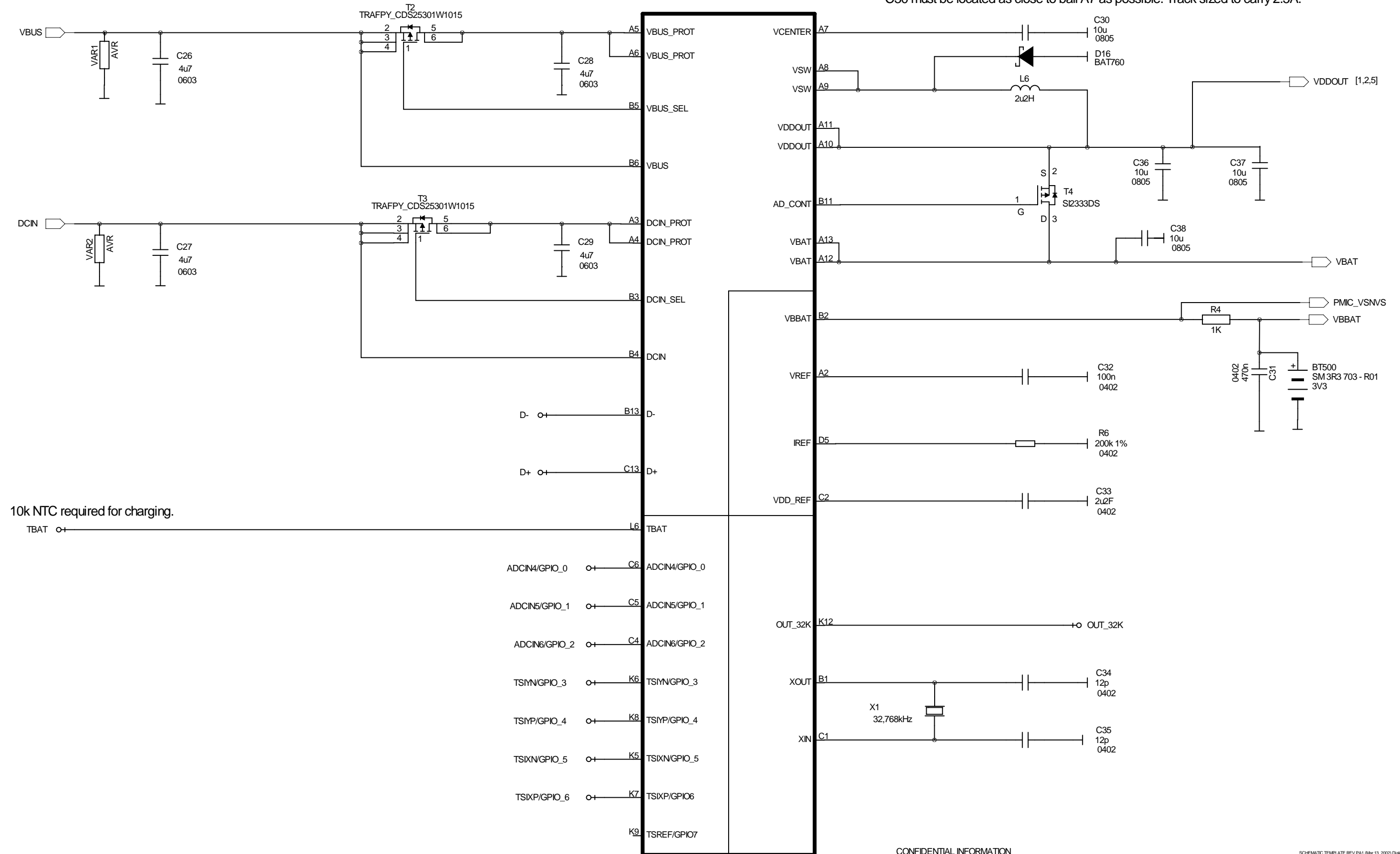
U1-B
DA9053

CONFIDENTIAL INFORMATION

SCHEMATIC TEMPLATE REV PA1 (Mar 13, 2002) Dialog doc number 31-902-03

| | | | |
|--------------------------------------------|------------------------|-----------------------------------------|------------------------|
| PREPARED: CAH | DATED: 8th Oct 2013 | COMPANY: DIALOG SEMICONDUCTOR | |
| RESPONSIBLE: CAH | DATED: 8th Oct 2013 | TITLE: DA9053 iMX6DL SABRE | |
| SHEET NAME: BUCK_BOOST_BACKLIGHT | | DRAWING NO: 44-179-115-09-A | REV: 1 |
| | | | PAGE: 2 of 6 |


C30 must be located as close to ball A7 as possible. Track sized to carry 2.5A.



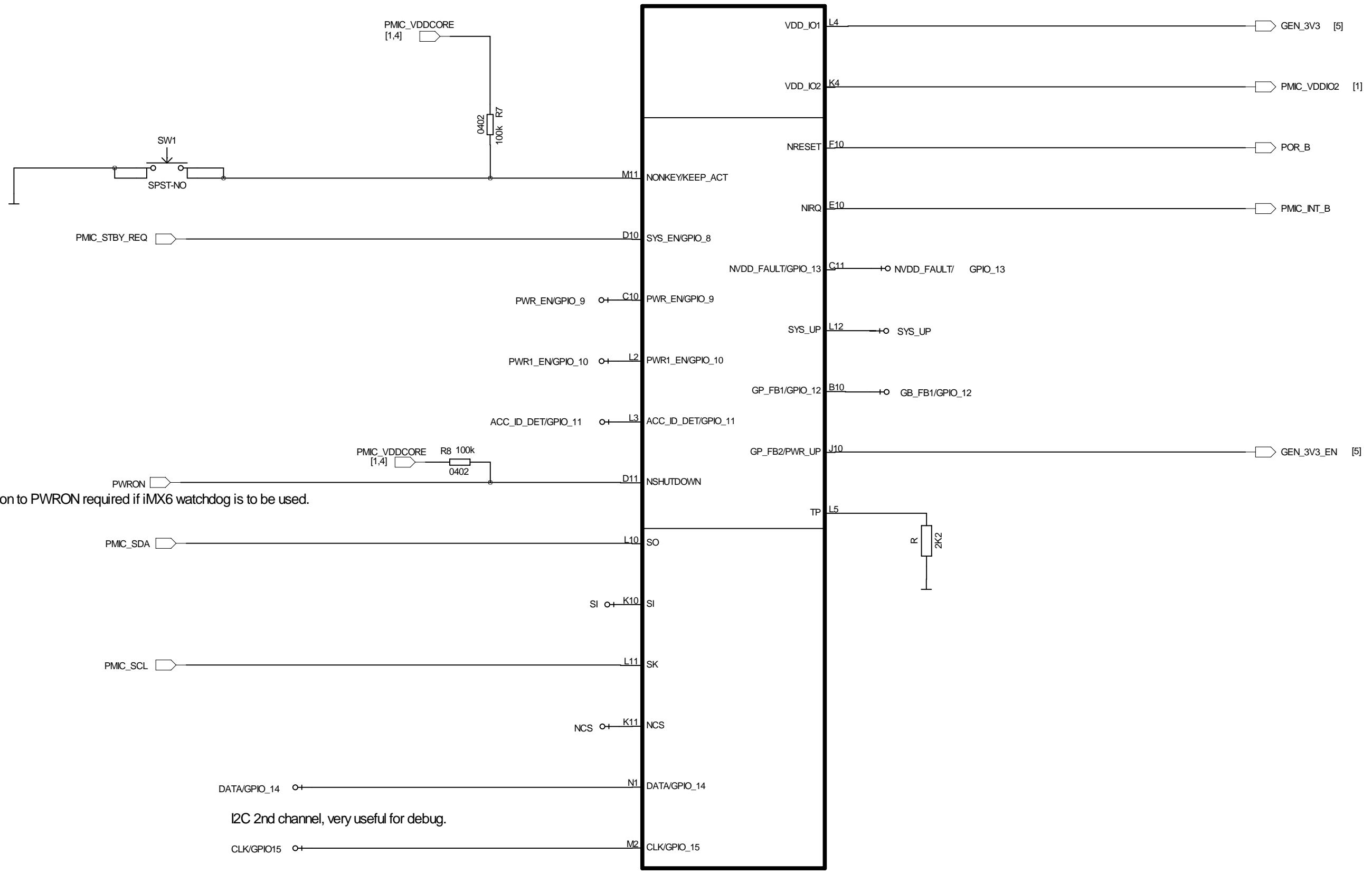
10k NTC required for charging.

U1-C
DA9053

CONFIDENTIAL INFORMATION

| | | | |
|--------------------------------|--------------------------------|----------------------------------|---------------------------------------------------------------------------------------|
| PREPARED: CAH | DATED: 8th Oct 2013 | COMPANY: DIALOG SEMICONDUCTOR |  |
| RESPONSIBLE: CAH | DATED: 8th Oct 2013 | TITLE: DA9053 IMX6DL SABRE | |
| SHEET NAME: CHARGER_ADC_REF | DRAWING NO: 44-179-115-09-A | REV: 1 | PAGE: 3 of 6 |

SCHEMATIC TEMPLATE REV PA1 (Mar 13, 2002) Dialog doc number 31-902-03



Connection to PWRON required if iMX6 watchdog is to be used.

I2C 2nd channel, very useful for debug.

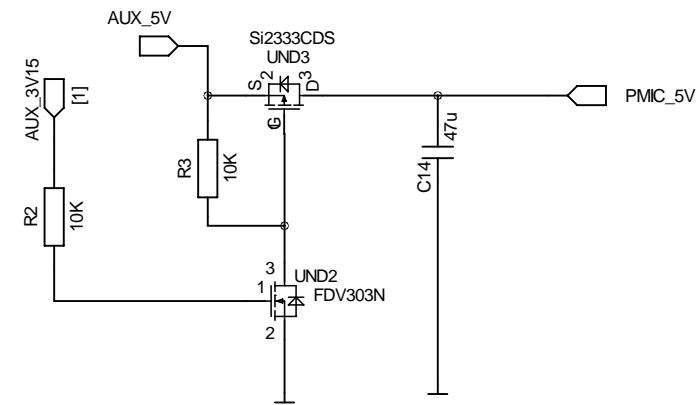
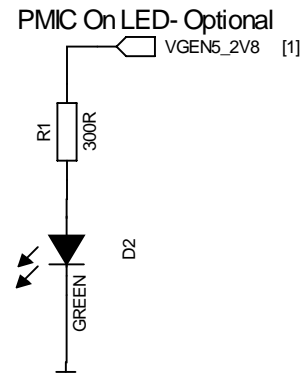
U1-D
DA9053

CONFIDENTIAL INFORMATION

SCHEMATIC TEMPLATE REV PA1 (Mar 13, 2002) Dialog doc number 31-902-03

| | | | |
|------------------------|------------------------|----------------------------------|-----------|
| PREPARED: CAH | DATED: 8th Oct 2013 | COMPANY: DIALOG SEMICONDUCTOR | |
| RESPONSIBLE: CAH | DATED: 8th Oct 2013 | TITLE: DA9053 iMX6DL SABRE | |
| SHEET NAME: DIGITAL | | DRAWING NO: 44-179-115-09-A | REV: 1 |
| | | PAGE: 4 of 6 | |

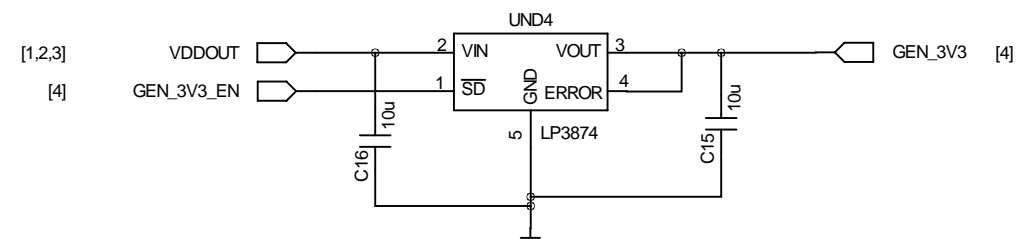




Note: this schematic uses AUX_5V for the 5V rail.

The 5V boost should be chosen to meet the max current requirements.
In batteryless applications this could be connected to the 5V input DCIN.

Ext 3V3 regulator



In this implementation an LDO has been used.
For improved efficiency this should be replaced with a buck.

CONFIDENTIAL INFORMATION

SCHEMATIC TEMPLATE REV PA1 (Mar 13, 2002) Dialog doc number 31-902-03


| | | | |
|------------------------------|------------------------|-----------------------------------------|-----------|
| PREPARED: CAH | DATED: 8th Oct 2013 | COMPANY: DIALOG SEMICONDUCTOR | |
| RESPONSIBLE: CAH | DATED: 8th Oct 2013 | TITLE: DA9053 iMX6DL SABRE | |
| SHEET NAME: EXTRAS | | DRAWING NO: 44-179-115-09-A | REV: 1 |
| | | PAGE: 5 of 6 | |



| REV | WHEN | WHO | WHAT |
|-----|---------------|-----|--------------------------------------------------------------|
| A | 08th Oct 2013 | CAH | Initial schematic for use with iMX6DL SABRE board schematic. |
| | | | |
| | | | |
| | | | |
| | | | |

CONFIDENTIAL INFORMATION

SCHEMATIC TEMPLATE REV PA1 (Mar 13, 2002) DIALOG DOCUMENT NUMBER 31-902-03

| | | | | |
|------------------------------|--------------------------|----------------------------------|---------------------------------------------------------------------------------------|-----------------|
| PREPARED: CAH | DATED: 8th Oct 2013 | COMPANY: DIALOG SEMICONDUCTOR |  | |
| RESPONSIBLE: CAH | DATED: 17th June 2010 | TITLE: DA9053 iMX6DL SABRE | | |
| SHEET NAME: REVISION INFO | | DRAWING NO: 44-179-115-09-A | REV: 1 | PAGE: 6 of 6 |