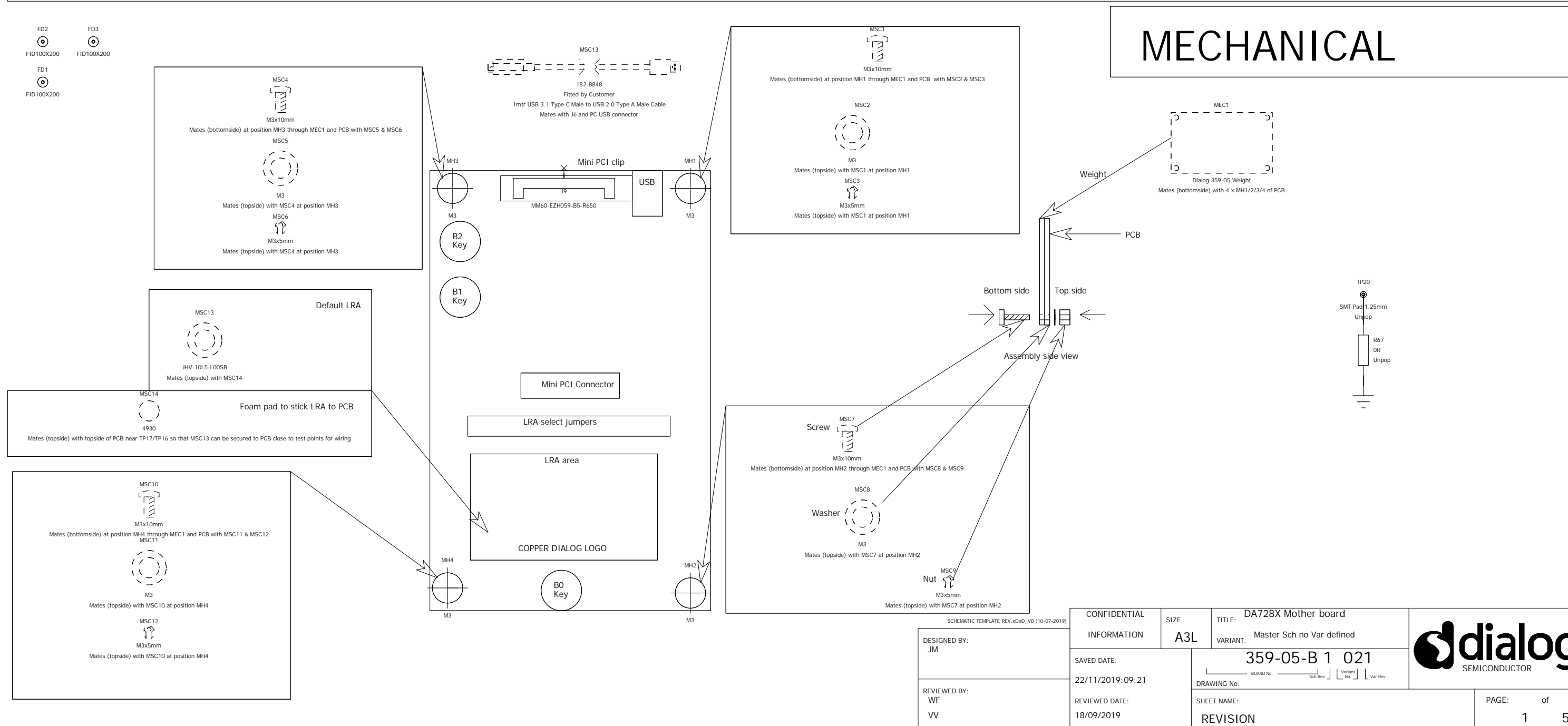


# REVISION TABLE

REV.	DATE	ENGINEER	NOTES
B1021	19/11/2019	JM	Manufactured version.

# MECHANICAL PARTS



A

B

C

D

E

F

1

1

2

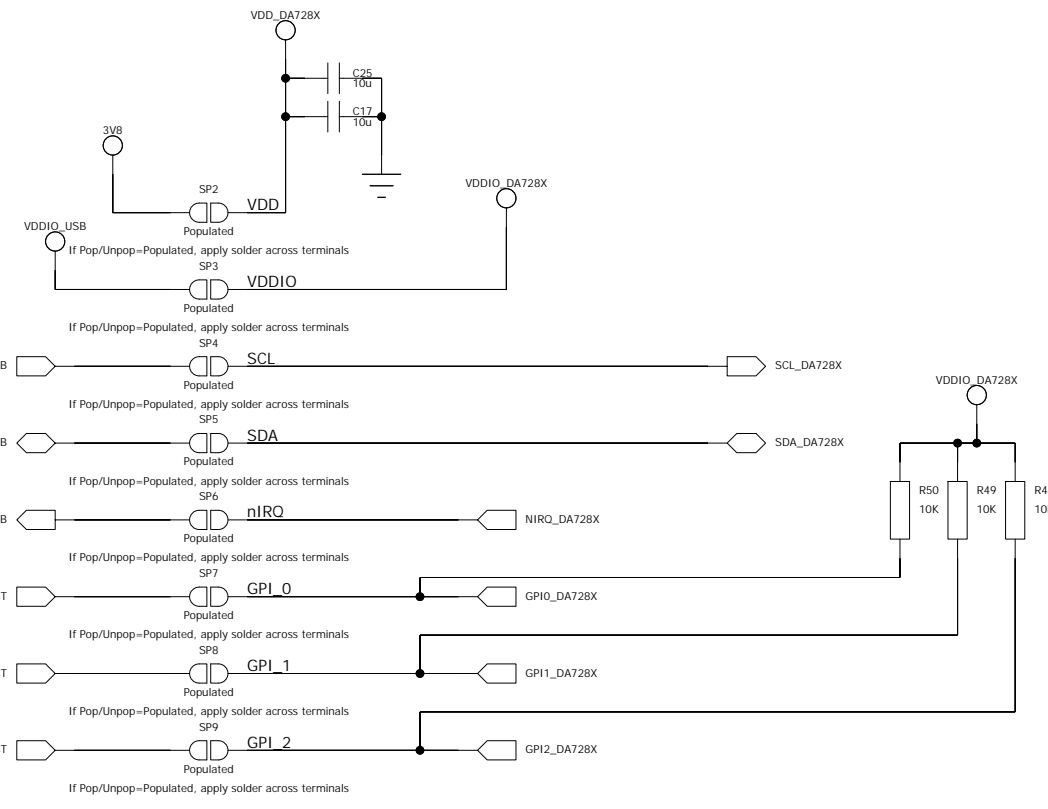
2

3

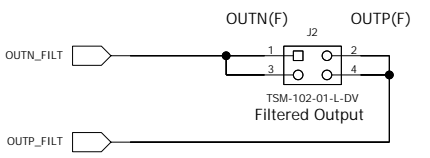
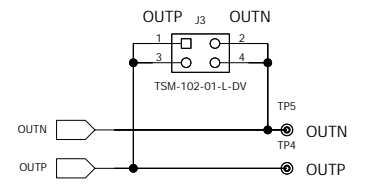
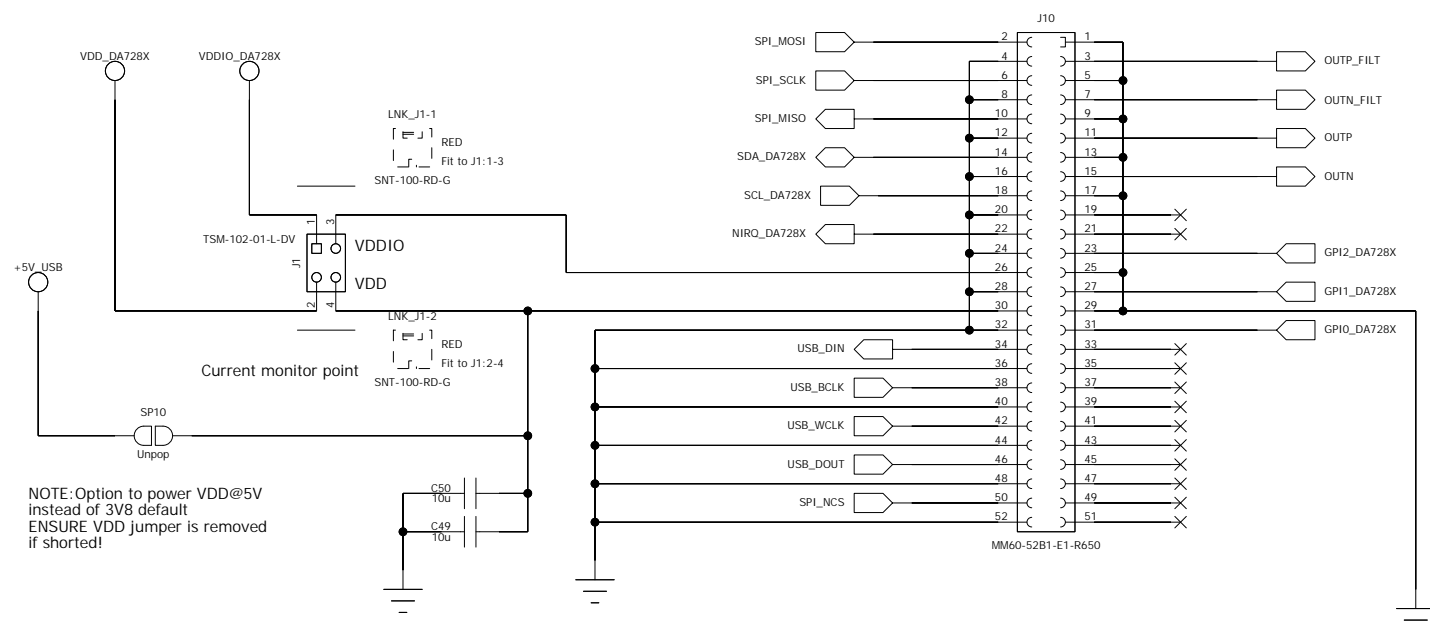
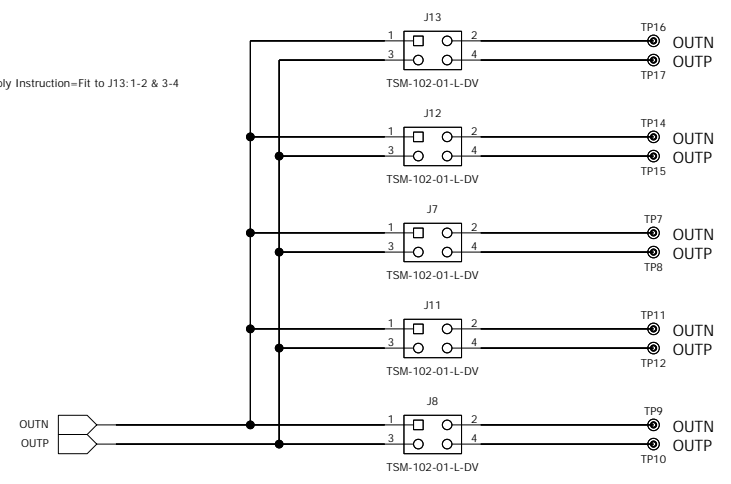
3

4

4



LNK\_J13  
BLACK  
BOM\_Assembly Instruction=Fit to J13: 1-2 & 3-4  
MNT-102-BK-G



NOTE: Option to power VDD@5V instead of 3V8 default ENSURE VDD jumper is removed if shorted!

SCHEMATIC TEMPLATE REV.xDxD_V8 (10-07-2019)		CONFIDENTIAL INFORMATION	SIZE A3L	TITLE: DA728X Mother board VARIANT: Master Sch no Var defined	
DESIGNED BY: JM	REVIEWED BY: WF VW	SAVED DATE: 19/11/2019: 14:40	REVIEWED DATE: 18/09/2019	359-05-B 1 021 BOARD No. _____ SIB Rev _____ Variant No _____ Var Rev _____	
				DRAWING No: SHEET NAME: DUT	PAGE: 2 of 5

A

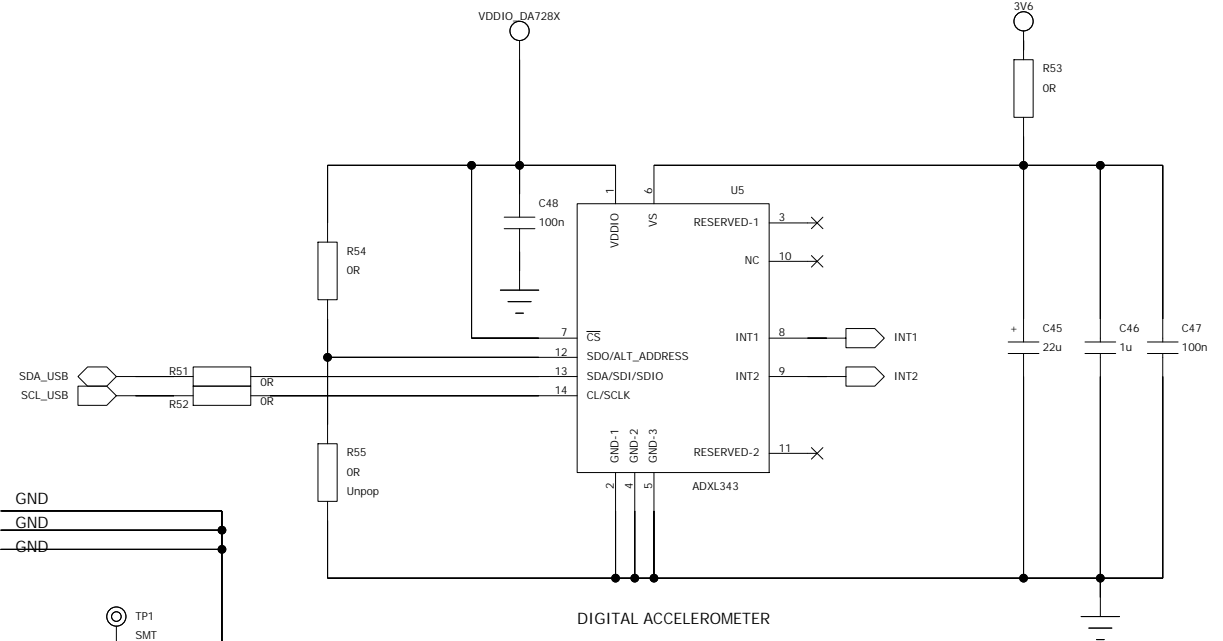
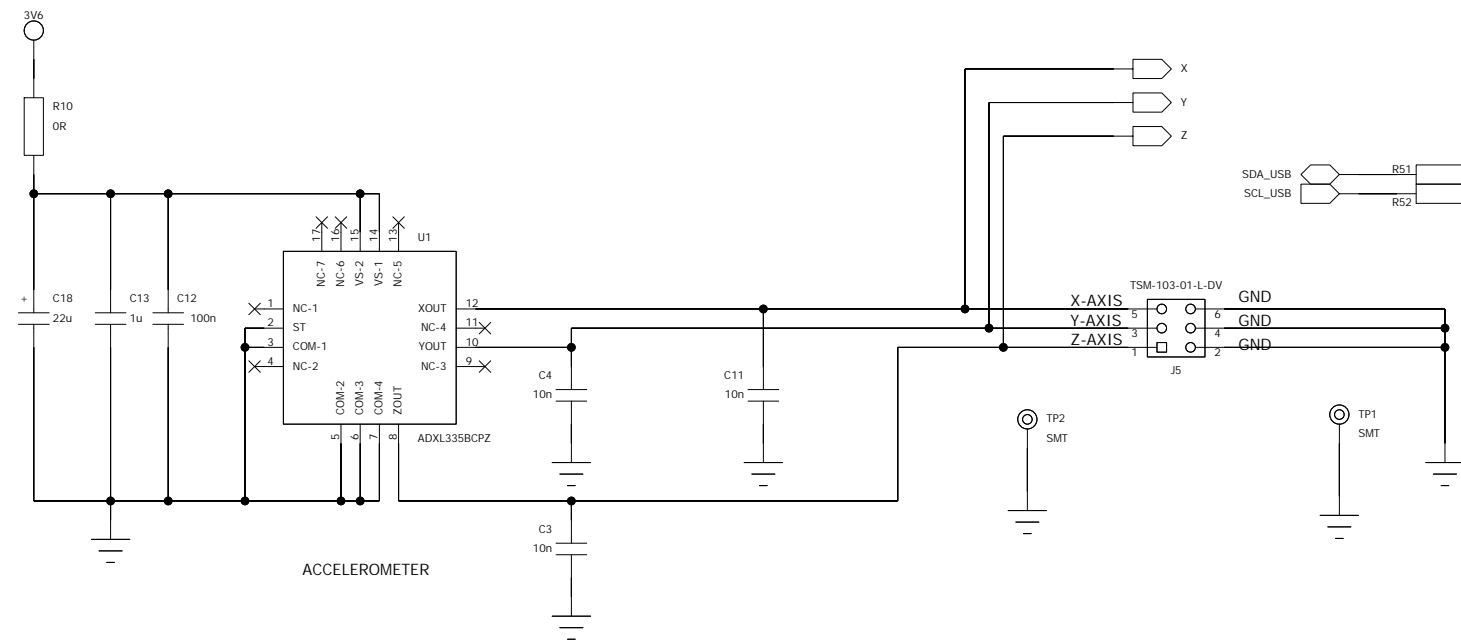
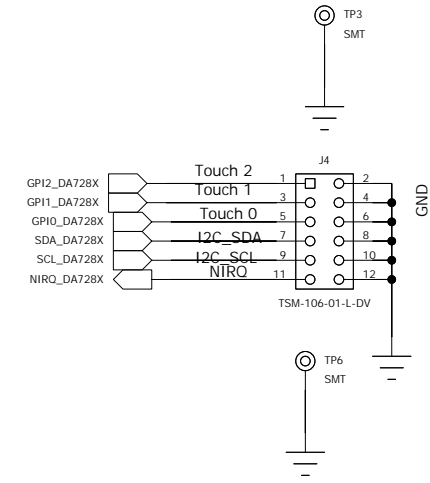
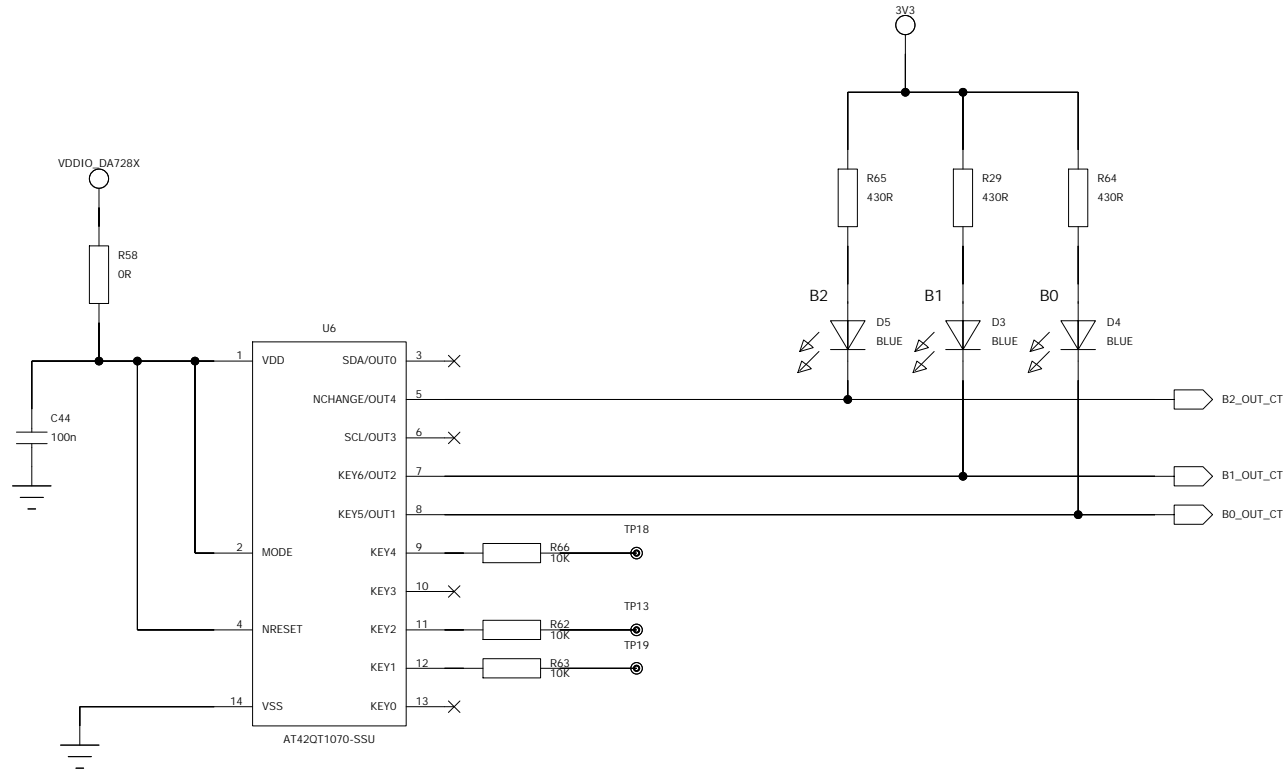
B

C

D

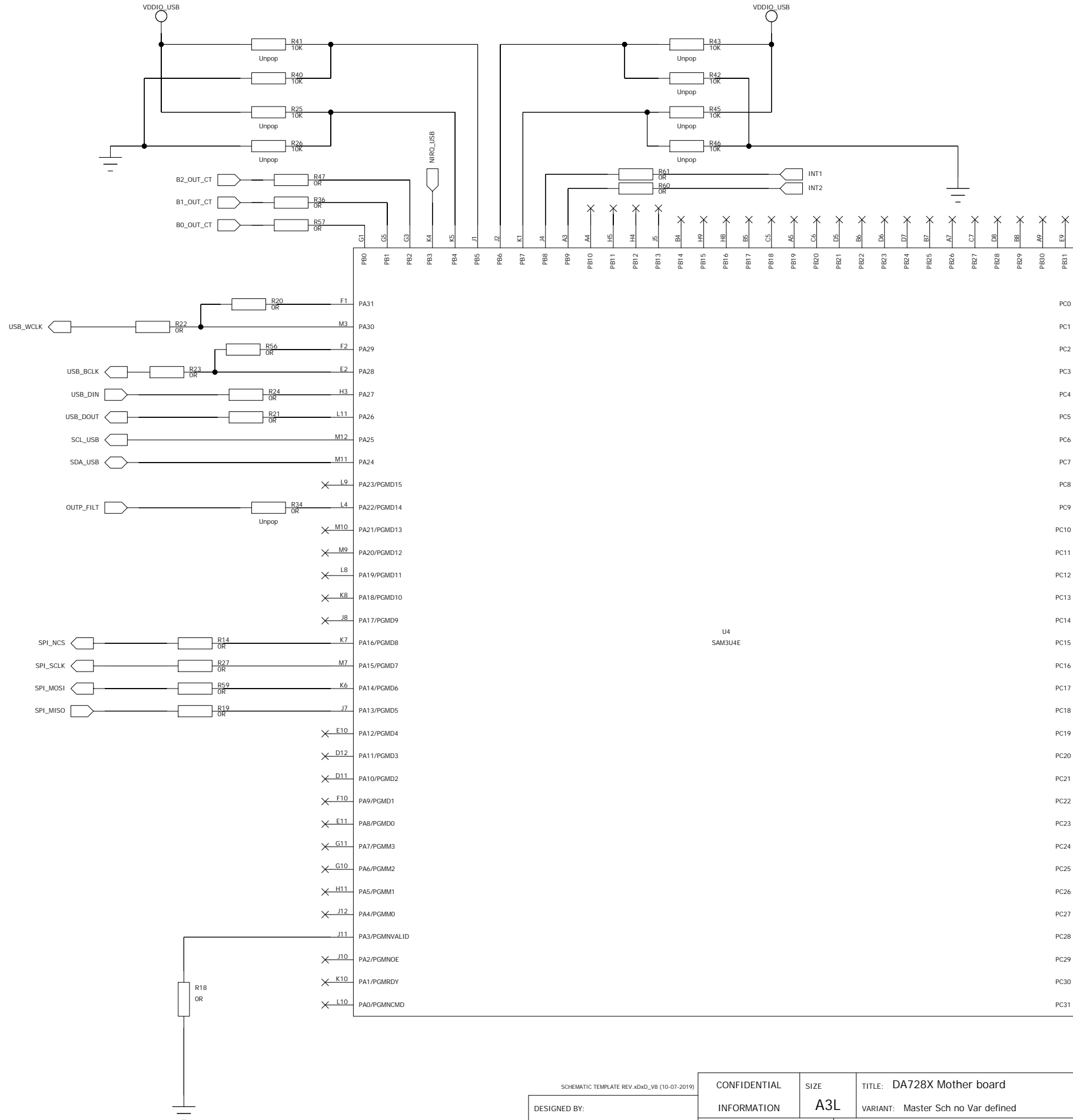
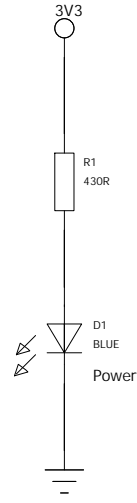
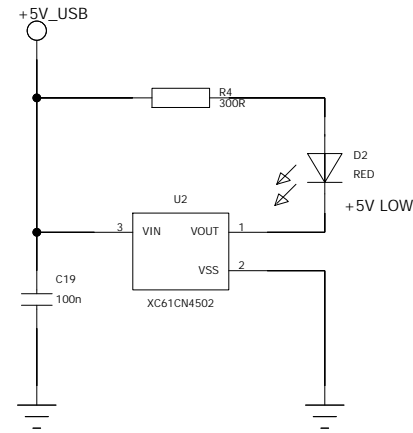
E

F



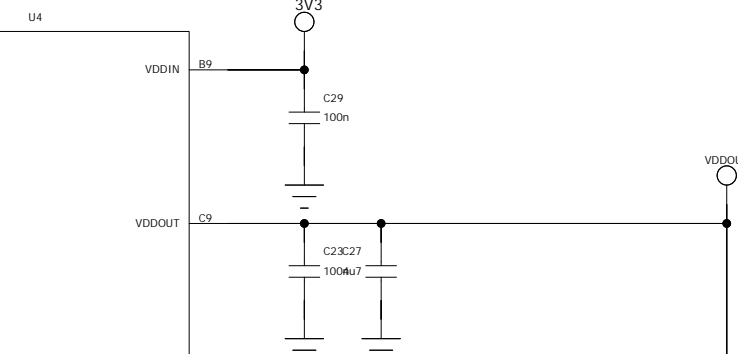
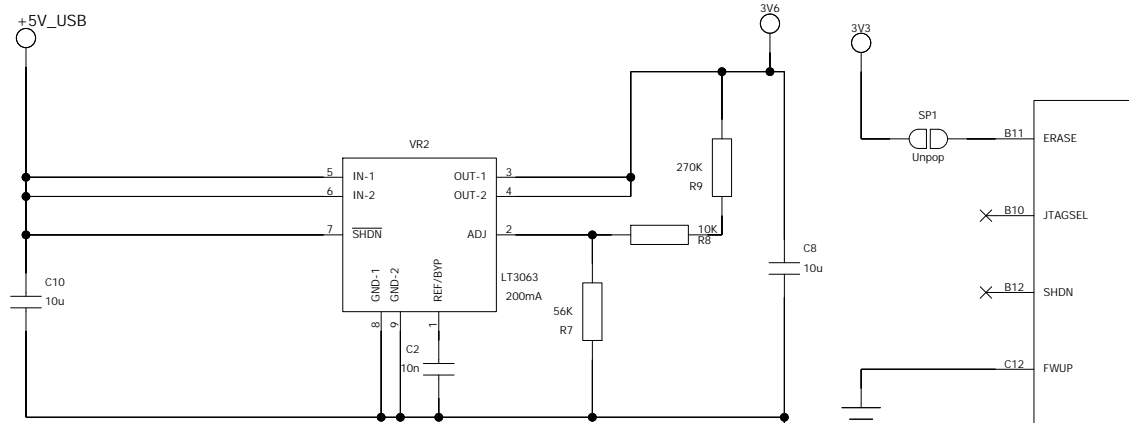
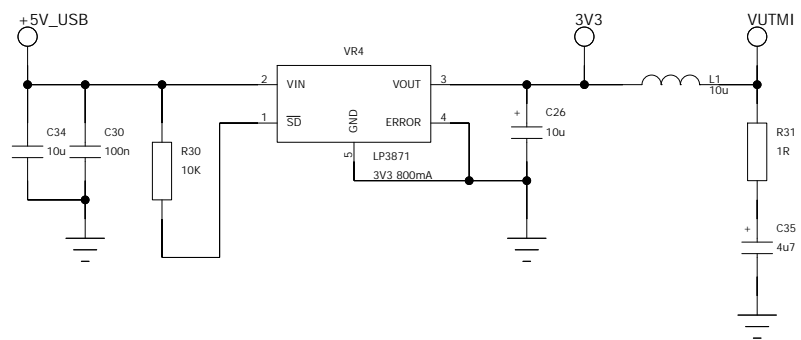
SCHEMATIC TEMPLATE REV.xDxD_V8 (10-07-2019)		CONFIDENTIAL	SIZE	TITLE: DA728X Mother board	
DESIGNED BY:	JM	INFORMATION	A3L	VARIANT: Master Sch no Var defined	
REVIEWED BY:	WF VV	SAVED DATE:	19/11/2019: 14:40	359-05-B1 021	PAGE: 3 of 5
		REVIEWED DATE:	18/09/2019	DRAWING No: CAP SENSE AND ACCEL	

# SAM3U\_IOs

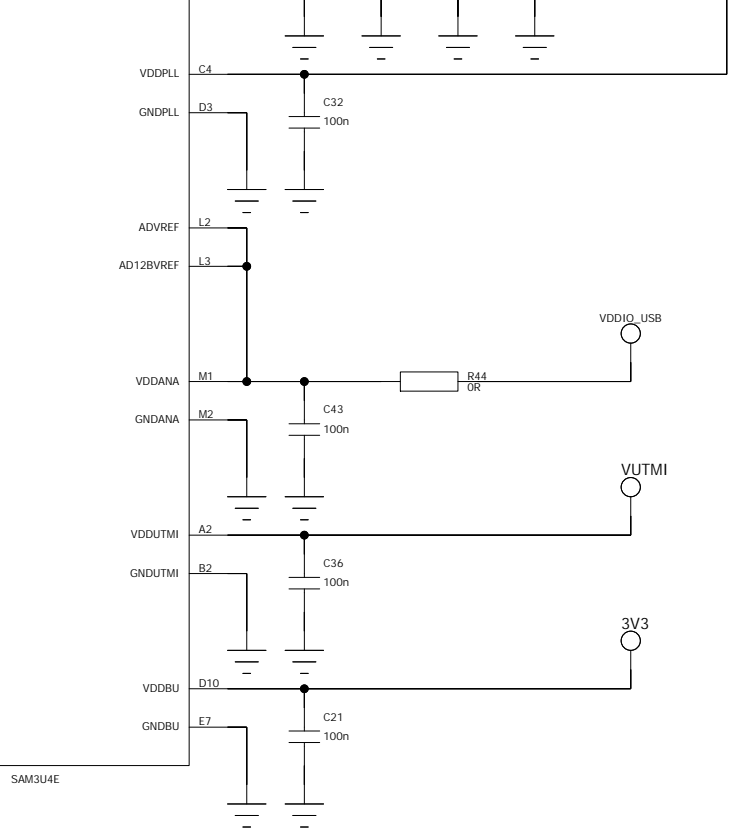
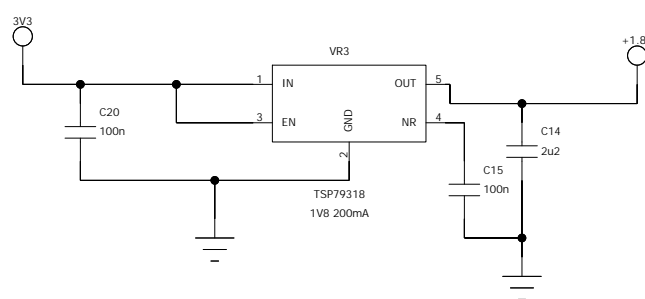
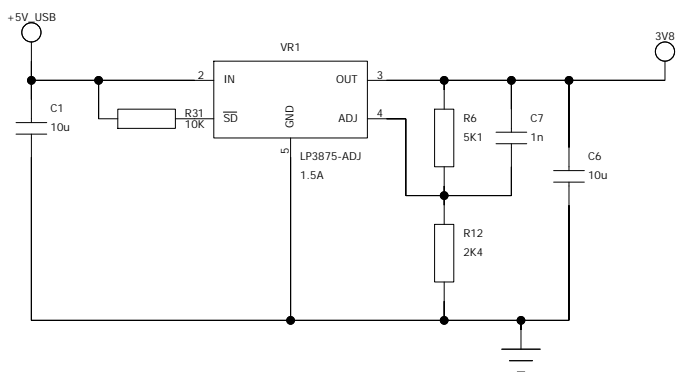
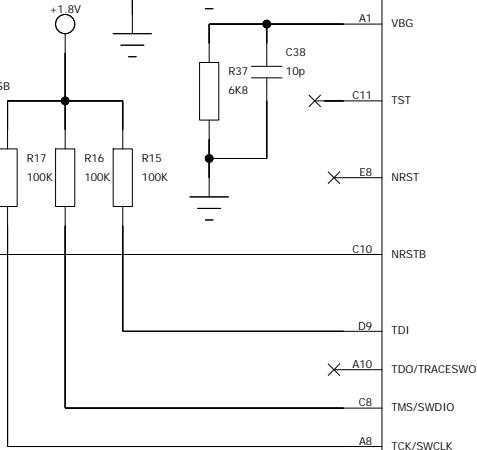
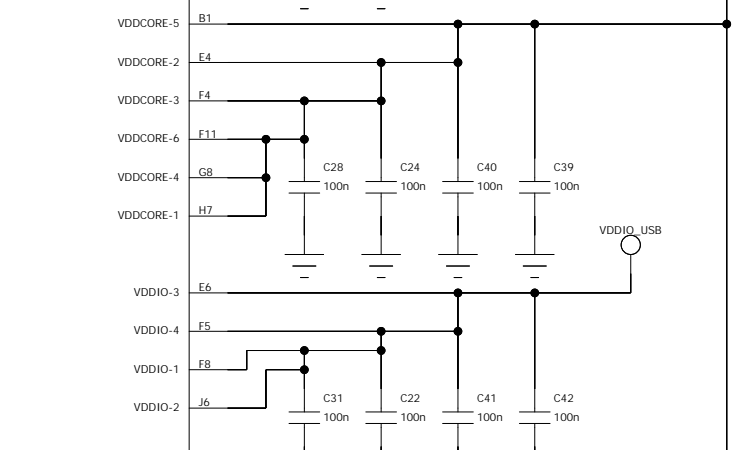
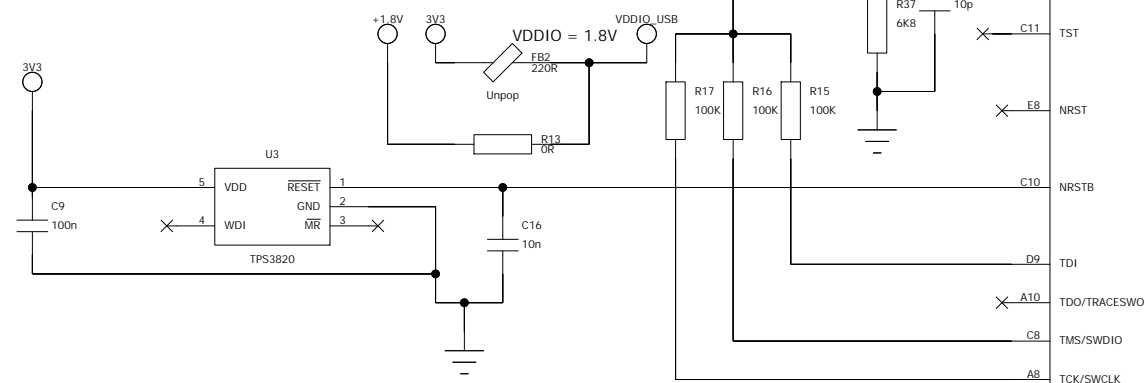
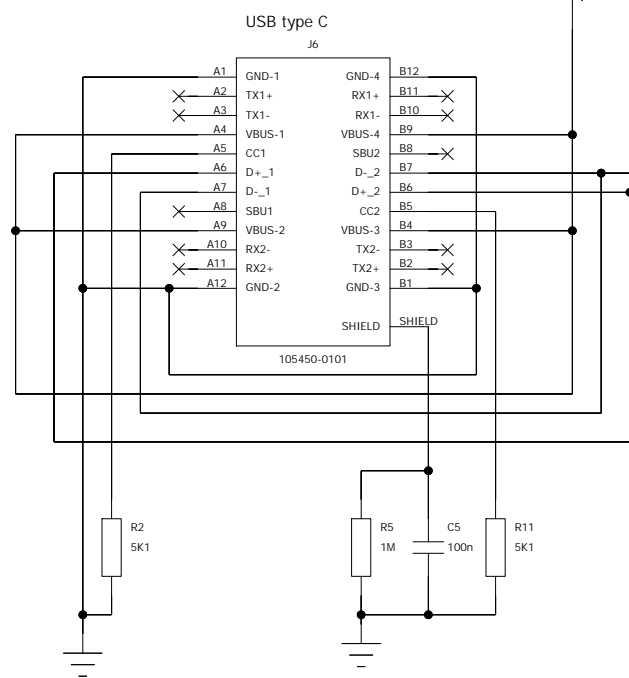


SCHMATIC TEMPLATE REV.xDxD\_V8 (10-07-2019)

DESIGNED BY: JM	CONFIDENTIAL	SIZE	TITLE: DA728X Mother board	
	INFORMATION	A3L	VARIANT: Master Sch no Var defined	
REVIEWED BY: WF VV	SAVED DATE:	359-05-B 1 021		PAGE: of 4 5
	19/11/2019: 14:40	DRAWING No: BOARD No. _____ Sub Rev. _____ Variant No. _____ Var Rev		
	REVIEWED DATE:	USB_IO		
	18/09/2019			



note: USB type C cables  
 RS 1169372 3.35 for 10+ (1m) both cables usb 2.0 not usb 3  
 RS 8950499 5.41 for 50+(2m)



SCHEMATIC TEMPLATE REV.xDxD_V8 (10-07-2019) DESIGNED BY: JM REVIEWED BY: WF VV		CONFIDENTIAL INFORMATION SIZE A3L TITLE: DA728X Mother board VARIANT: Master Sch no Var defined 359-05-B 1 021 DRAWING No: BOARD No.   SDR Rev   No.   Var Rev SHEET NAME: USB_IF	 PAGE: 5 of 5
19/11/2019: 14:40 REVIEWED DATE: 18/09/2019		VDDOUT VDDCORE-5 VDDCORE-2 VDDCORE-3 VDDCORE-6 VDDCORE-4 VDDCORE-1 VDDIO-3 VDDIO-4 VDDIO-1 VDDIO-2 VDDPLL GNDPLL ADVREF AD12BVREF VDDANA GNDANA VDDTMI GNDTMI VDDBU GND	VDDIO_USB VUTMI 3V3