

A B C D E F

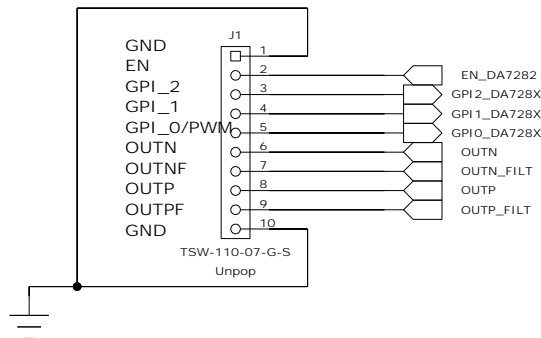
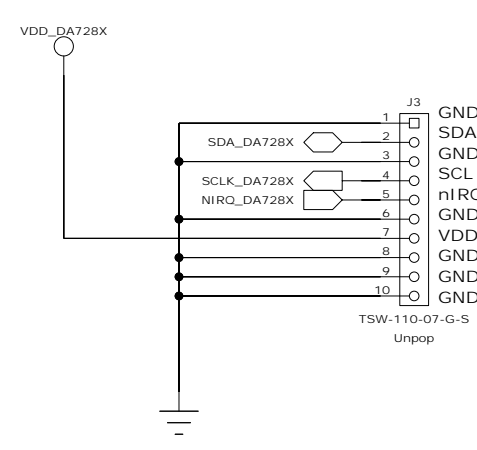
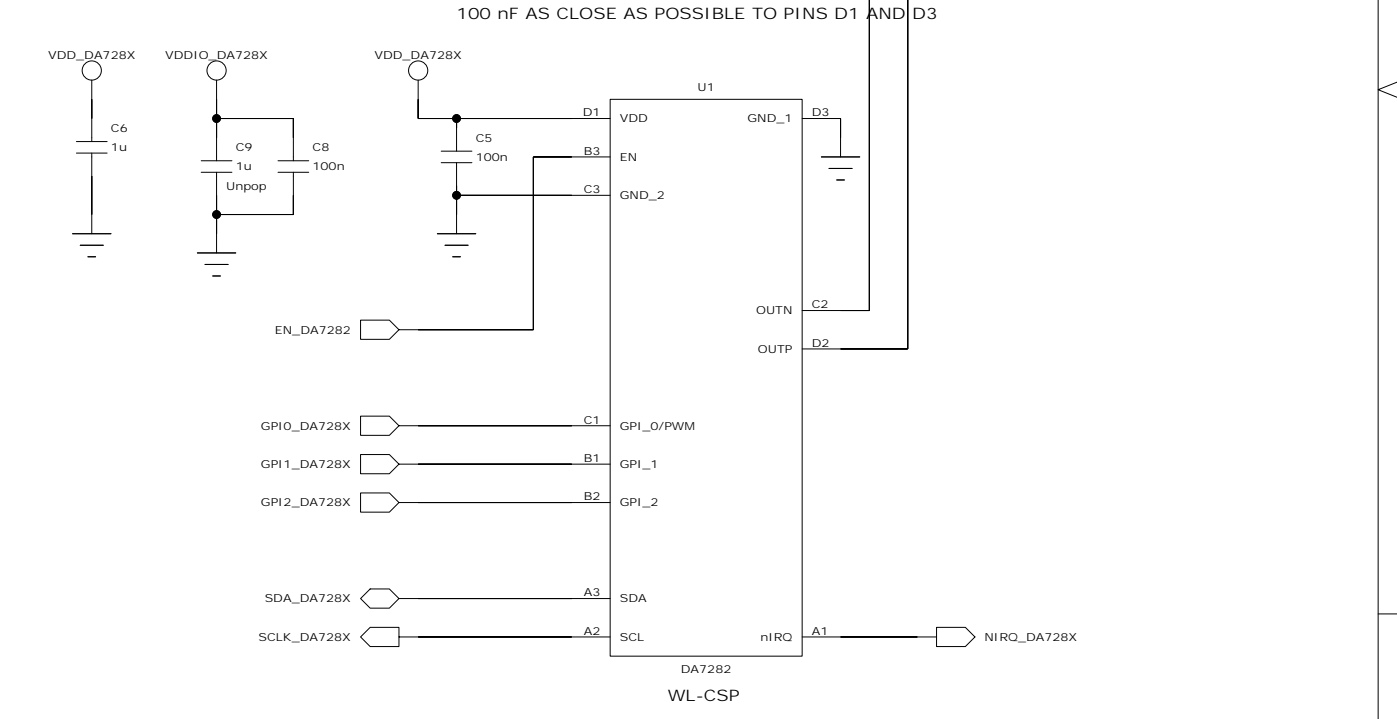
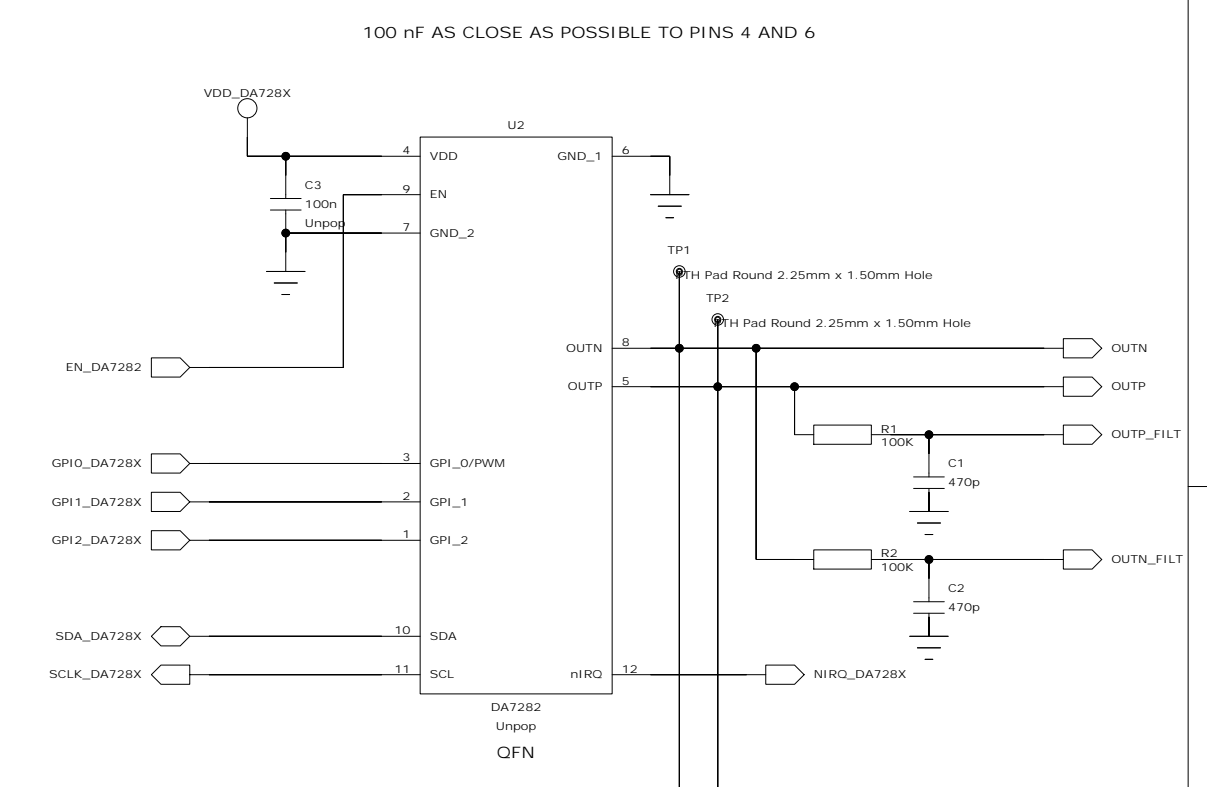
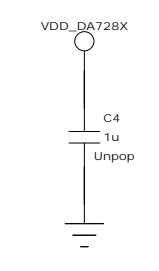
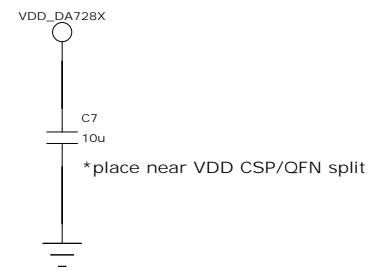
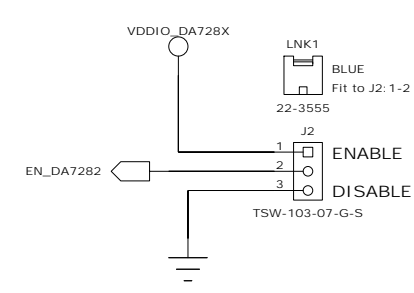
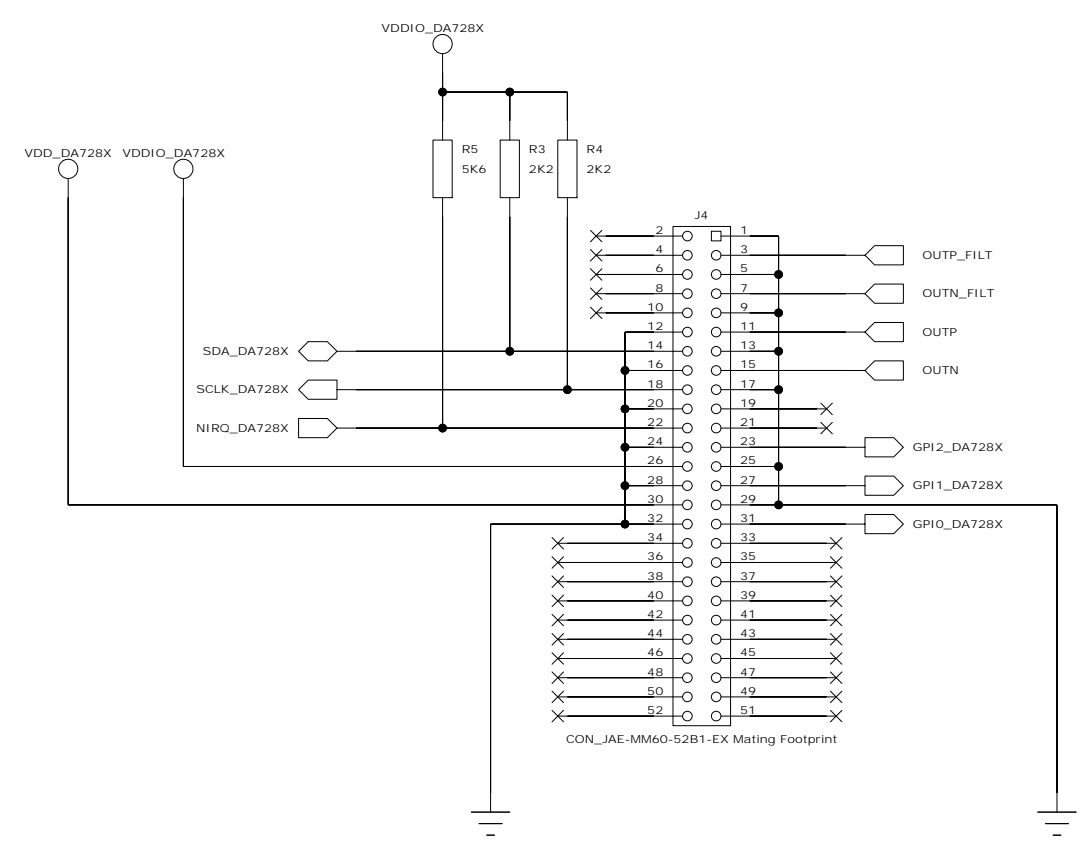
1

2

3

4

A B C D E F



SCHEMATIC TEMPLATE REV.xDxD_V7 (01-06-2017)		CONFIDENTIAL	SIZE	TITLE: DA7282 Daughter board		
DESIGNED BY: JM MG		INFORMATION	A3L	VARIANT: Master Sch no Var defined		
REVIEWED BY: JM WF, AY		26/10/2018: 11:50		359-08-A 1		PAGE: 1 of 2
22/09/2018		DRAWING No:		DUT		

A

B

C

D

E

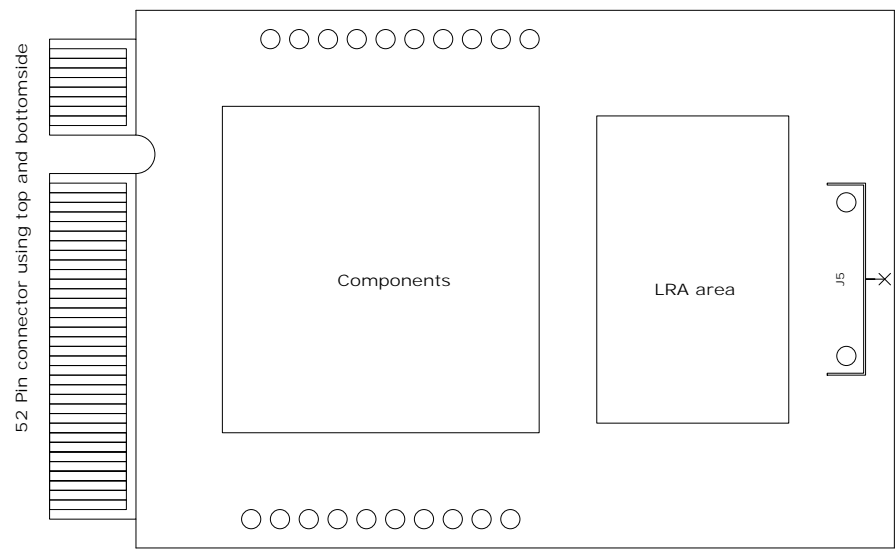
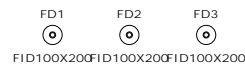
F

REVISION TABLE

REV.	DATE	ENGINEER	NOTES
A1	26/10/2018	JM/MG	Manufactured version.

MECHANICAL PARTS

MECHANICAL



SCHEMATIC TEMPLATE REV.xDxD_V7 (01-06-2017)

DESIGNED BY:
JM
MG

REVIEWED BY:
JM
WF, AY

CONFIDENTIAL
INFORMATION

SIZE
A3L

TITLE: DA7282 Daughter board
VARIANT: Master Sch no Var defined

SAVED DATE:
26/10/2018: 11:50

DRAWING No:
359-08-A 1

REVIEWED DATE:
22/09/2018

SHEET NAME:
REVISION

PAGE: 2 of 2



A

B

C

D

E

F