

DA14683 Reference Design

Design Name	DA14683_DB_WLCSP_vE
Ref. Number	224-15-E
Version	E
Date	July, 13, 2015
Designer	

Same PCB Board & Reference Number for WLCSP53 packages of

- DA14681
- DA14683
- DA15101

History Table

Version	Date	Comments
A	13/Mar/ 2015	Initial Schematic
B	17/Jun/ 2015	Add R24=2.2K for V14 rail power at power up Change value of C4 to 10uF Replace SW2 pin header connector with slide switch CUS-12TB Replace J3 RF Switch with Murata MM8130-2600
	26/Jun/ 2015	Add second choice for QSPI FLASH , U3, W25Q80EW
	03/Jul/ 2015	Change C8 from 1uF to 4.7uF Replace L1 part number (L2012 , lower DC Resistance)
C	29/Jul/ 2015	Connect R24 to V18 instead of VDDIO Change pin assignment for UTX (P1_3) URX (P2_3)
D	16/Sept/ 2015	Add Resistor R25=10MOhm to XTAL32Kp
		Make Resistor R24=2.2K NP Make W25Q80EW populated
E	16/Oct/ 2015	Modify for label
	13/Jul/ 2016	Modify IC part number to DA14683

Configuration note

NOTE box

Changes in this Version.

<Variant Name>



Dialog Semiconductor
52-54 Kalabriton Str.
26335, Patra, Greece
tel. (+30) 2610390940
fax. (+30) 2610390941

Title : DA14683 DB WLCSP vE

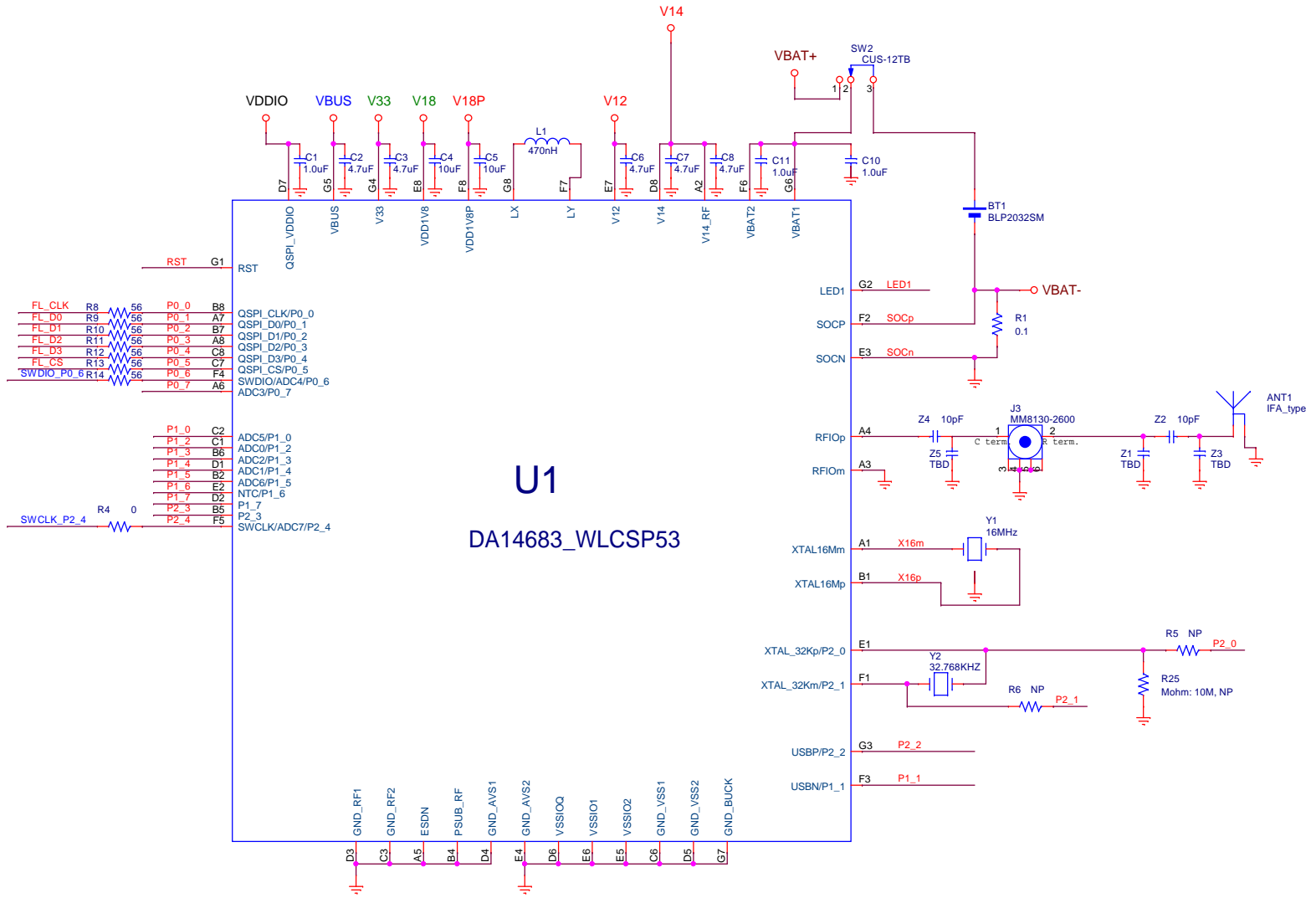
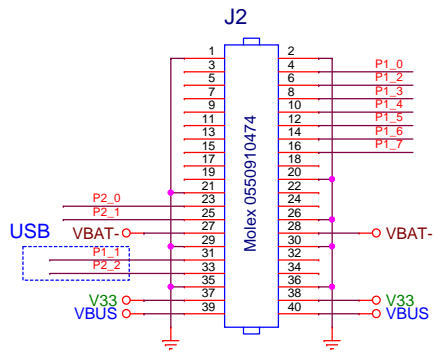
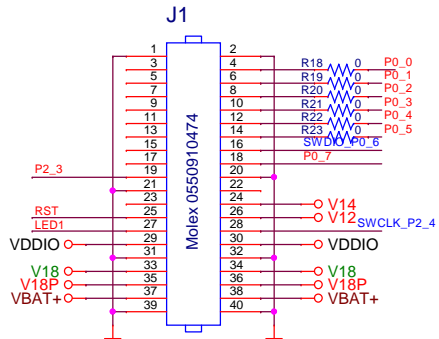
Doc. Nr. 224-15-E Designer: KL

Rev: E

Date: Wednesday, July 13, 2016

Sheet: 0 of 1

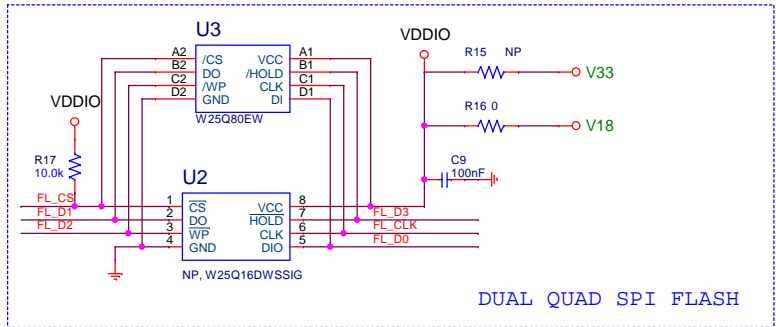
CONNECTORS TO MOTHERBOARD



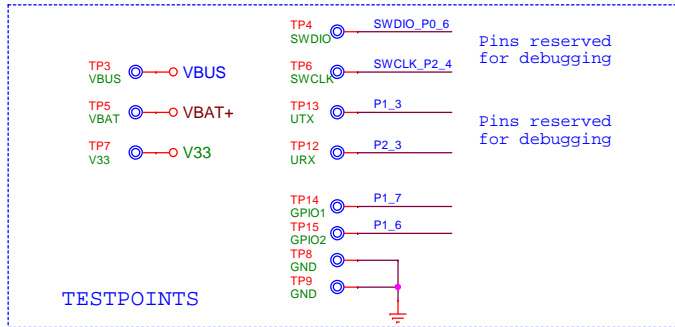
FL_CLK	R8	56	P0_0	B8	QSPI_CLK/P0_0
FL_D0	R9	56	P0_1	A7	QSPI_D0/P0_1
FL_D1	R10	56	P0_2	B7	QSPI_D1/P0_2
FL_D2	R11	56	P0_3	A8	QSPI_D2/P0_3
FL_D3	R12	56	P0_4	C8	QSPI_D3/P0_4
FL_CS	R13	56	P0_5	C7	QSPI_CS/P0_5
SWDIO_P0_6	R14	56	P0_6	F4	QSPI_CS/P0_5
			P0_7	A6	SWDIO/ADC4/P0_6
					ADC3/P0_7

P1_0	C2	ADC5/P1_0
P1_2	C1	ADC0/P1_2
P1_3	B6	ADC2/P1_3
P1_4	D1	ADC1/P1_4
P1_5	B2	ADC6/P1_5
P1_6	E2	NTC/P1_6
P1_7	D2	P1_7
P2_3	B5	P1_7
P2_4	F5	SWCLK/ADC7/P2_4

U1
DA14683_WLCSP53



DUAL QUAD SPI FLASH



TESTPOINTS

Dialog Semiconductor
Het Zuiderkruis 53
5215 MW 't Horrenbosch
tel. (+31) 73 640822
fax. (+31) 73 640823

Title: DA14683 DB WLCSP vE
Doc. Nr. 224-15-E Designer: KL
Date: Wednesday, July 13, 2016 Sheet: 1 of 1 Rev: E