


IDT PLL CHIP CARRIER

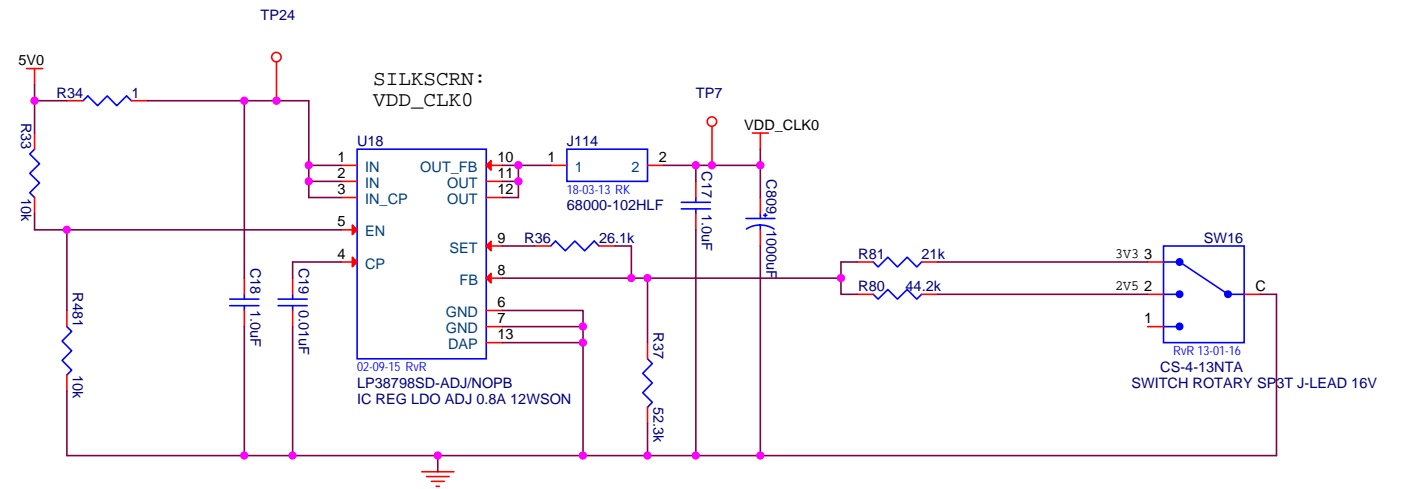
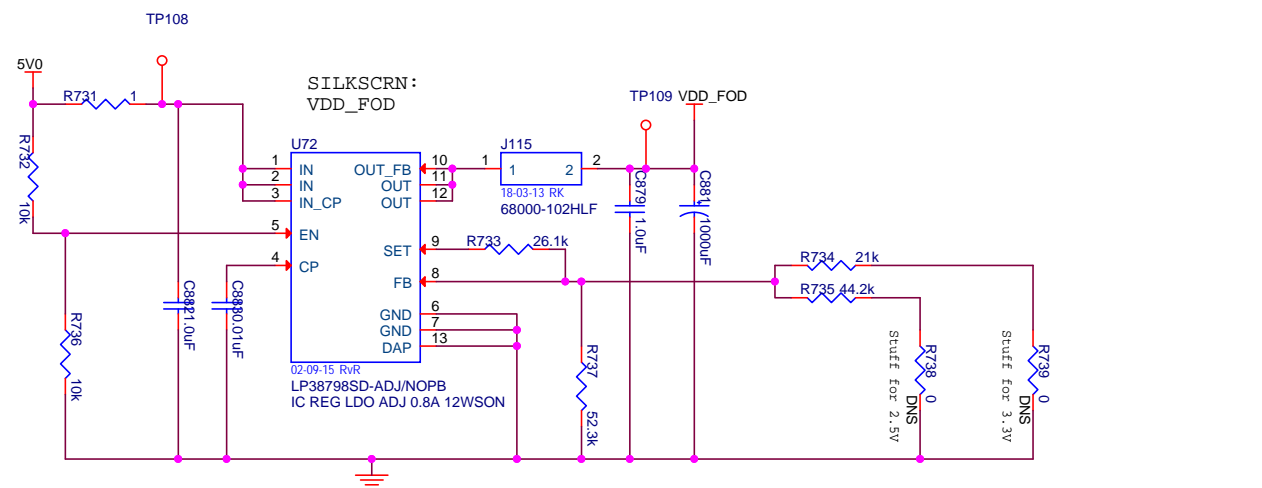
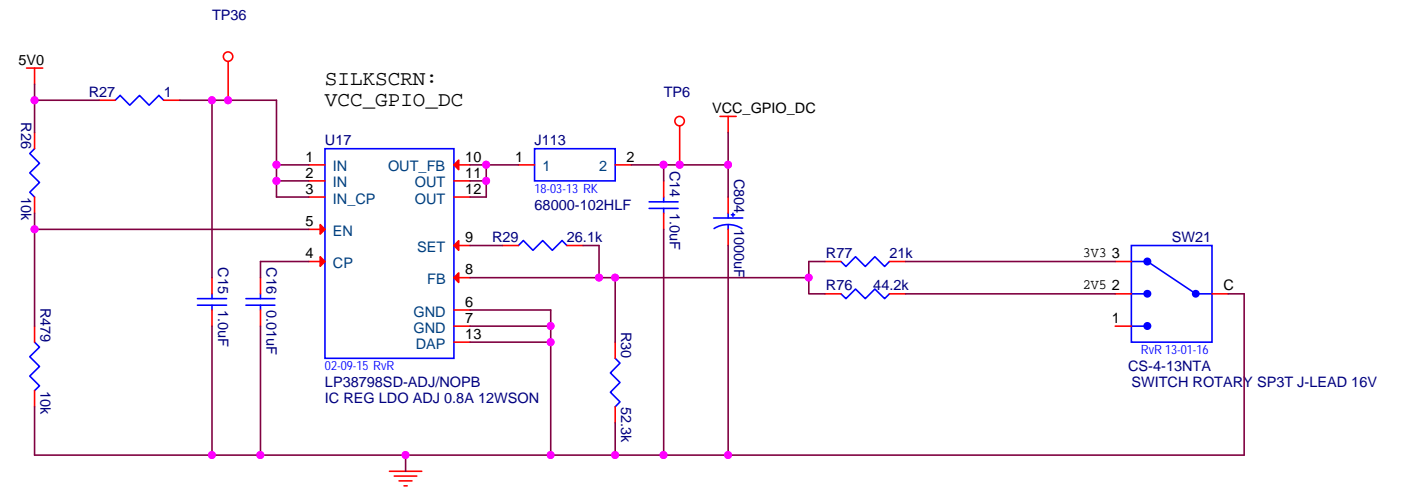
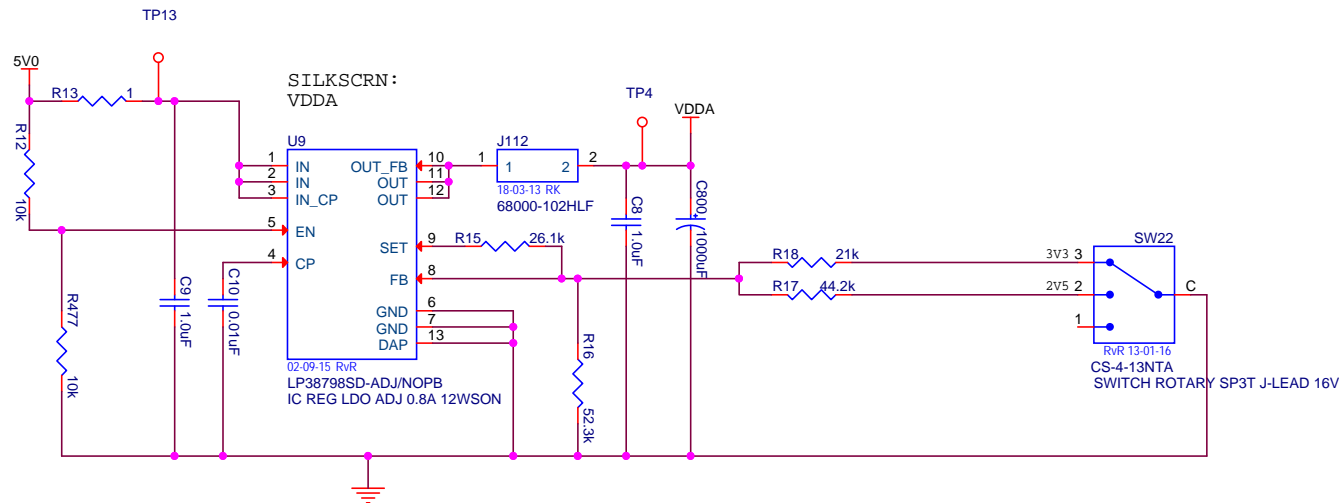
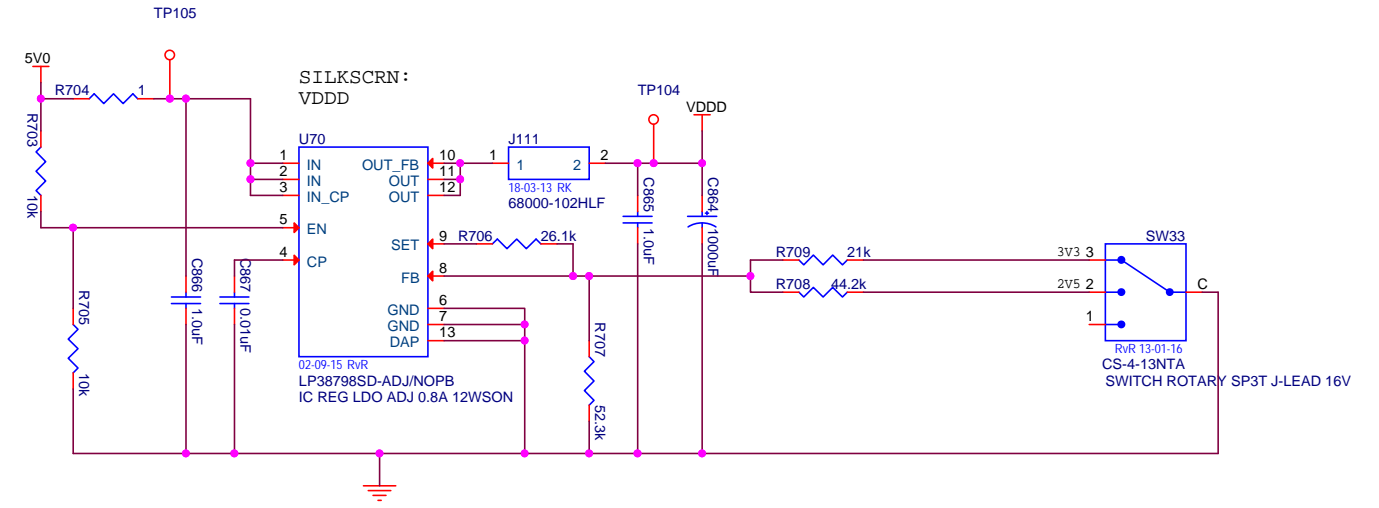
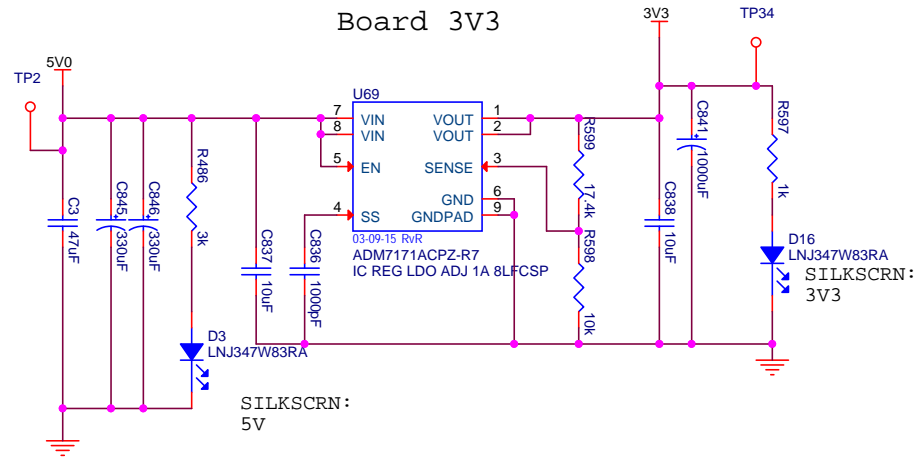
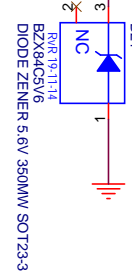
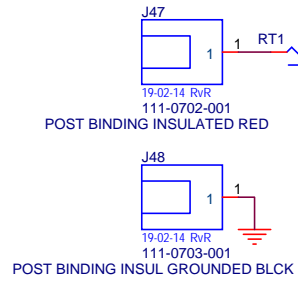
TABLE OF CONTENTS

PAGE	DESCRIPTION
1	Table of Contents and Revision History
2	PWR SUPPLIES 1
3	PWR SUPPLIES 2
4	FTDI USB, RST
5	PLL CORE, CLOCK IN
6	PLL PWR, CLOCK OUT

REVISION HISTORY

REVISION	DATE	CHANGE DETAILS
0.1	5 December 2017	First Release
0.2	28 February 2018	For details re changes done, refer to: \\navar\z_10397-01_sch\reviews\DN-10397-01_Changes_Feb 28 2018.xlsx

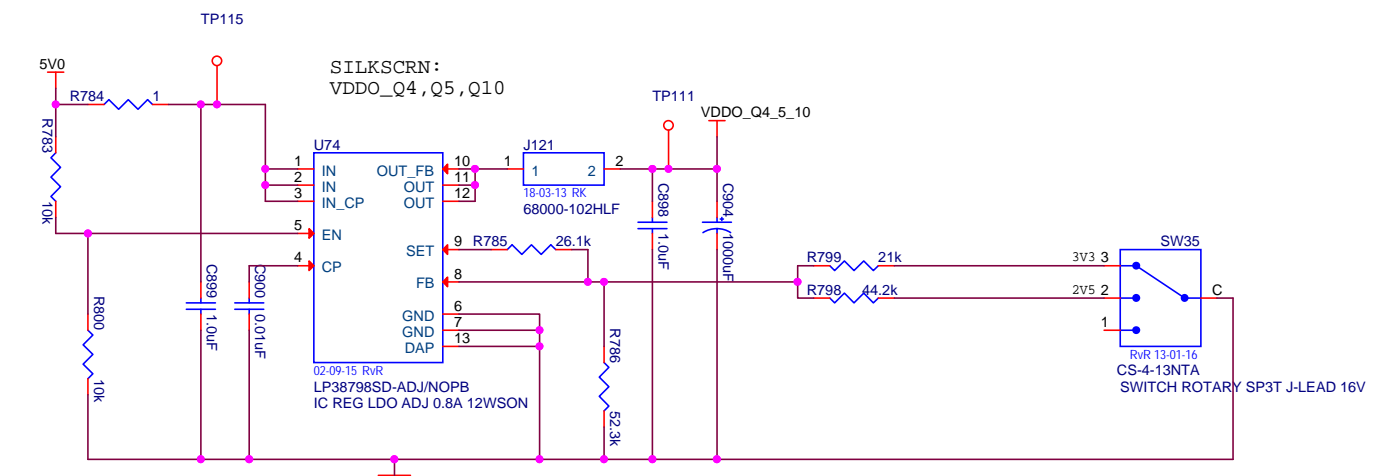
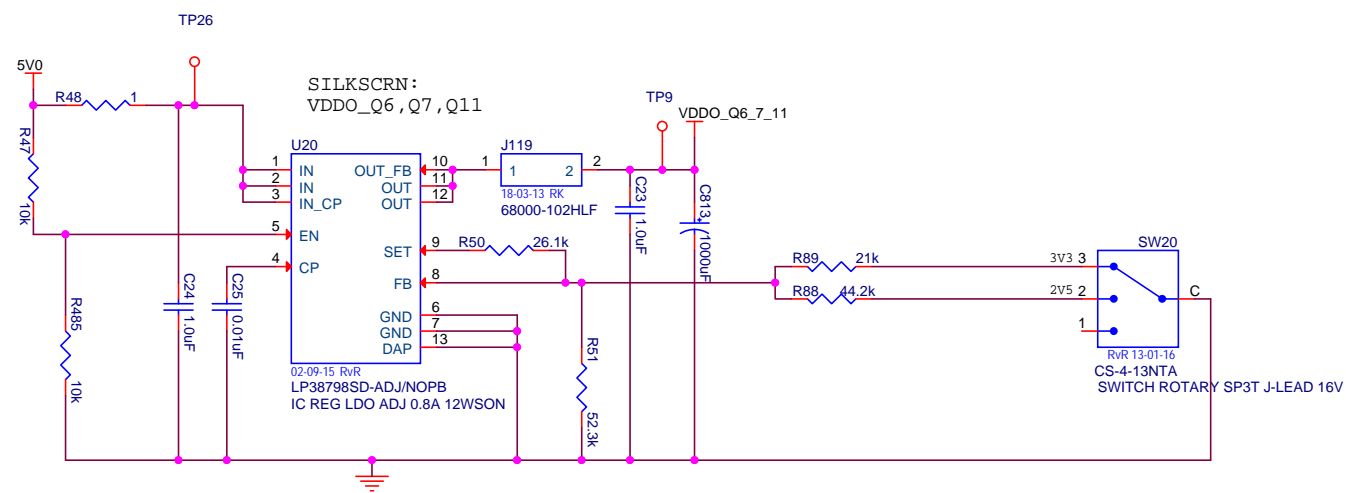
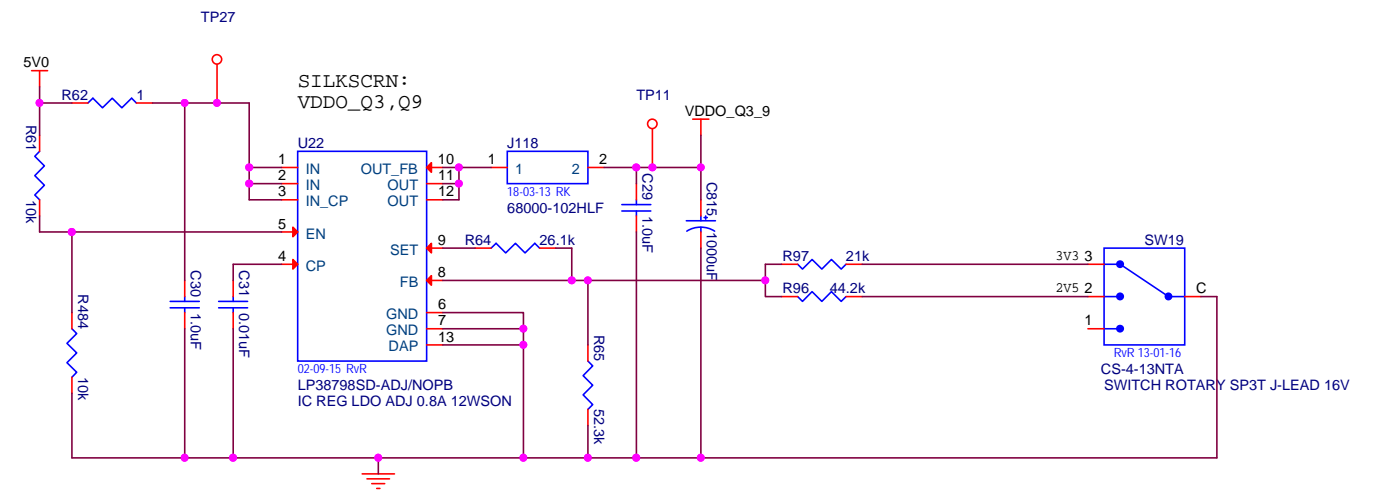
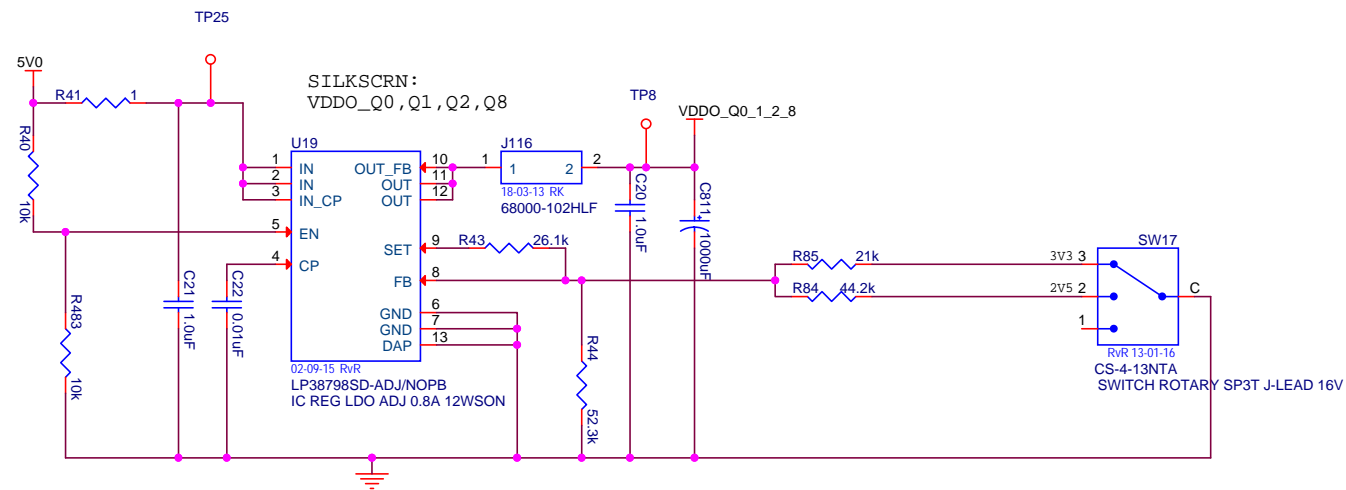
PROJECT NAME	Inavar	 Fidus Systems 375 Terry Fox Drive, Ottawa, ON K2K 0J8
DESIGN	BM	TITLE IDT PLL Chip Carrier
DRAWN	BM	SUBTITLE Table of Contents and Revision History
CHECK	CL	DRAWING NUMBER SK-10397-01
		REVISION 0.2
		RELEASE DATE 5 December 2017
		SHEET 1 OF 6



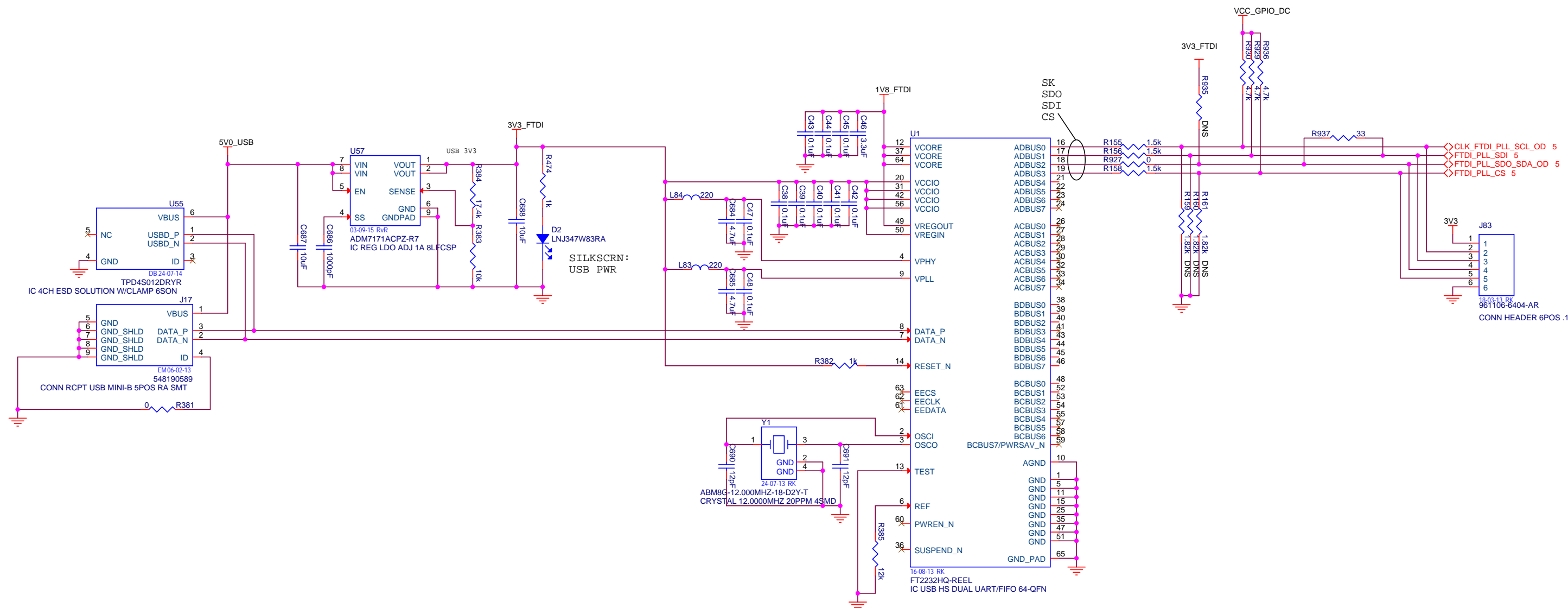
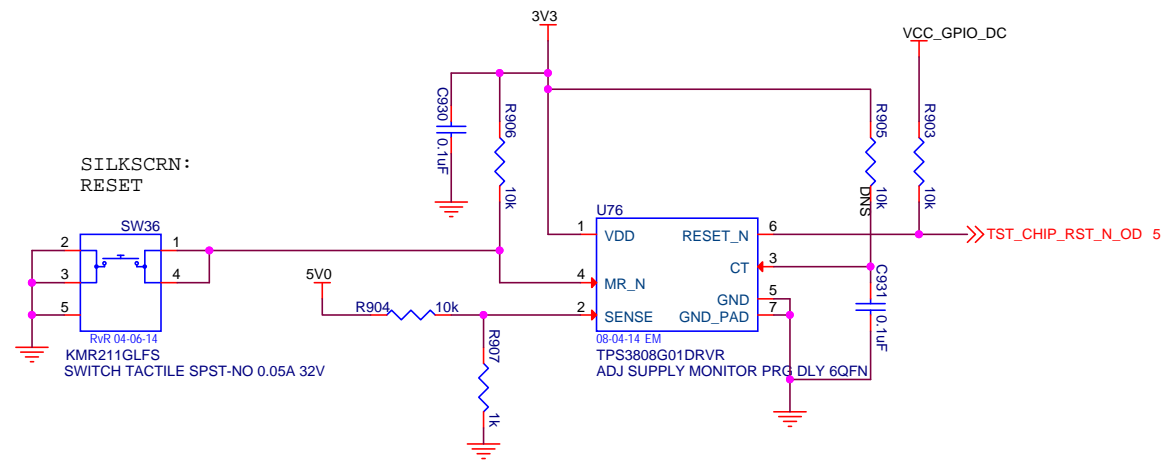
LDO Switch Legend

- POS 3 = 3V3
- POS 2 = 2V5
- POS 1 = 1V8/FPGA control

PROJECT NAME	Fidus Systems	
Inavar		375 Terry Fox Drive, Ottawa, ON K2K 0J8
DESIGN	TITLE	
BM	IDT PLL Chip Carrier	
DRAWN	SUBTITLE	
BM	PWR SUPPLIES 1	
CHECK	DRAWING NUMBER	REVISION
CL	SK-10397-01	0.2
	RELEASE DATE	SHEET
	5 December 2017	2 OF 6

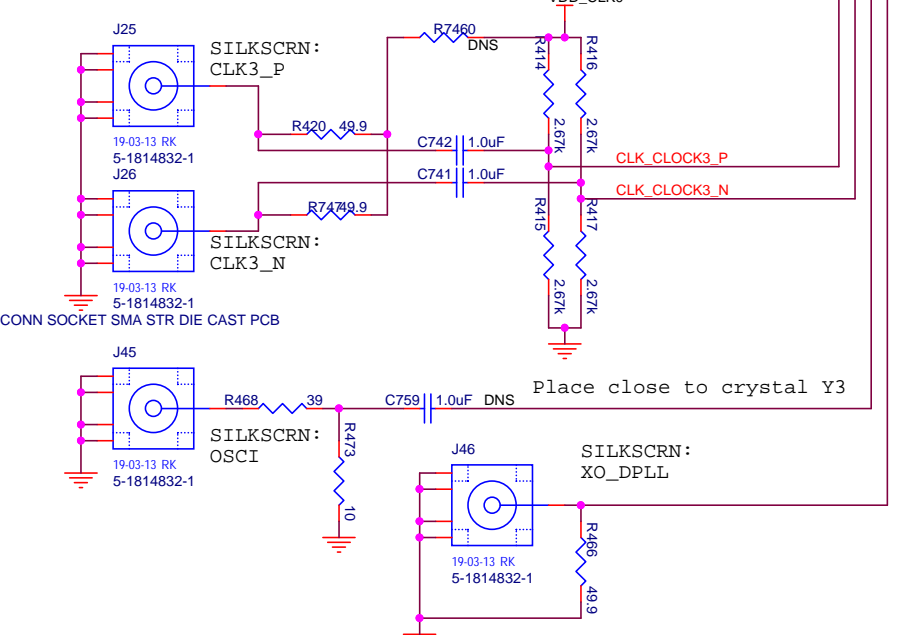
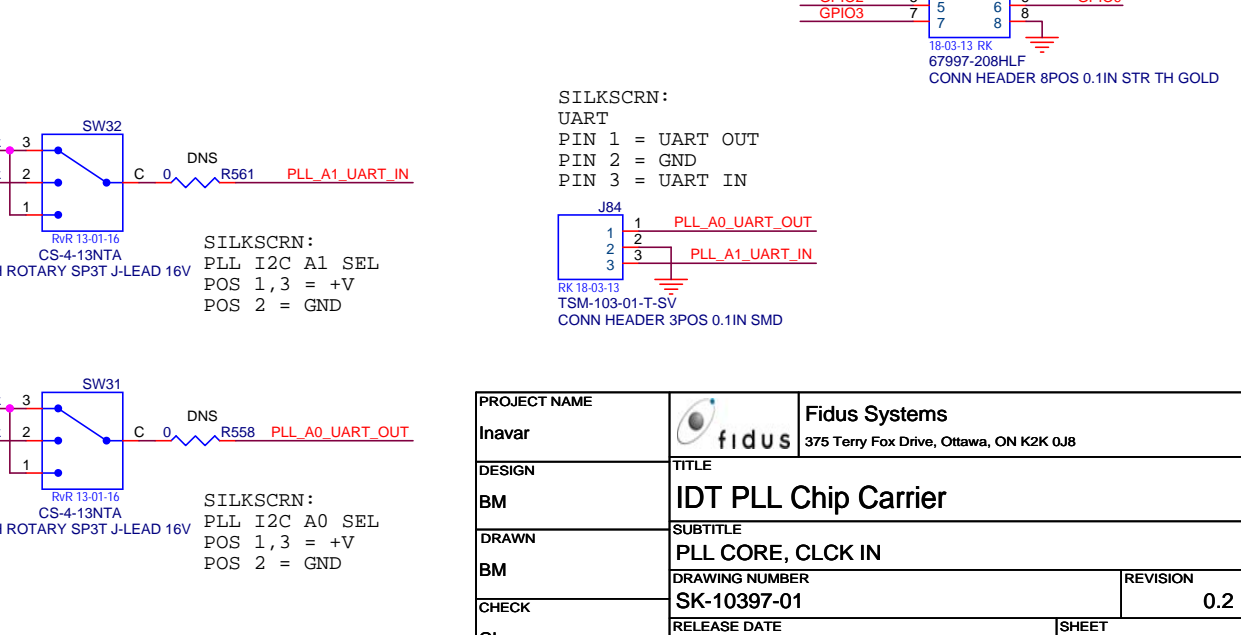
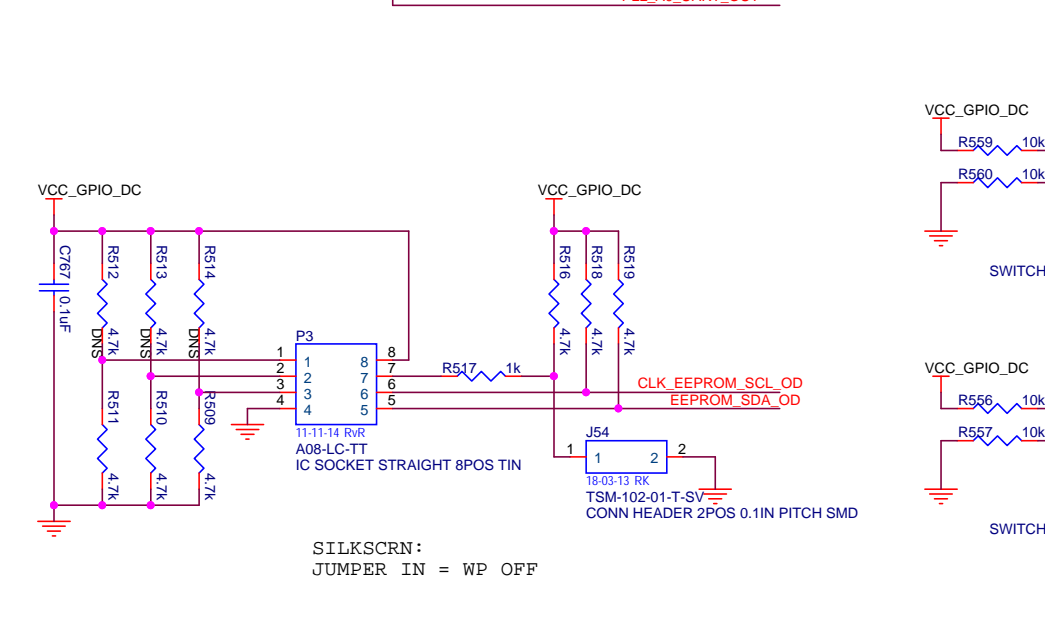
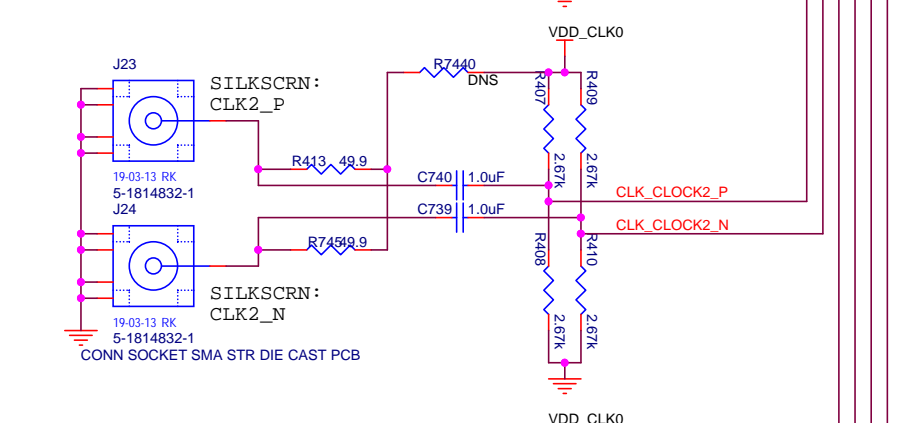
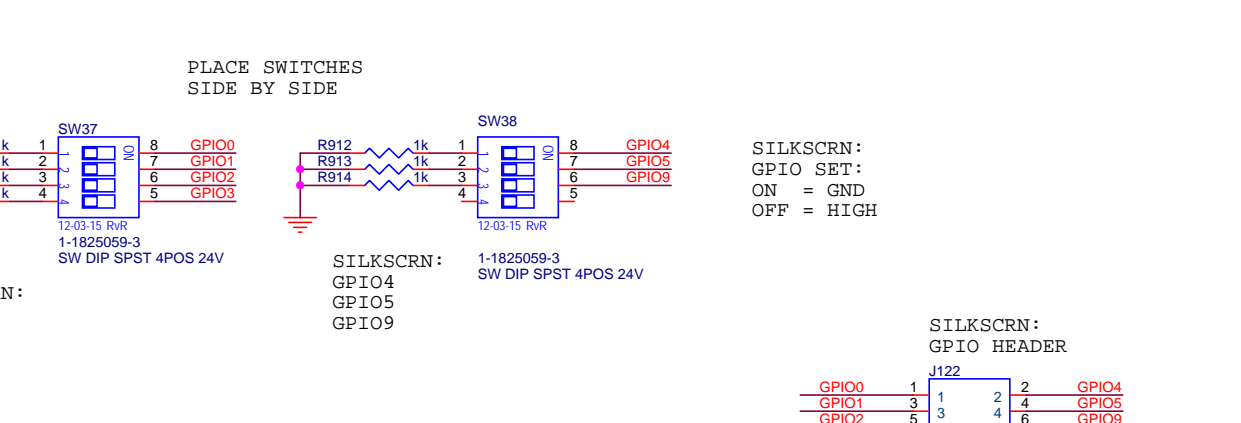
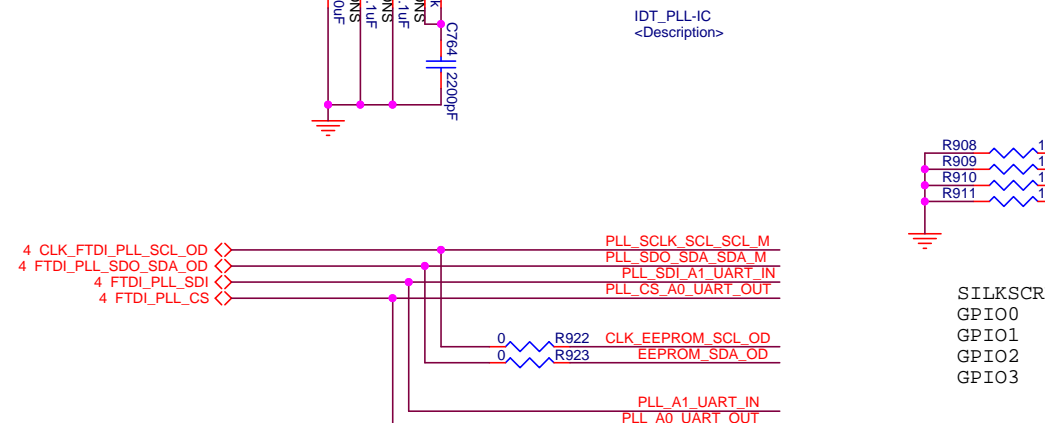
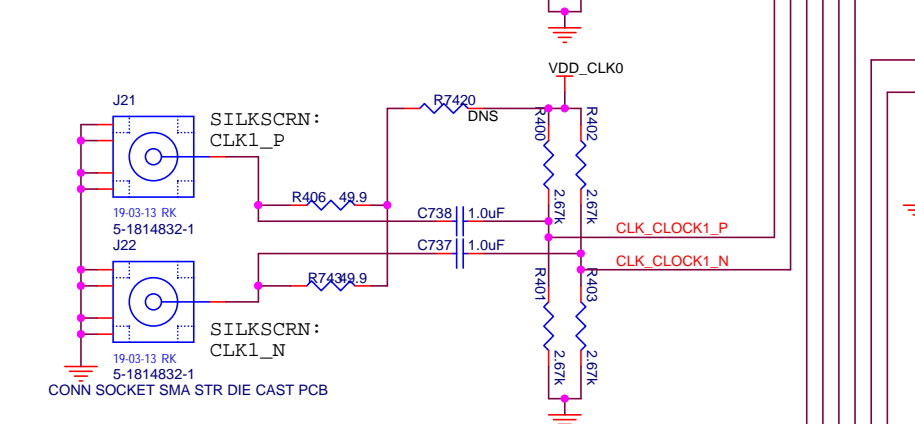
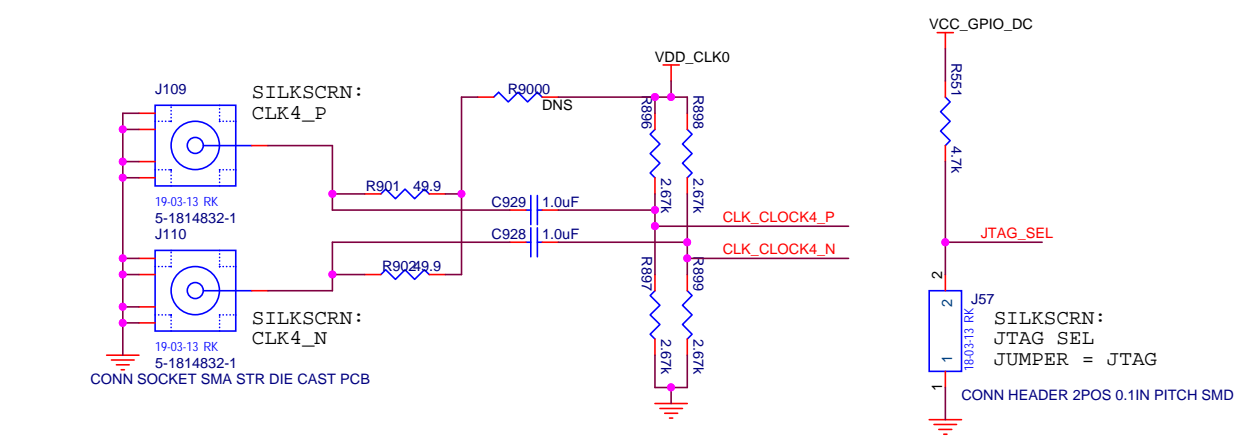
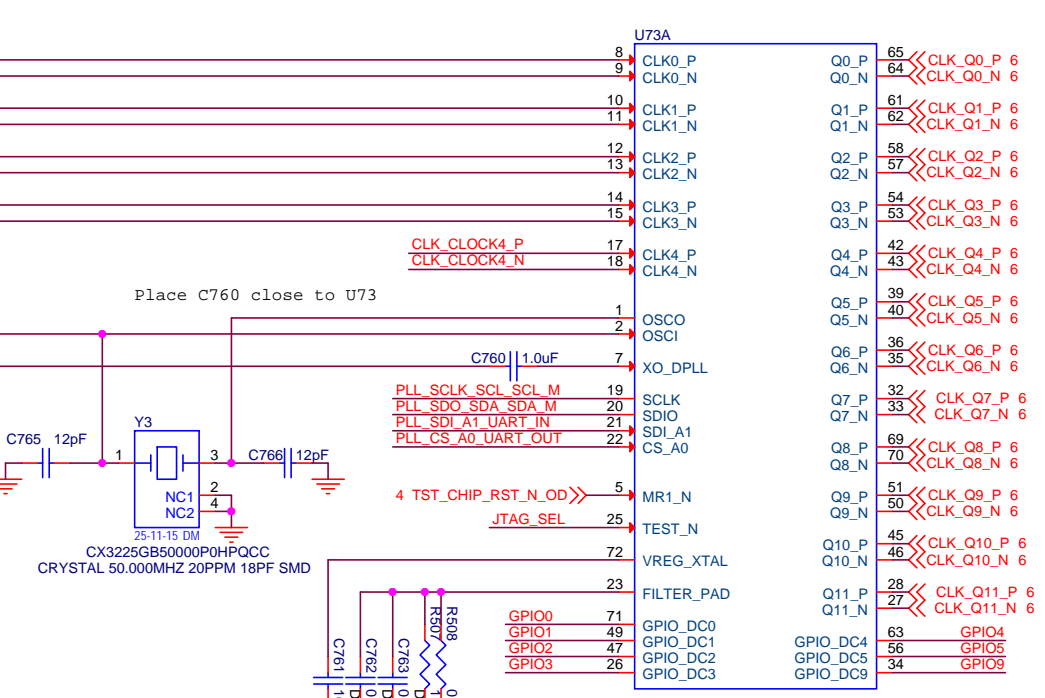
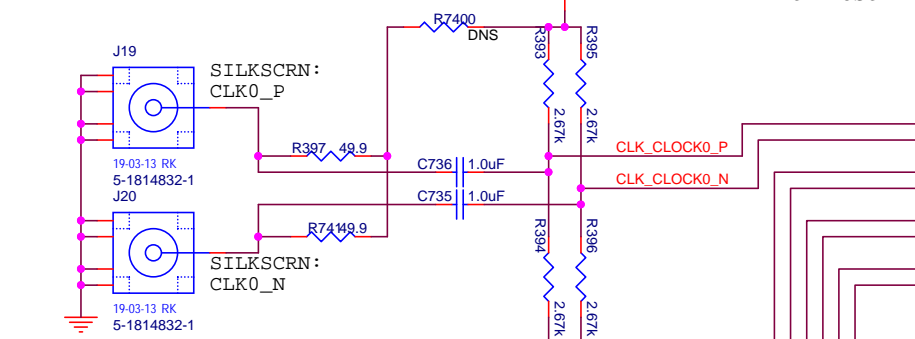
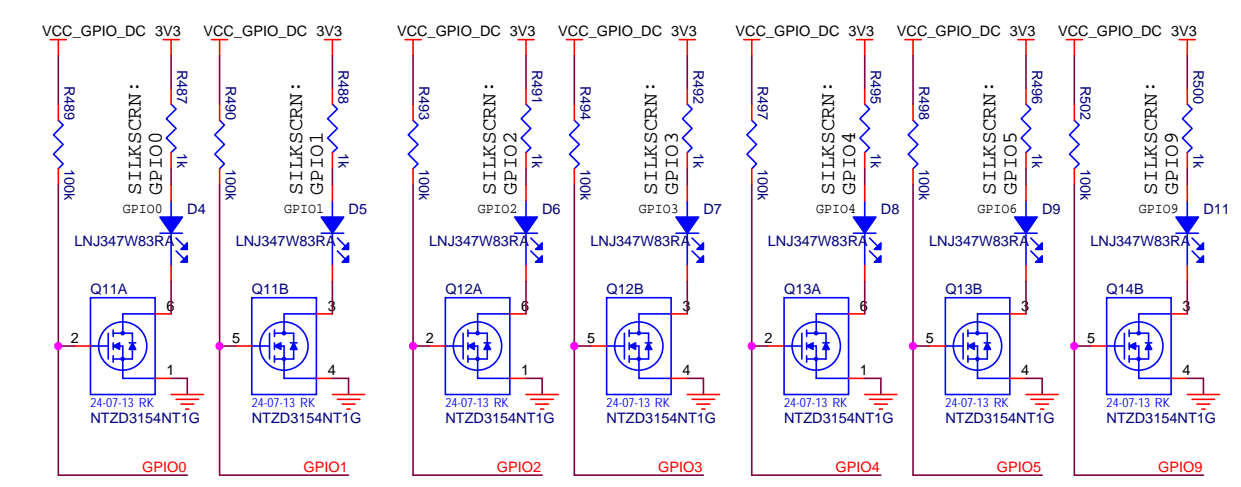
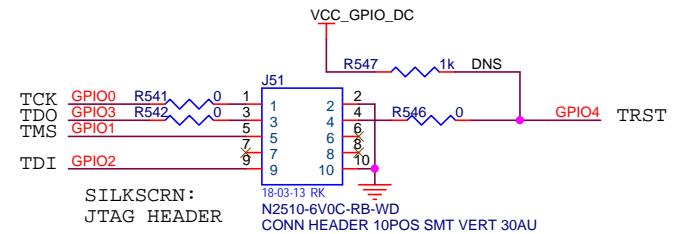
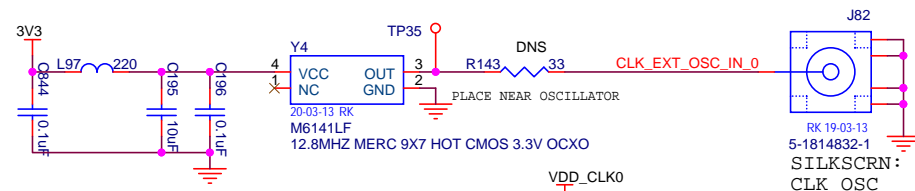


PROJECT NAME	Fidus Systems	
Inavar	375 Terry Fox Drive, Ottawa, ON K2K 0J8	
DESIGN	TITLE	
BM	IDT PLL Chip Carrier	
DRAWN	SUBTITLE	
BM	PWR SUPPLIES 2	
CHECK	DRAWING NUMBER	REVISION
CL	SK-10397-01	0.2
	RELEASE DATE	SHEET
	5 December 2017	3 OF 6



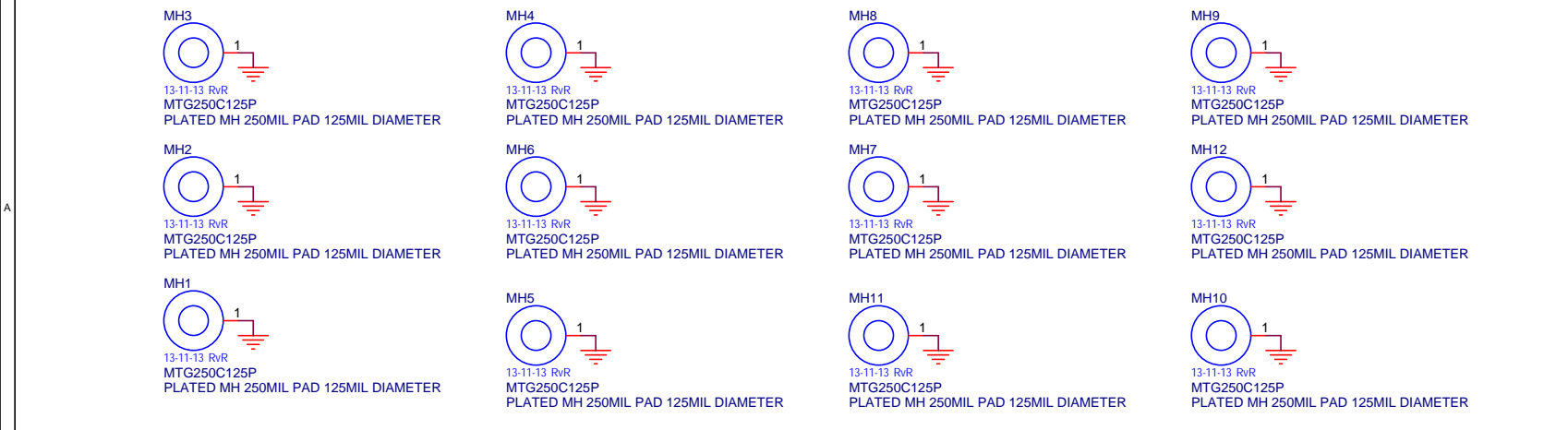
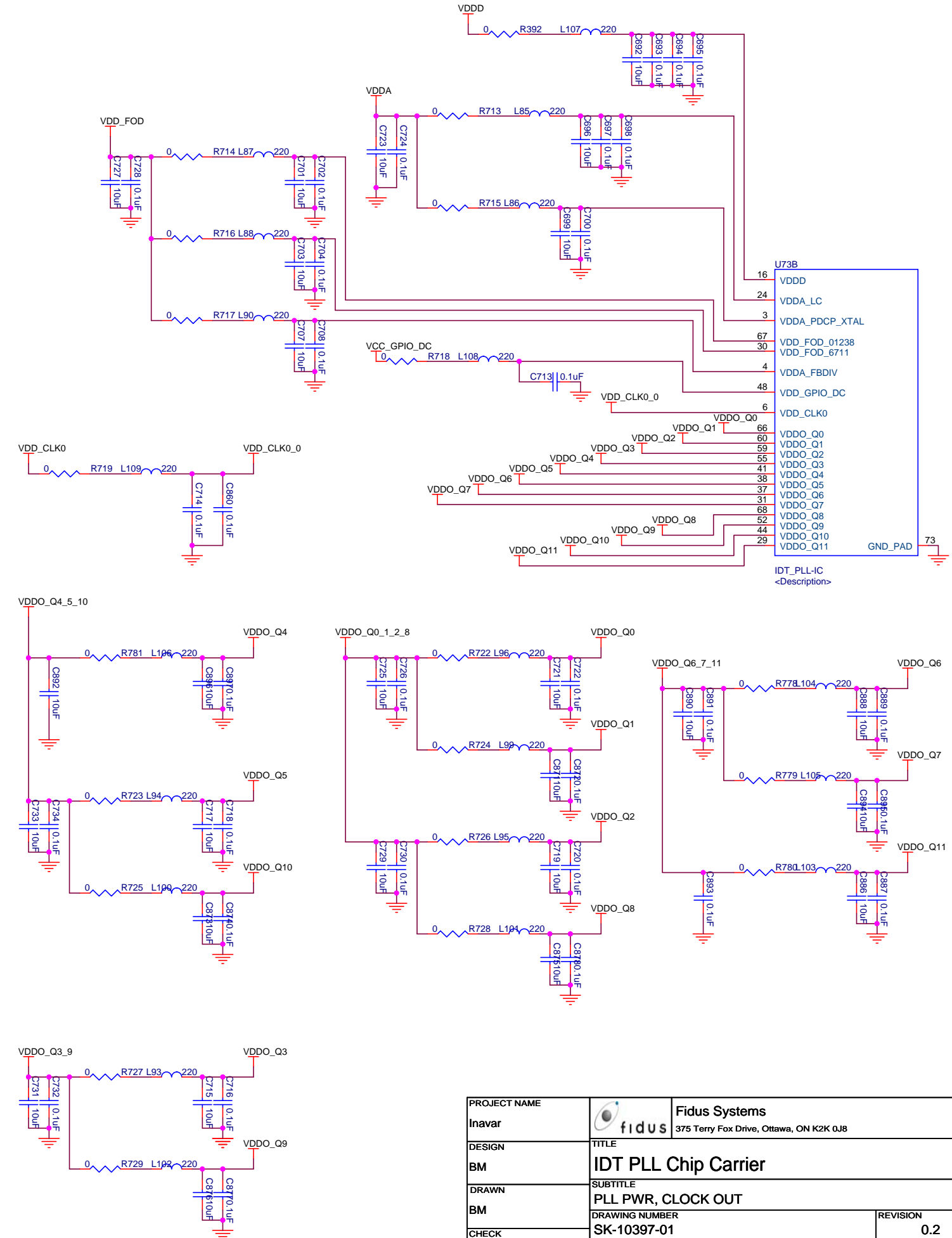
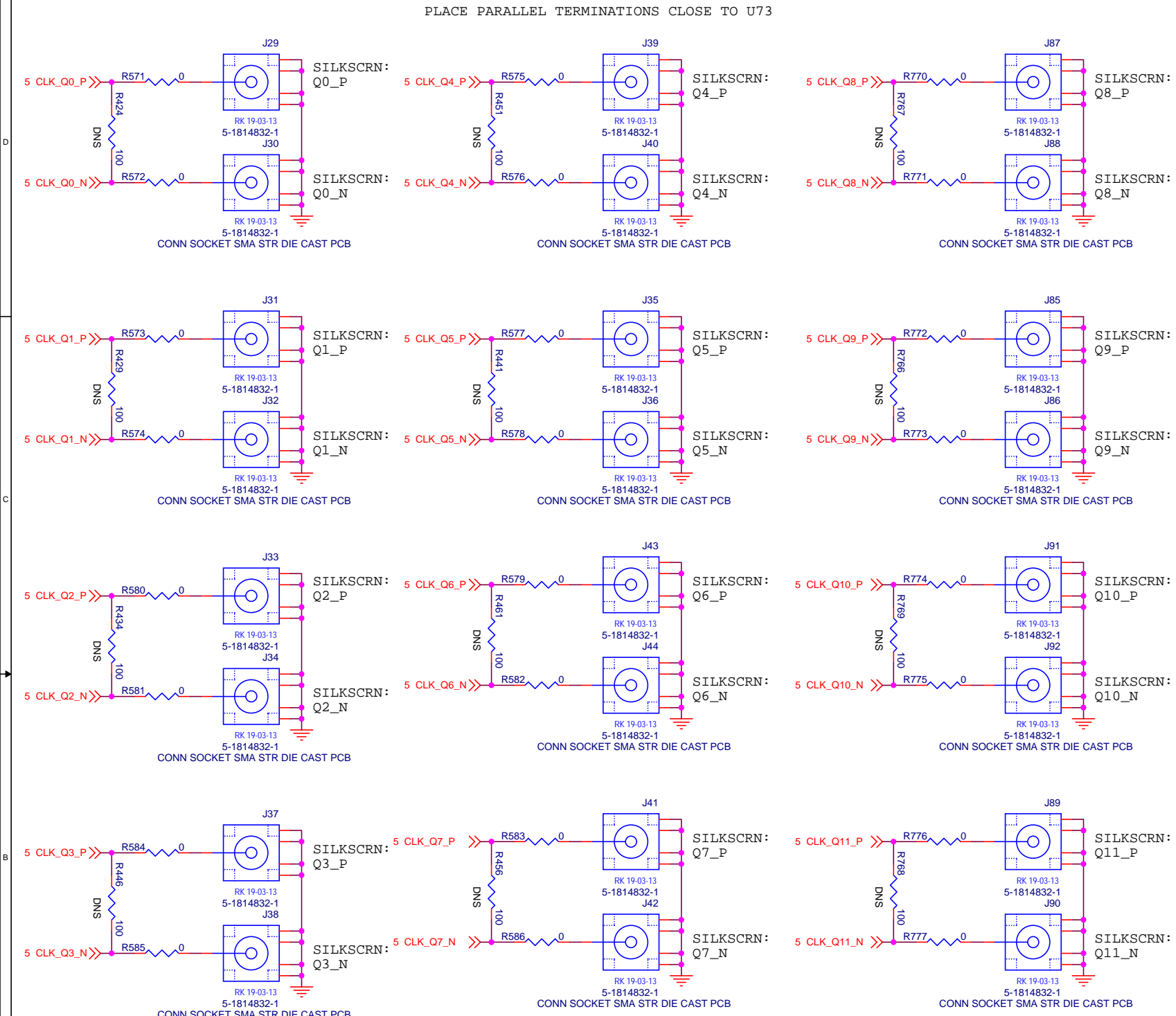
SILKSCRN:
 EXT PLL I2C
 PIN 1 = 3.3V
 PIN 2 = SCL
 PIN 3 = SDI
 PIN 4 = SDO
 PIN 5 = CS
 PIN 6 = GND

PROJECT NAME	Inavar		Fidus Systems 375 Terry Fox Drive, Ottawa, ON K2K 0J8	
DESIGN	TITLE IDT PLL Chip Carrier			
BM	SUBTITLE FTDI USB, RST			
DRAWN	DRAWING NUMBER SK-10397-01			REVISION 0.2
BM	RELEASE DATE 5 December 2017			SHEET 4 OF 6
CHECK				
CL				



PROJECT NAME	Inavar	Fidus Systems
DESIGN	BM	375 Terry Fox Drive, Ottawa, ON K2K 0J8
TITLE	IDT PLL Chip Carrier	
SUBTITLE	PLL CORE, CLK IN	
DRAWN	BM	
DRAWING NUMBER	SK-10397-01	REVISION
CHECK	CL	0.2
RELEASE DATE	5 December 2017	SHEET
		5 OF 6

PLACE PARALLEL TERMINATIONS CLOSE TO U73



PROJECT NAME	Fidus Systems	
Inavar	375 Terry Fox Drive, Ottawa, ON K2K 0J8	
DESIGN	TITLE	
BM	IDT PLL Chip Carrier	
DRAWN	SUBTITLE	
BM	PLL PWR, CLOCK OUT	
CHECK	DRAWING NUMBER	REVISION
CL	SK-10397-01	0.2
	RELEASE DATE	SHEET
	5 December 2017	6 OF 6