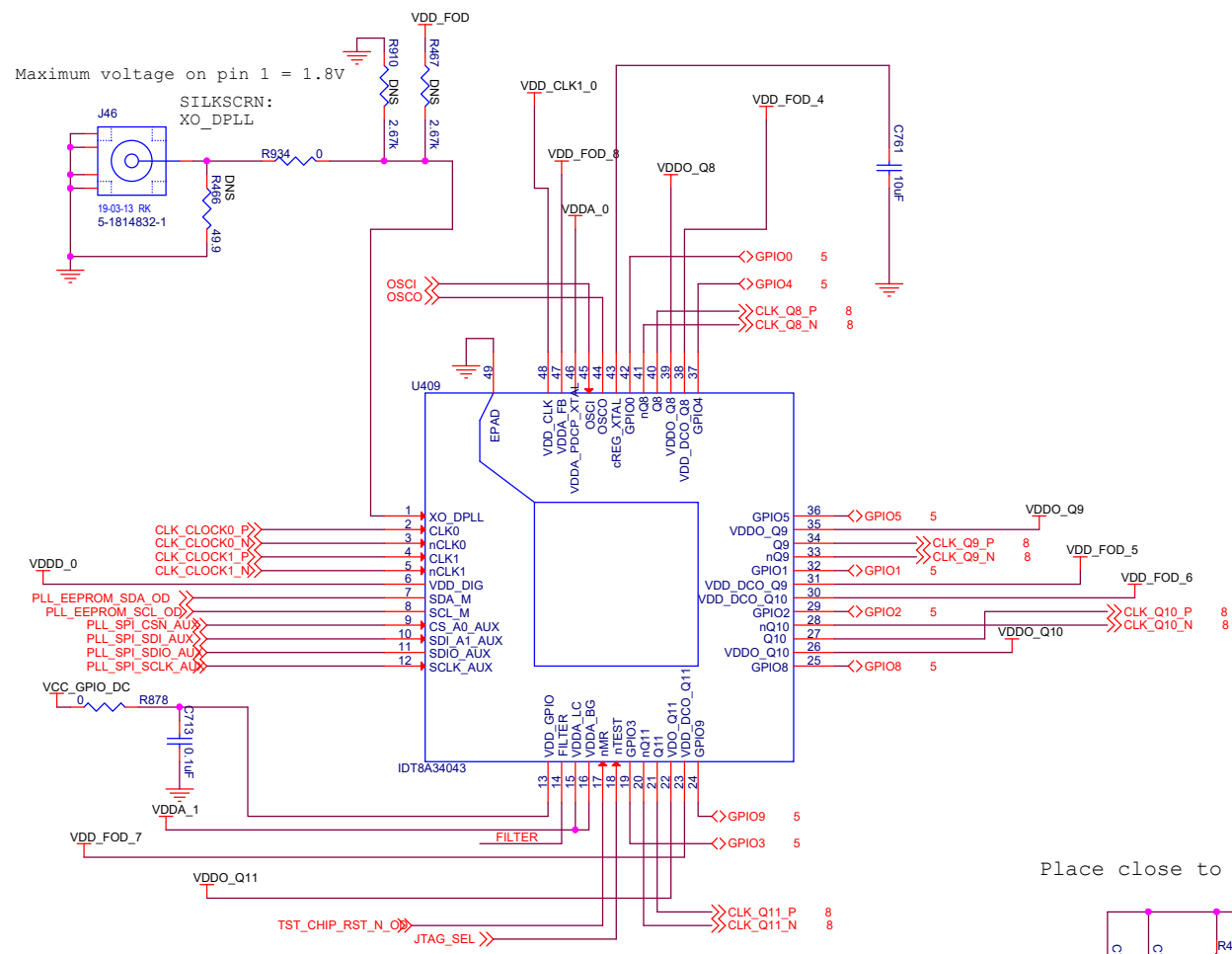
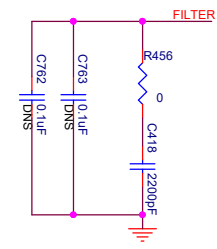


PROJECT NAME	Indira3		Fidus Systems 375 Terry Fox Drive, Ottawa, ON K2K 0J8	
DESIGN	TITLE IDT8A34043			
DB	SUBTITLE Block Diagram			
DRAWN	DRAWING NUMBER SK-10280-01		REVISION 1.2	
CHECK	RELEASE DATE 27 October 2016		SHEET 1 OF 9	
DB				

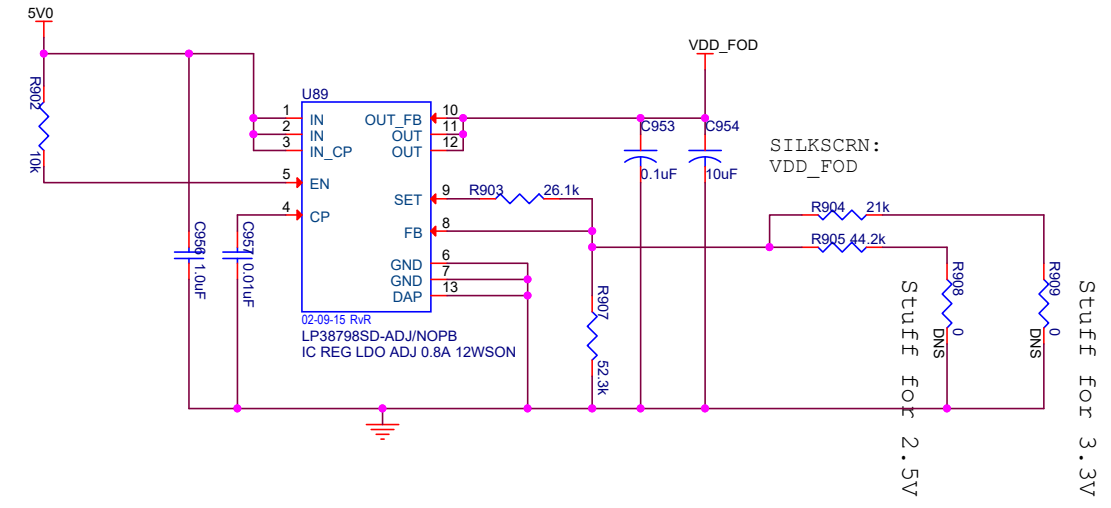
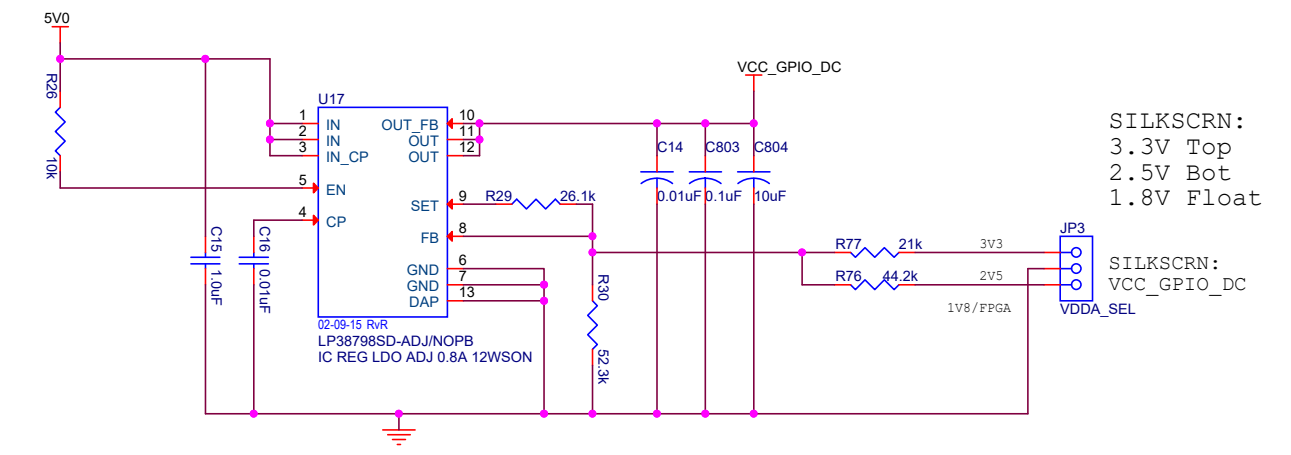
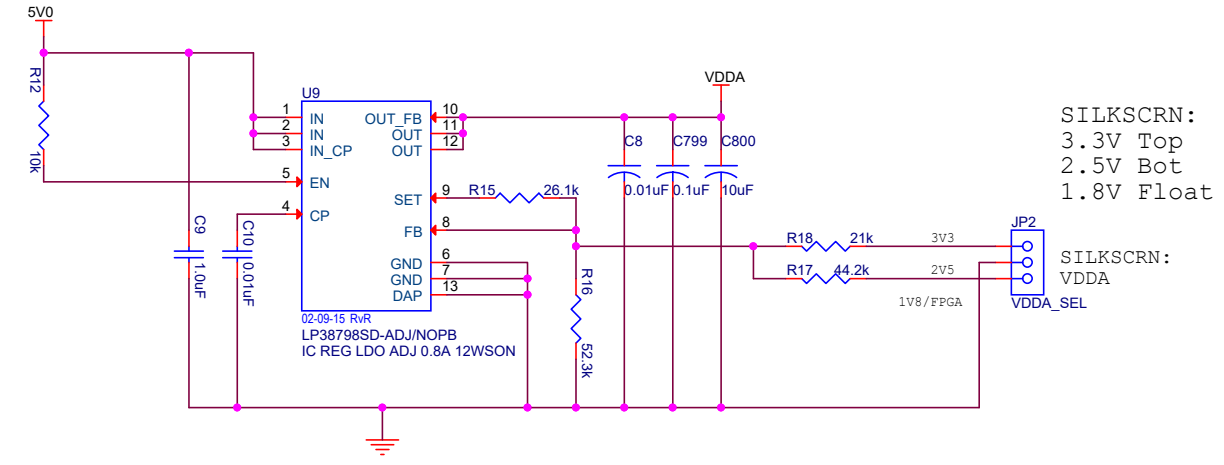
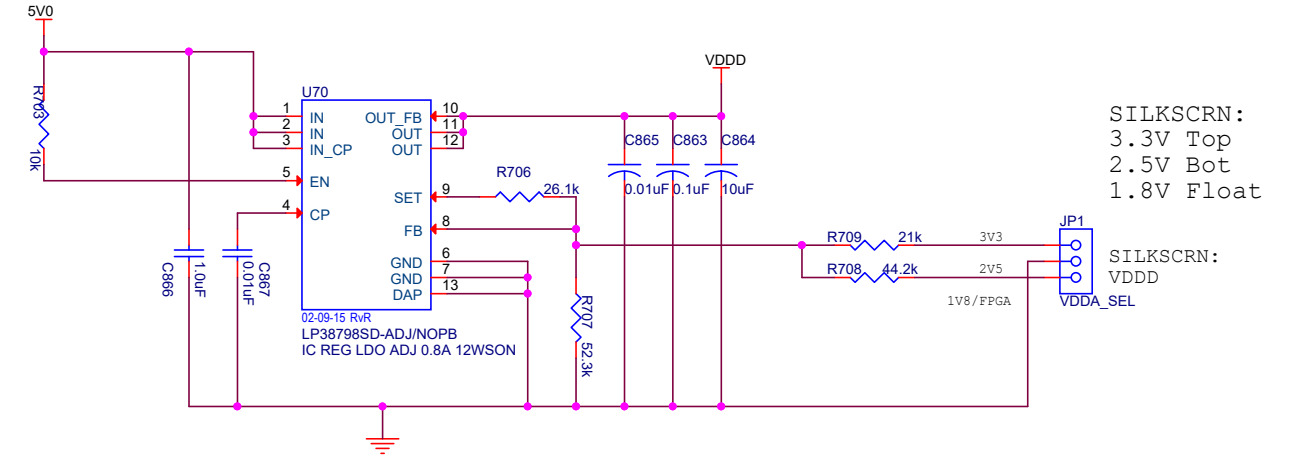
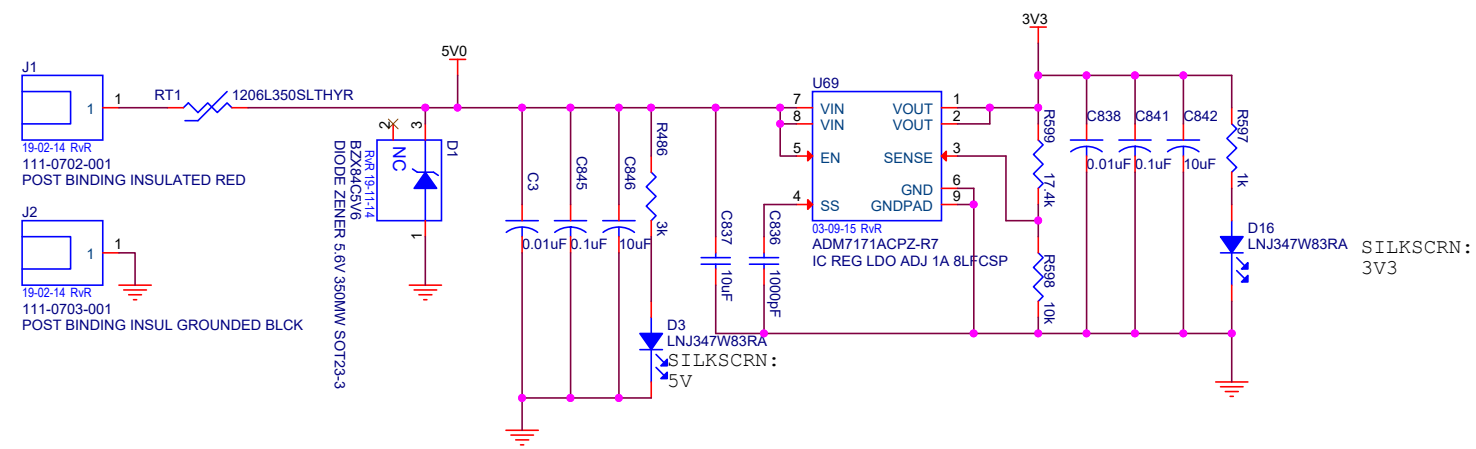


Place close to ClockMatrix

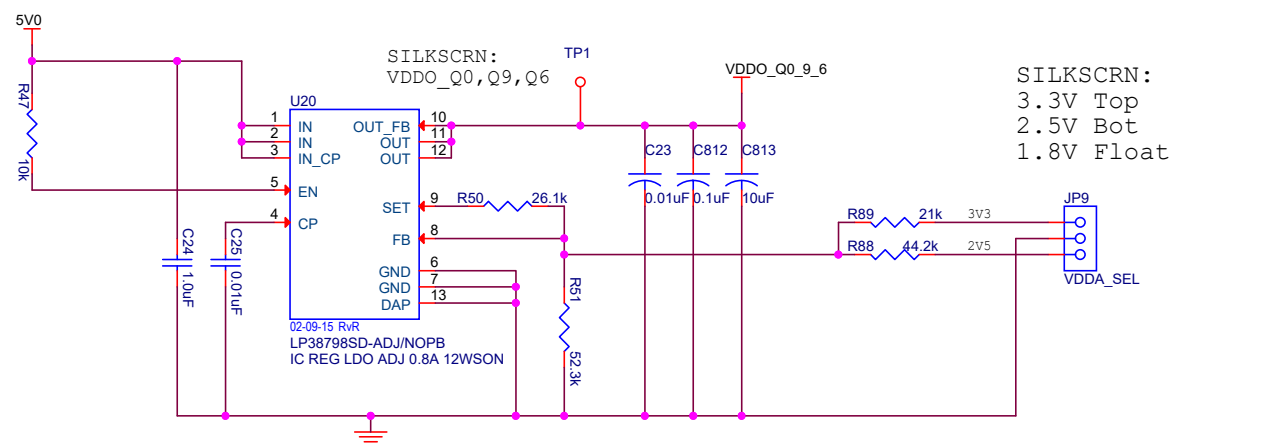
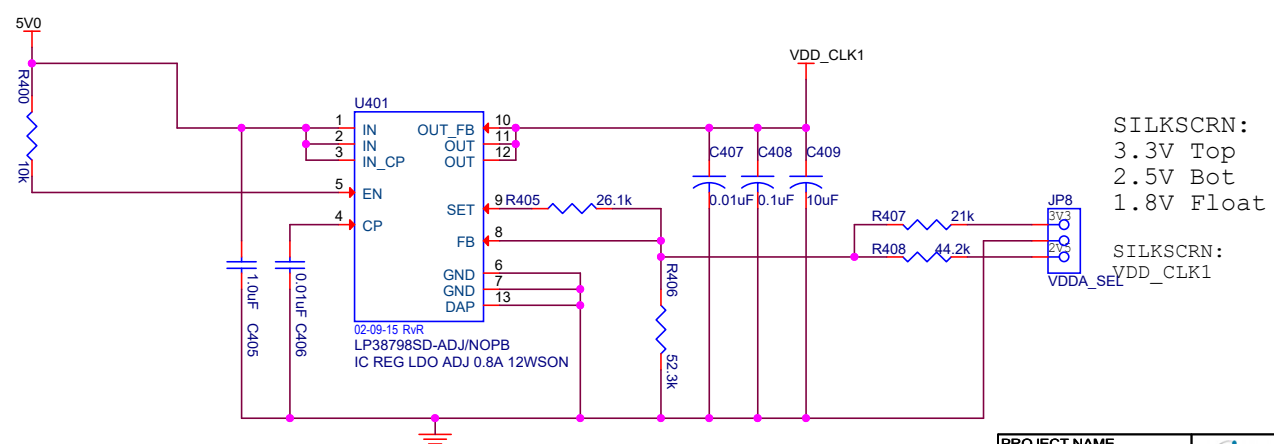
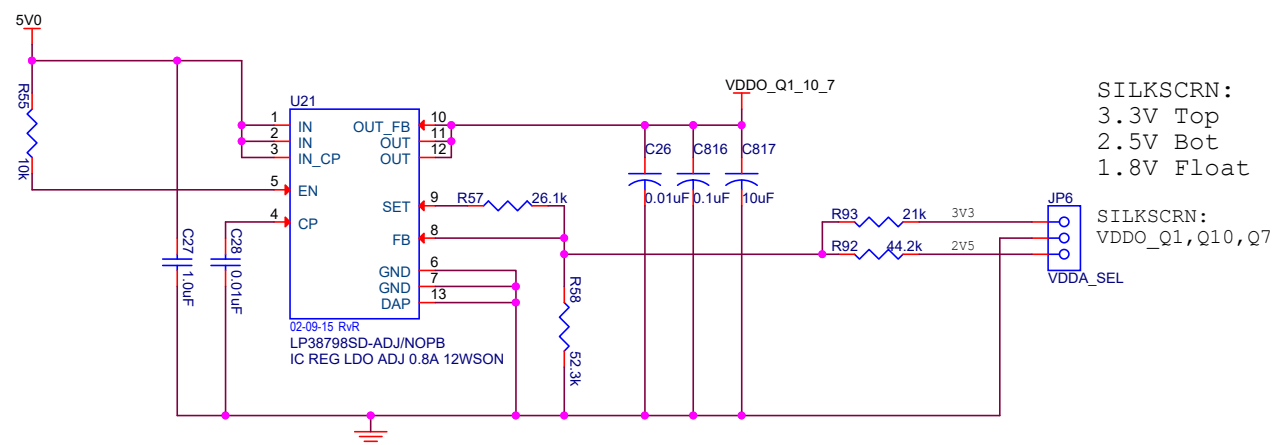
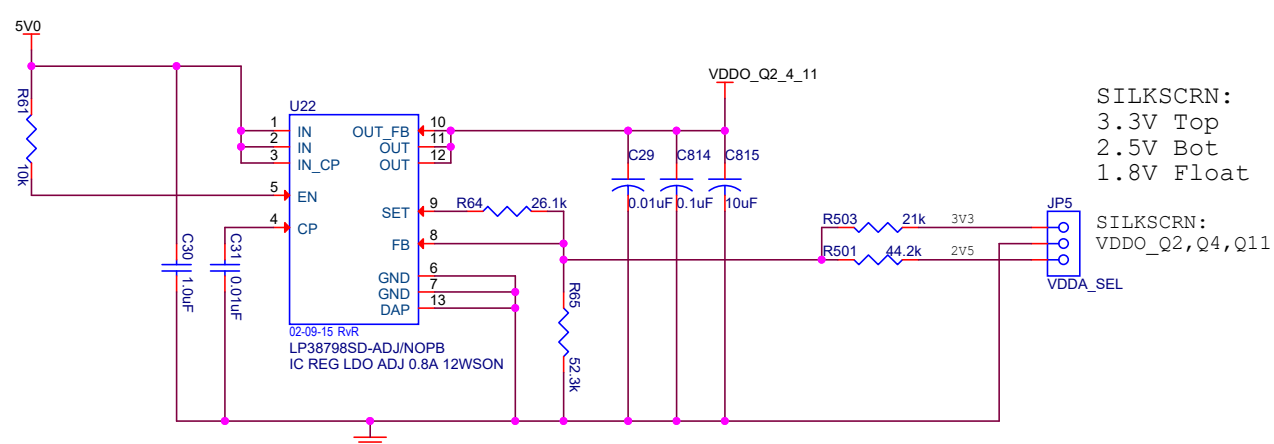
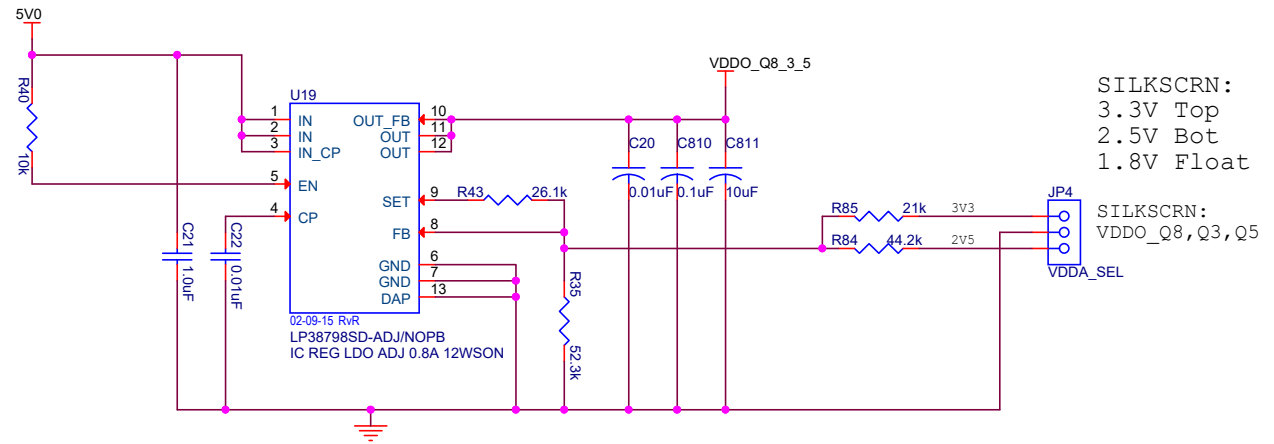


Title		
<Title>		
Size	Document Number	Rev
C	<Doc>	<Rev Code>
Date:	Wednesday, July 08, 2020	Sheet 1 of 1

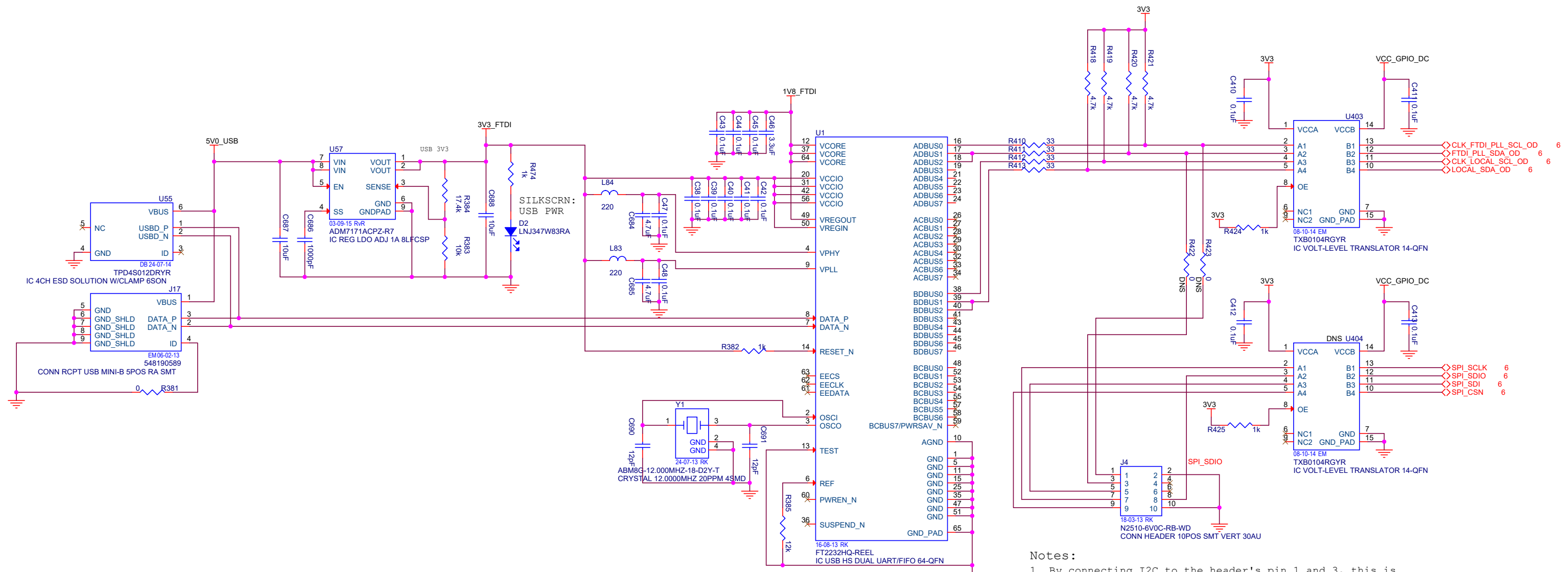
Board 3V3



PROJECT NAME	Indira3		Fidus Systems	
DESIGN	DB		375 Terry Fox Drive, Ottawa, ON K2K 0J8	
TITLE	IDT8A34043			
SUBTITLE	Power Supplies 1			
DRAWING NUMBER	SK-10280-01	REVISION	1.2	
RELEASE DATE	27 October 2016	SHEET	2 OF 9	




PROJECT NAME	Indira3		Fidus Systems 375 Terry Fox Drive, Ottawa, ON K2K 0J8	
DESIGN	TITLE IDT8A34043			
DRAWN	SUBTITLE Power Supplies 2			
DB	DRAWING NUMBER SK-10280-01		REVISION 1.2	
CHECK	RELEASE DATE 27 October 2016			SHEET 3 OF 9
DB				



Notes:

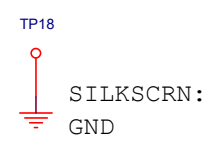
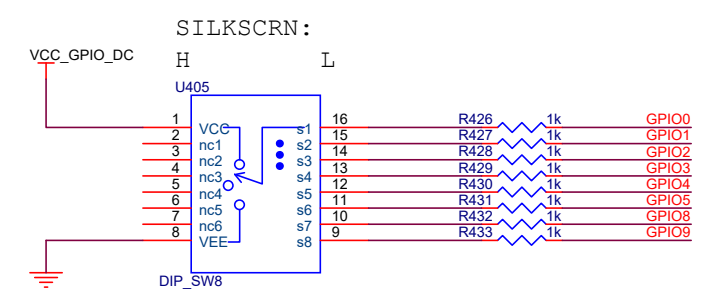
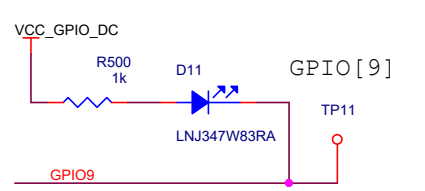
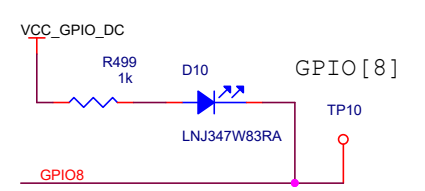
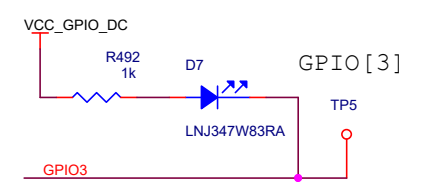
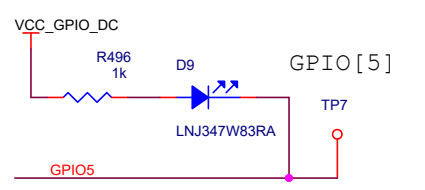
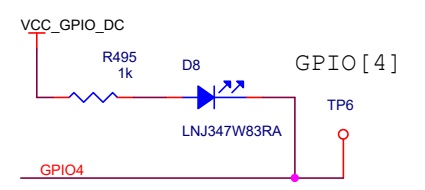
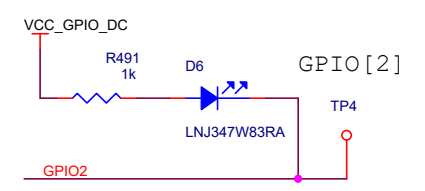
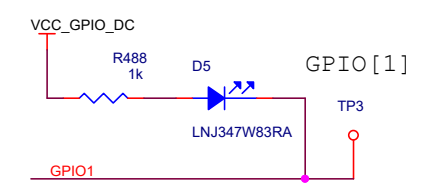
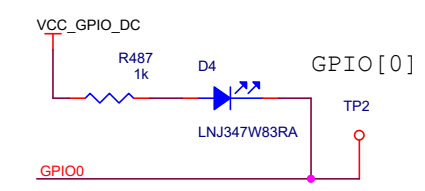
1. By connecting I2C to the header's pin 1 and 3, this is to give I2C access to external I2C master;
2. By installing R926 and R927, FTDI can also access Aux I2C port (also removing R87 and R88). This feature is not expected to be used.
3. Normal use: FTDI controls I2C port; Header is connected to Aux port in SPI configuration.

PROJECT NAME	Indira3		 Fidus Systems 375 Terry Fox Drive, Ottawa, ON K2K 0J8	
DESIGN	TITLE			
DB	IDT8A34043			
DRAWN	SUBTITLE			
DB	FTDI USB Interface			
CHECK	DRAWING NUMBER			REVISION
DB	SK-10280-01			1.2
	RELEASE DATE			SHEET
DB	27 October 2016			4 OF 9

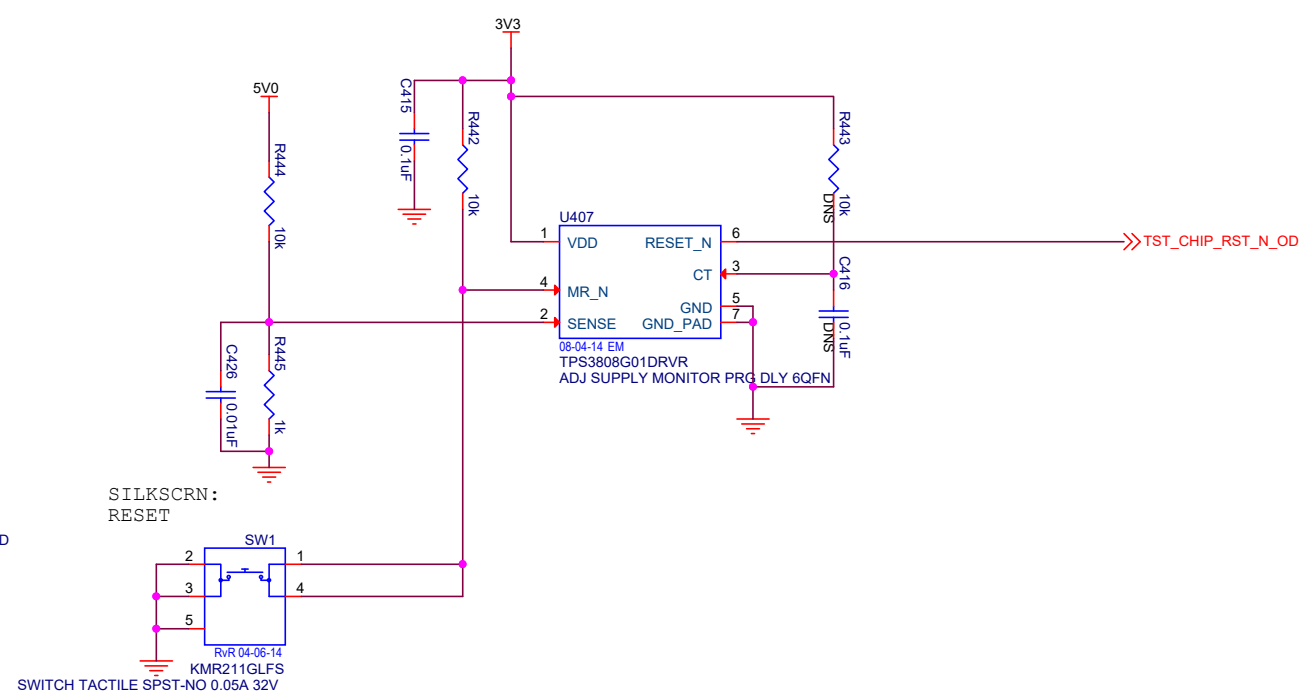
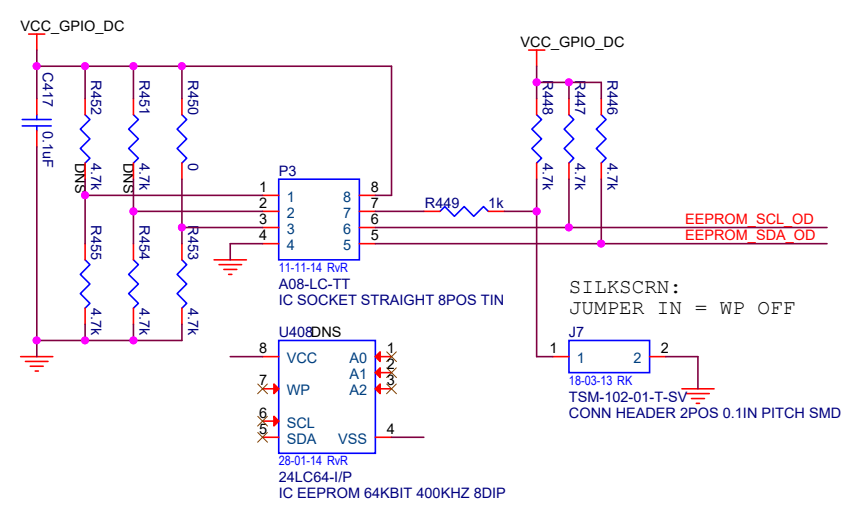
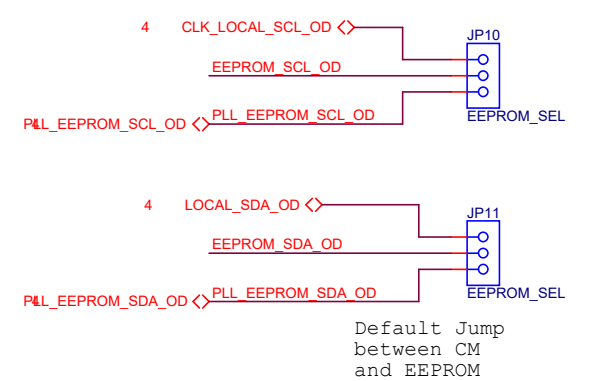
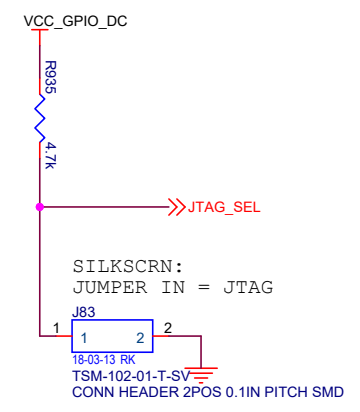
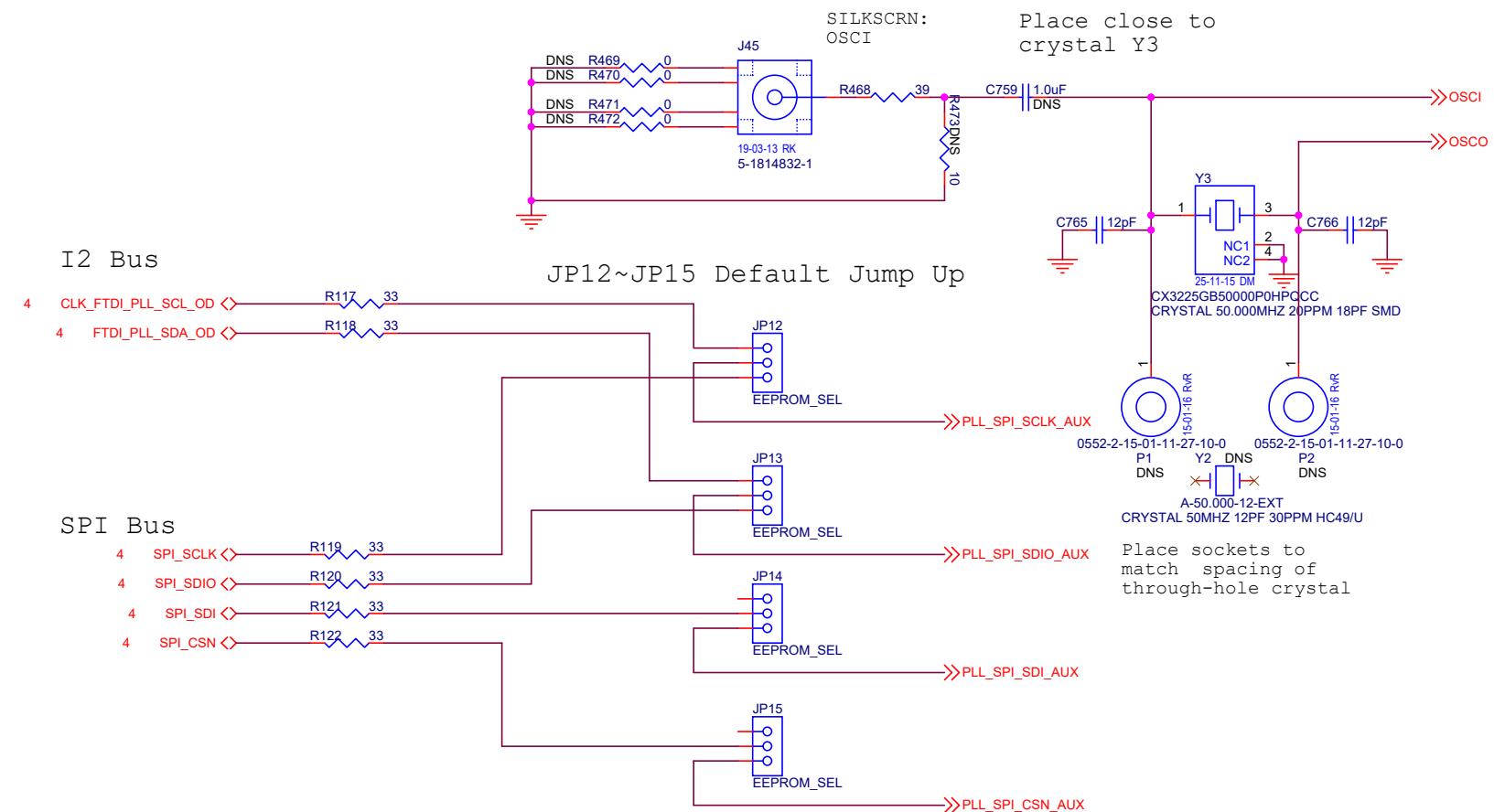
Note for Silkscreen:
Place GPIO[x] label close to each
corresponding LED and Test point.

- 6 GPIO0 <- GPIO0
- 6 GPIO1 <- GPIO1
- 6 GPIO2 <- GPIO2
- 6 GPIO3 <- GPIO3
- 6 GPIO4 <- GPIO4
- 6 GPIO5 <- GPIO5

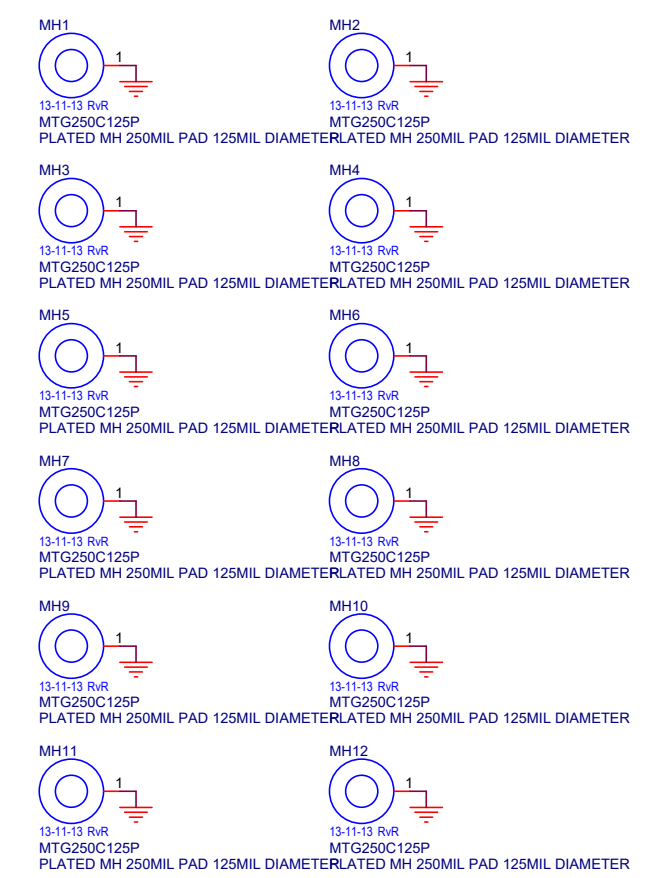
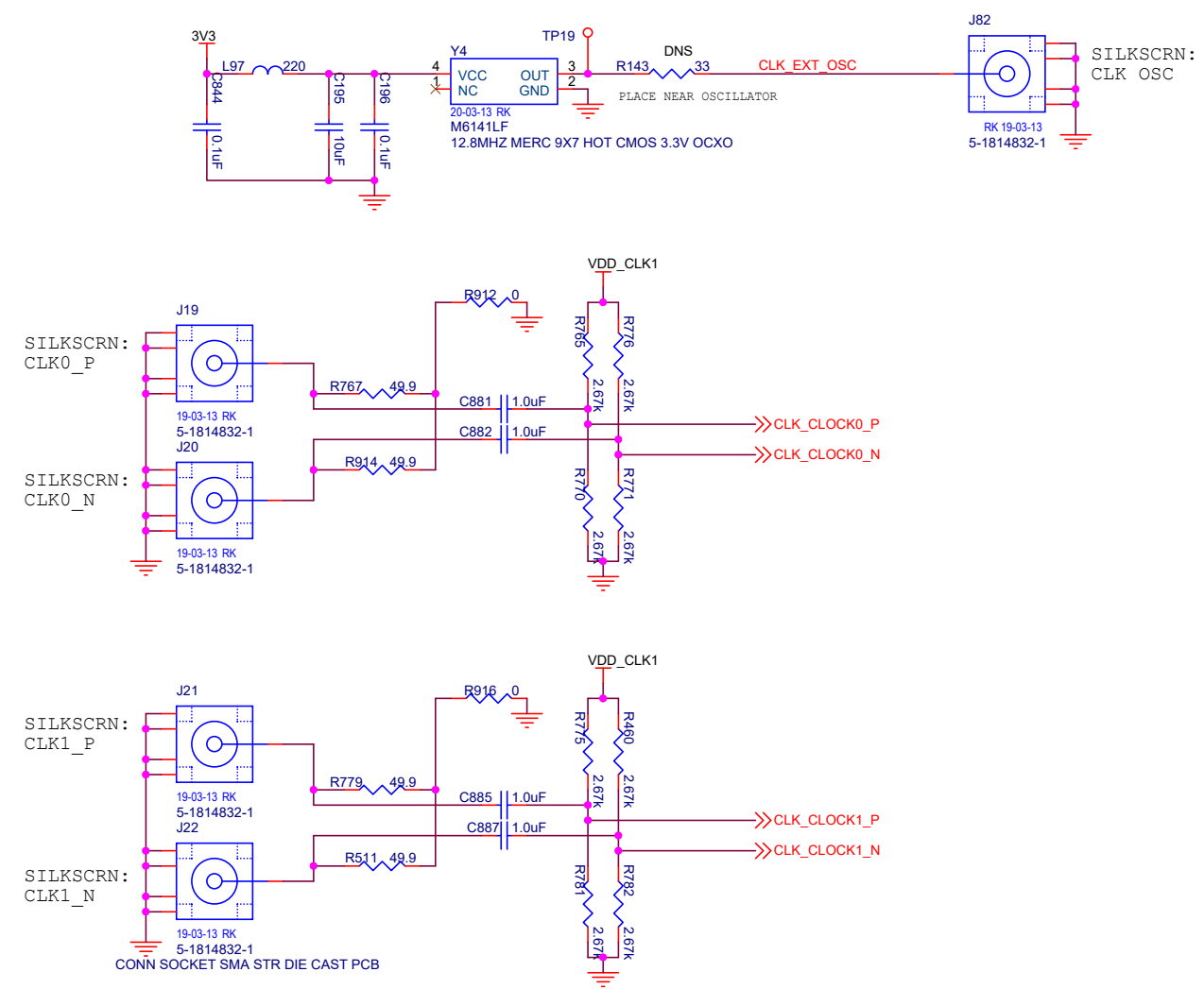
- 6 GPIO8 <- GPIO8
- 6 GPIO9 <- GPIO9




PROJECT NAME	Indira3	fidus	Fidus Systems
DESIGN	RK	375 Terry Fox Drive, Ottawa, ON K2K 0J8	
DRAWN	RK	IDT8A34043	
CHECK	DB	GPIO LEDs	
		DRAWING NUMBER	REVISION
		SK-10280-01	1.2
		RELEASE DATE	SHEET
		27 October 2016	5 OF 9

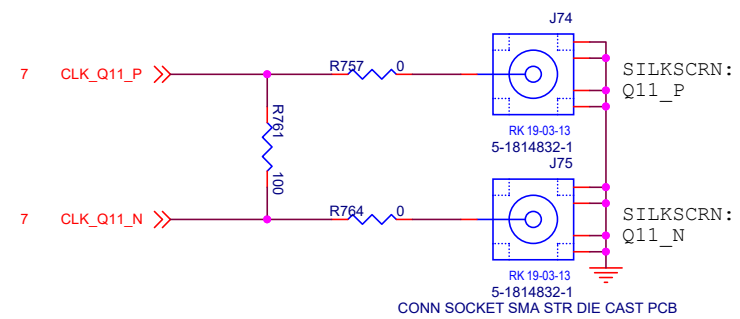
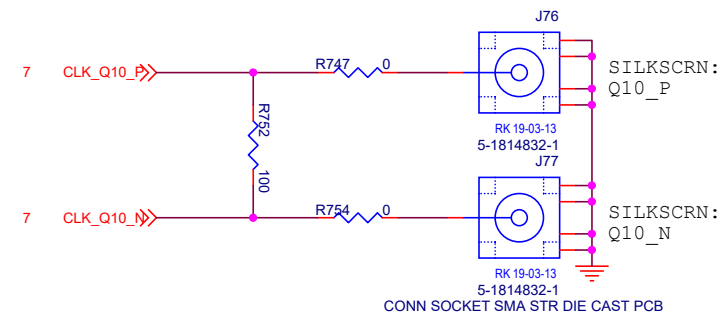
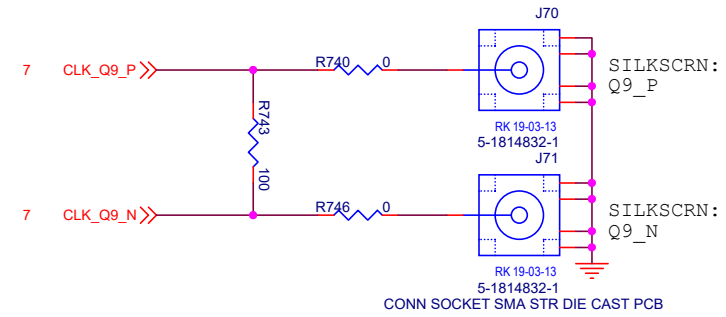
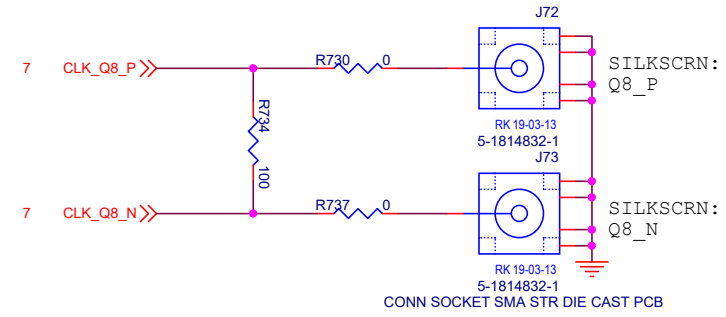



PROJECT NAME	Indira3		Fidus Systems	
DESIGN	DB		375 Terry Fox Drive, Ottawa, ON K2K 0J8	
TITLE	IDT8A34043			
DESIGN	SUBTITLE			
DRAWN	PLL Core			
DB	DRAWING NUMBER		REVISION	
CHECK	SK-10280-01		1.2	
DB	RELEASE DATE		SHEET	
	27 October 2016		6 OF 9	

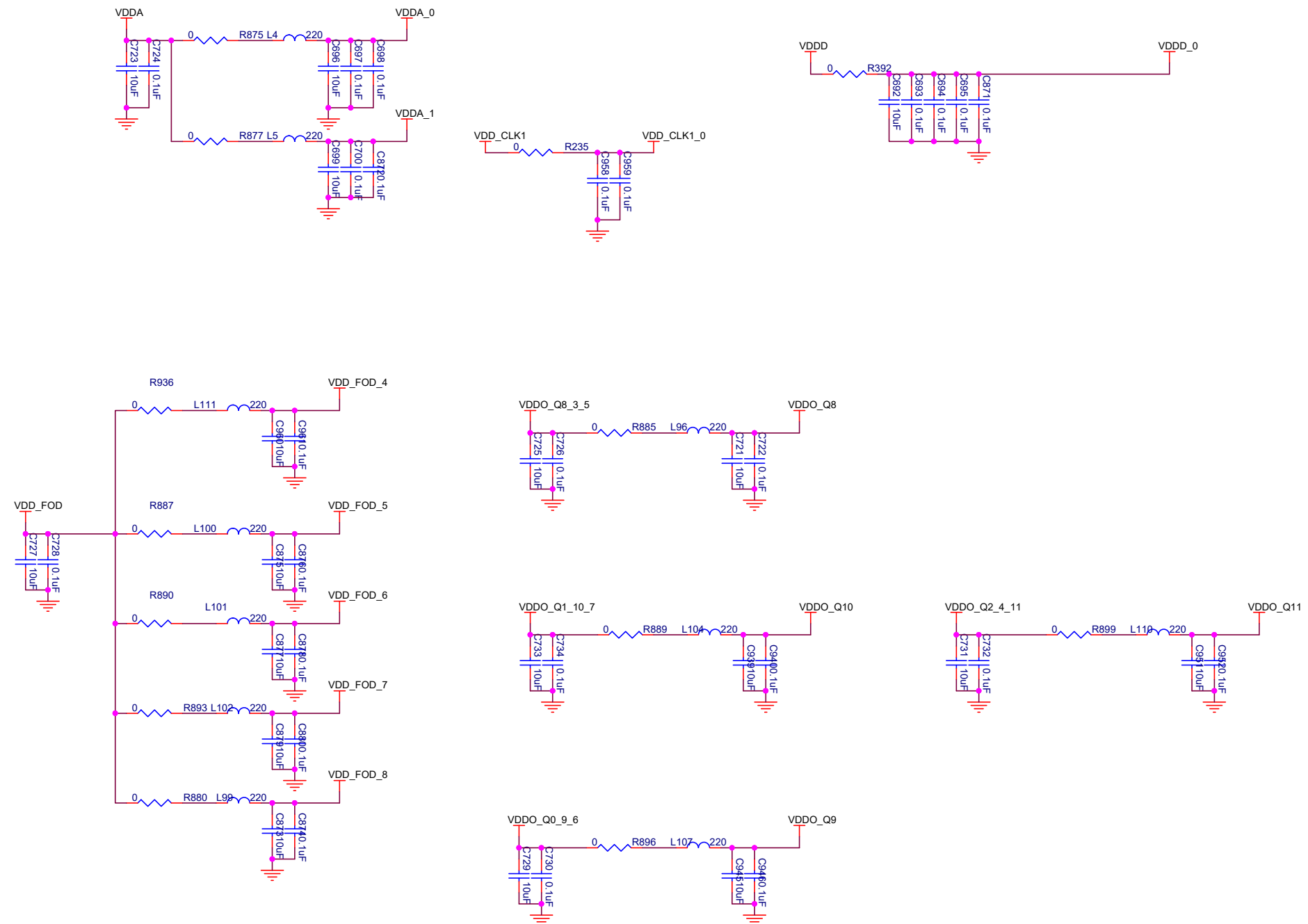


PROJECT NAME		Indira3		 Fidus Systems 375 Terry Fox Drive, Ottawa, ON K2K 0J8	
DESIGN		TITLE			
RK		IDT8A34043			
DRAWN		SUBTITLE			
RK		PLL Input Clocks			
CHECK		DRAWING NUMBER		REVISION	
DB		SK-10280-01		1.2	
		RELEASE DATE		SHEET	
		27 October 2016		7 OF 9	

PLACE PARALLEL
TERMINATIONS
CLOSE TO U58



PROJECT NAME	Fidus Systems	
Indira3	 fidus	375 Terry Fox Drive, Ottawa, ON K2K 0J8
DESIGN	TITLE	
DB	IDT8A34043	
DRAWN	SUBTITLE	
DB	PLL Output Clocks	
CHECK	DRAWING NUMBER	REVISION
DB	SK-10280-01	1.2
	RELEASE DATE	SHEET
	27 October 2016	8 OF 9



PROJECT NAME	Indira3		Fidus Systems 375 Terry Fox Drive, Ottawa, ON K2K 0J8	
DESIGN	TITLE IDT8A34043			
DRAWN	SUBTITLE PLL Power			
CHECK	DRAWING NUMBER SK-10280-01		REVISION 1.2	
DB	RELEASE DATE 27 October 2016		SHEET 9 OF 9	