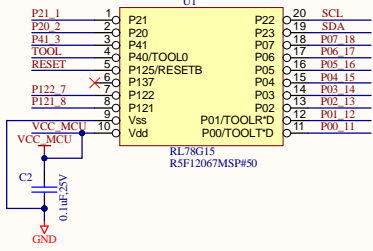
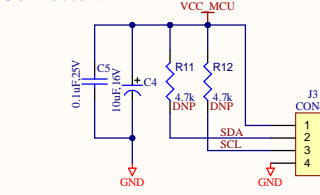


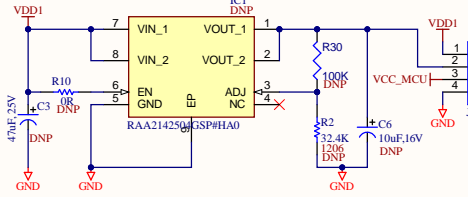
### MCU Section:



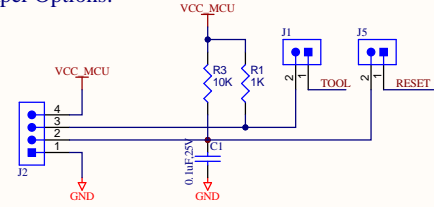
### I2C Connector:



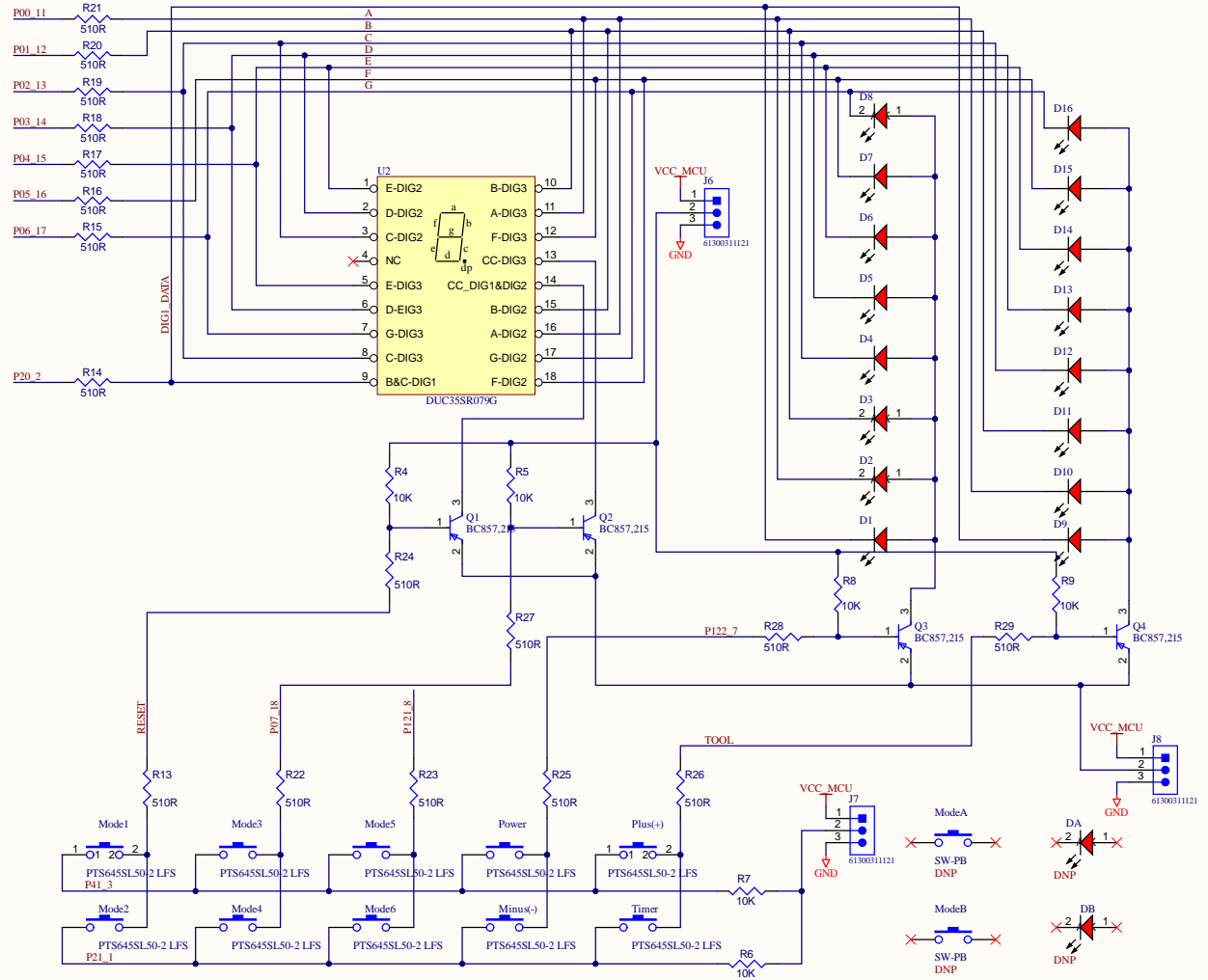
### Aux Power Supply:



### Jumper Options:



### Indication LED & Display:



### AS048-HMI Card

AS-048_V4_DSPLY.sch				
Release Date: 2/2/2024	Revision: 03	Drawn by: Gaurav	Checked by: Nitin	Approved by: Nitin
Last Updated: 2/2/2024				
SHEET 1 OF 1	SIZE A3	Renesas Electronics India Pvt Ltd, Bangalore, India.		