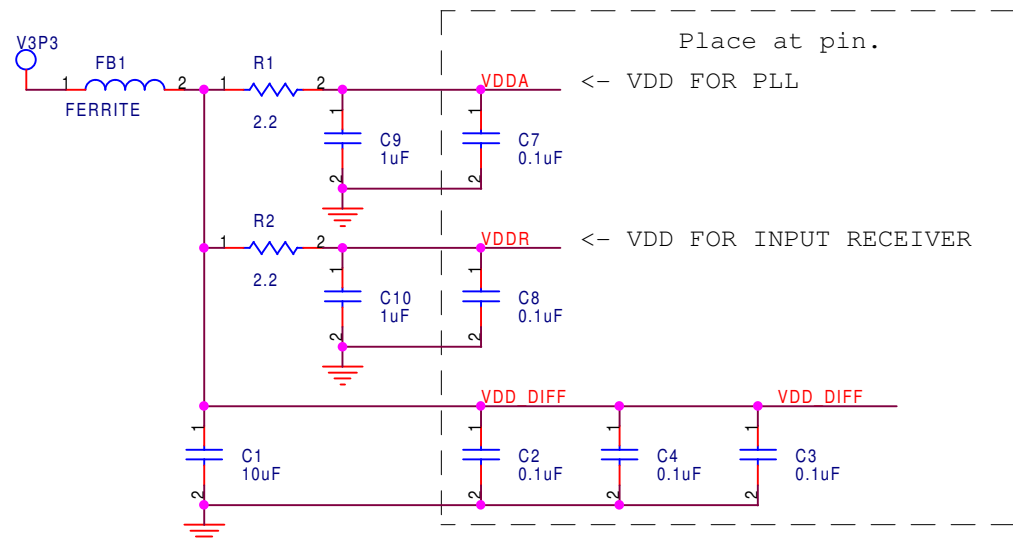
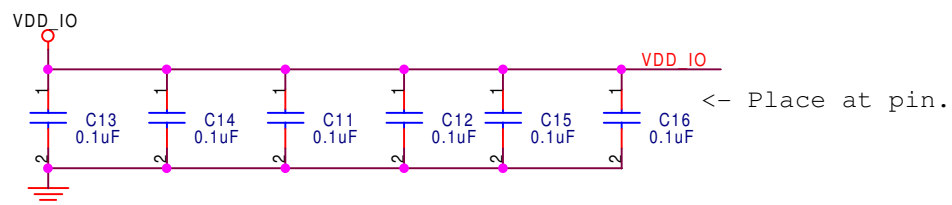


VDD\_IO May be 1.05 to 3.3 volts



HibW BypM LoBW# MODE

Low	PLL Lo BW
Mid	Bypass
High	PLL Hi BW

NOTE: PLL is OFF in Bypass Mode

NOTE:FERRITE BEADS =

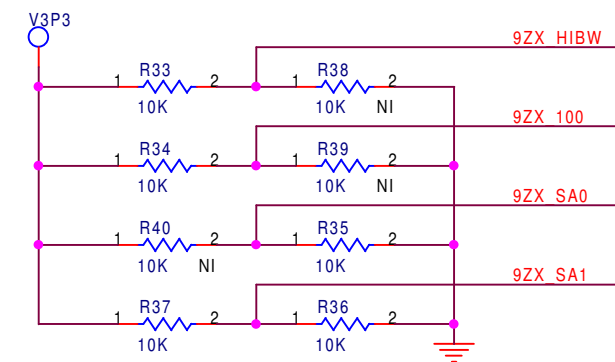
Manufacture	Part Number	Z@100MHz	PkgSz	DC res.	Current (Ma)
muRata	BLM21A601R	600	0805	0.30	600
TDK	MMZ2012S601A	600	0805	0.30	600
STEWART	HZ0805E601R	600	0805	0.30	600
AssocCmpTch	CBG0805-600-50	600	0805	0.30	600

Impedance dependent resistor values

Resistor	Zdiff = 100 ohm	Zdiff = 85 ohm
Series	33 5%	27 5%

Tri-Level

SMB A1	SMB A0	Add
0	0	D8
0	M	DA
0	1	DE
M	0	C2
M	M	C4
M	1	C6
1	0	CA
1	M	CC
1	1	CE



CONFIGURATION SHOWN = HIGH\_BANDWIDTH, 100 MHz, SMBus ADDRESS=0xc2

**Integrated Device Technology**  
 6024 Silver Creek Valley Road  
 San Jose, CA

Title: 9ZXL1530

Size B | Document Number | Rev 0.1

Date: Friday, March 02, 2012 | Sheet 1 of 1

Revision history

Rev	Change
0.1	First publication