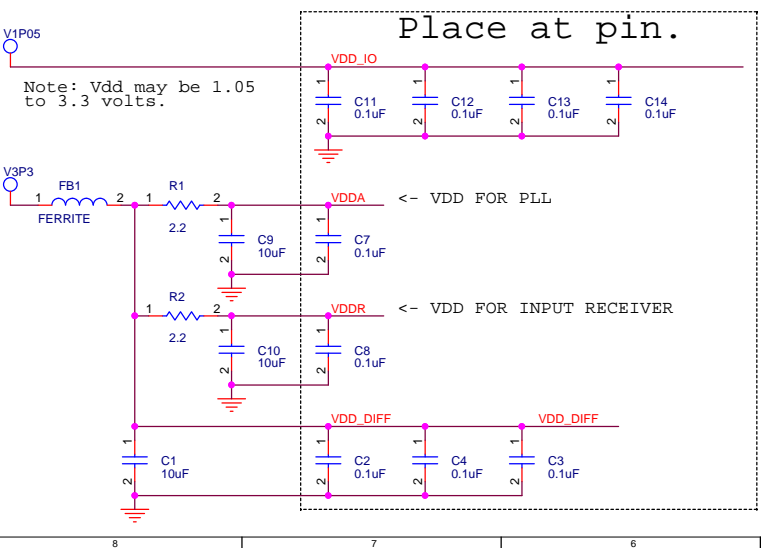


9ZXL1231 SERIES RESISTORS SHOWN FOR 85 OHM DIFFENENTIAL FOR 100 OHM DIFFERENTIAL USE 33 OHM RESISTORS
 9ZXL1251 85 OHM DIFFENENTIAL DOES NOT NEED SERIES RESISTORS.

Only 4 thermal vias needed.



Tri-Level

SMB_A1	SMB_A0	Add
0	0	D8
0	M	DA
0	1	DE
M	0	C2
M	M	C4
M	1	C6
1	0	CA
1	M	CC
1	1	CE

HiBW_BypM_LoBW# MODE
 Low PLL Lo BW
 Mid Bypass
 High PLL Hi BW

NOTE: PLL is OFF in Bypass Mode

NOTE:FERRITE BEADS =

Manufacture	Part Number	Z@100MHz	PkgSz	DC res.	Current(Ma)
muRata	BLM21AG601SN1	600	0805	0.30	600
TDK	MMZ2012S601A	600	0805	0.30	600
STEWART	HZ0805E601R	600	0805	0.30	600
AssocCmpTch	CBG0805-600-50	600	0805	0.30	600

Impedance dependent resistor values

Resistor	Zdiff =	Zdiff =
9ZXL1231	100 ohm	85 ohm
Series	33 5%	27 5%
9ZXL1251	100 ohm	85 ohm
Series	NA	0

Revision history

Rev	Change
0.1	First publication

Integrated Device Technology
 6024 Silver Creek Valley Road
 San Jose, CA

Title: 9ZXL1231 Power Filter

Size B Document Number Rev 0.2

Date: Monday, December 11, 2017 Sheet 1 of 1