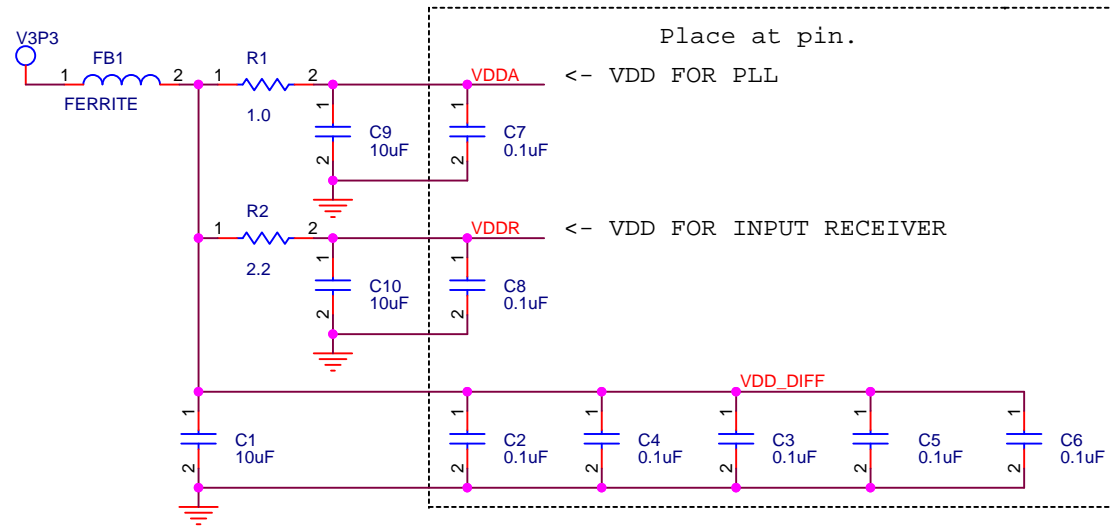
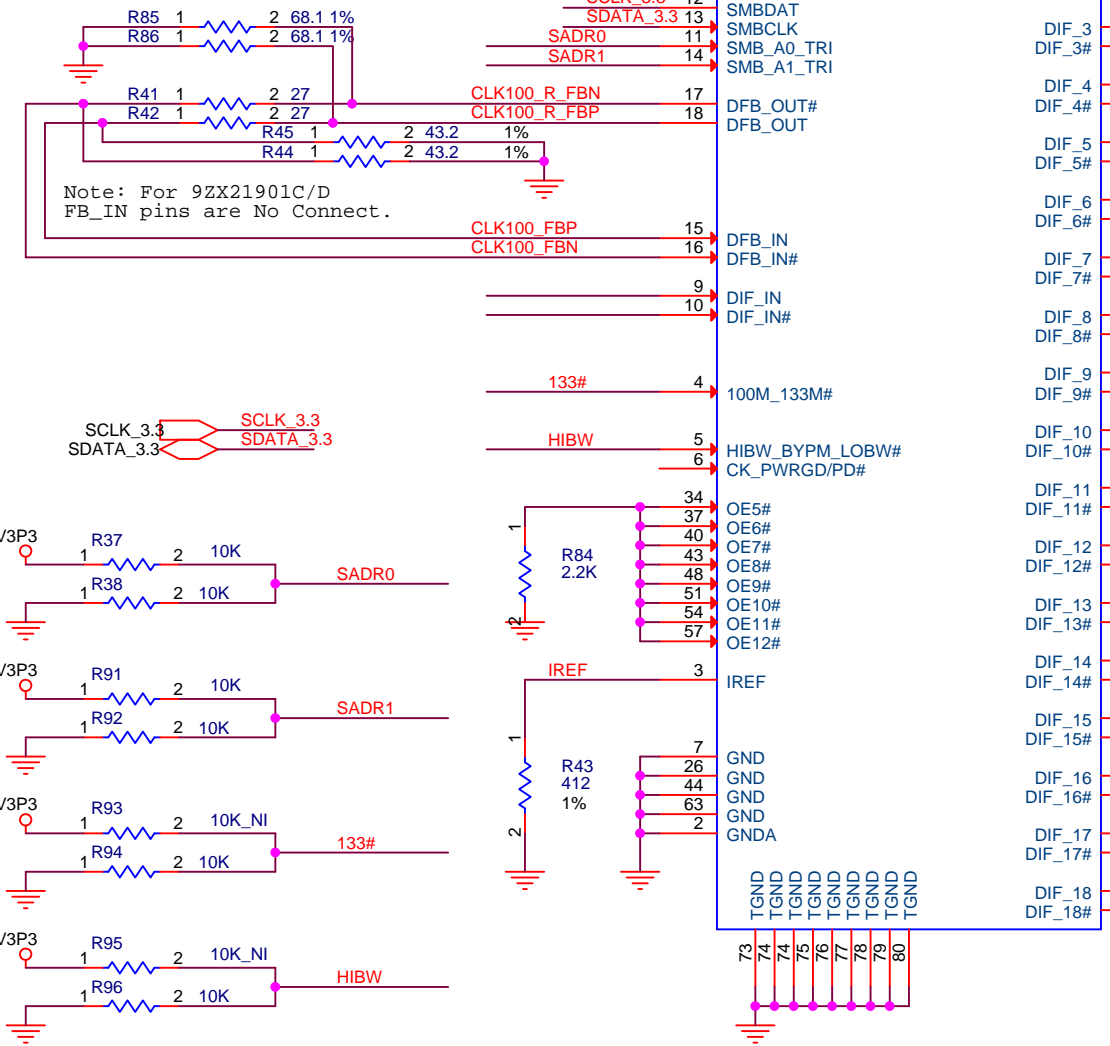


Overlap pads R85.2 and R41.2
 Overlap pads R86.2 and R42.2
 For 9ZX21901C/D insert R85 & R86
 For 9ZX21901B insert R41/R45 & R42/R44

For existing boards with external feedback use these resistor values
 R41 & R42 use 68.1 1%, R44 & R45 = 0 ohms.



9ZX21901 Smbus Addressing

SMB_PIN	Address
A1	A0
L	L
L	M
L	H
M	L
M	M
M	H
H	L
H	M
H	H

NOTE: FERRITE BEADS =

Manufacture	Part Number	Z@100MHz	PkgSz	DC res.	Current (Ma)
muRata	BLM21AG601SN1	600	0805	0.30	600
TDK	MMZ2012S601A	600	0805	0.30	600
STEWART	HZ0805E601R	600	0805	0.30	600
AssocCmpTch	CBG0805-600-50	600	0805	0.30	600

Impedance dependent resistor values

Resistor	Zdiff = 100 ohm	Zdiff = 85 ohm
IREF	475 1%	412 1%
Series	33 5%	27 5%
Shunt	49.9 1%	43.2 1%

Revision history

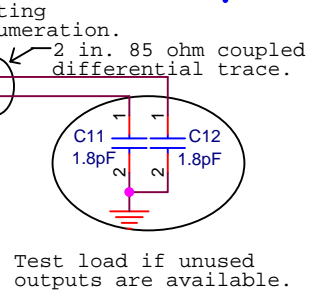
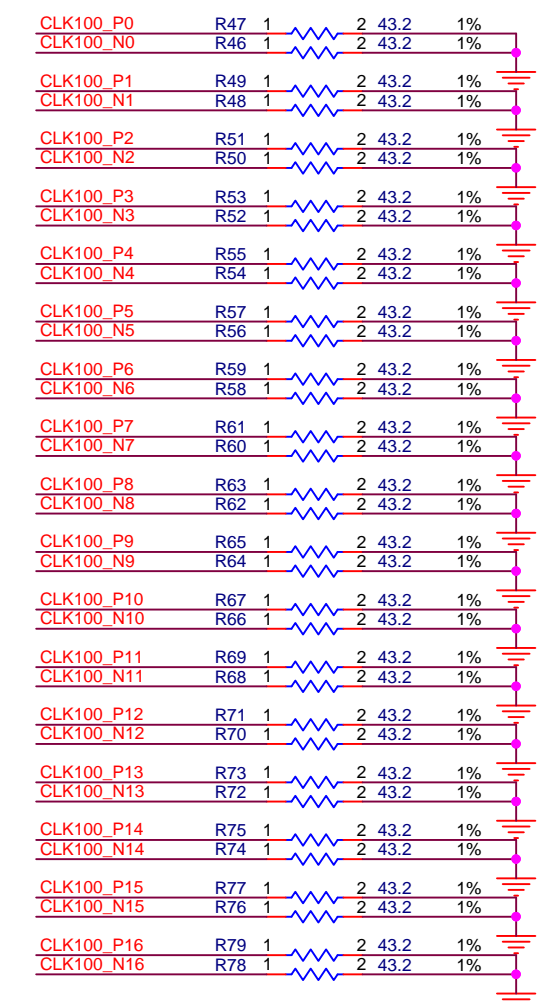
Rev	Change
0.2	First publication
0.3	Update IRef value for 85 ohm differential
0.4	Add termination note.
0.5	Add note for FB_IN
0.6	Add note for B/C dual layout
0.7	UPDATE MURATA FB PN

Integrated Device Technology
 6024 Silver Creek Valley Road
 San Jose, CA

Title: ICS9ZX21901

Size B Document Number Rev 0.8

Date: Tuesday, March 13, 2018 Sheet 1 of 1



Test load if unused outputs are available.

Do not terminate unused outputs. Leave floating and stop with BIOS during PCI PnP device enumeration.