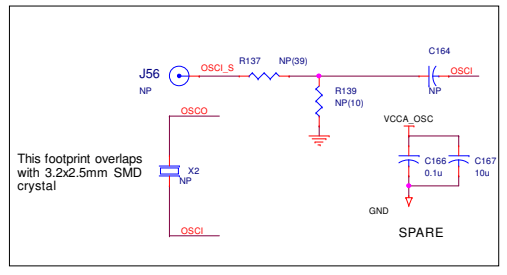
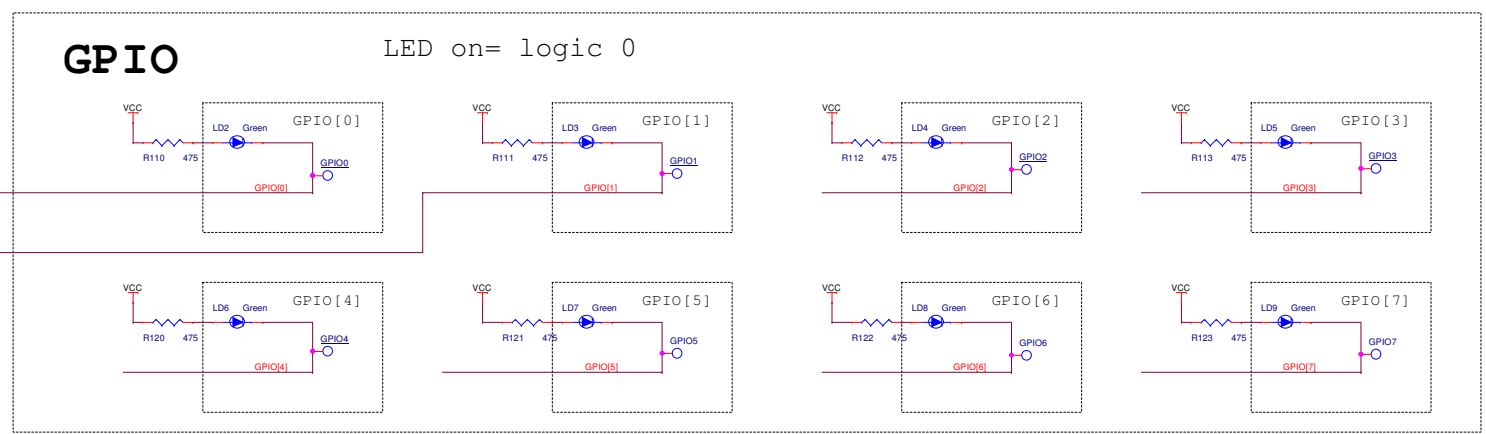
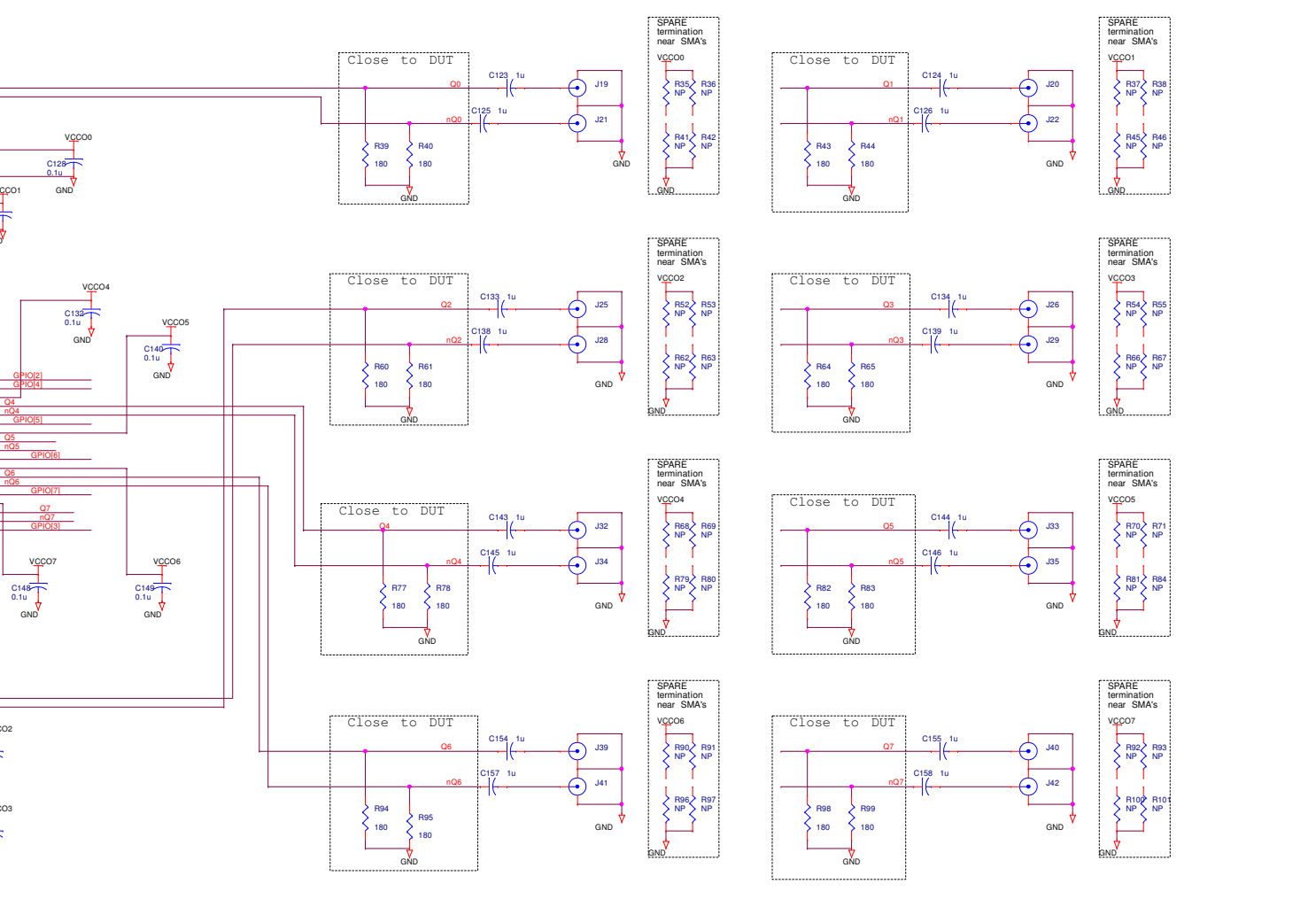


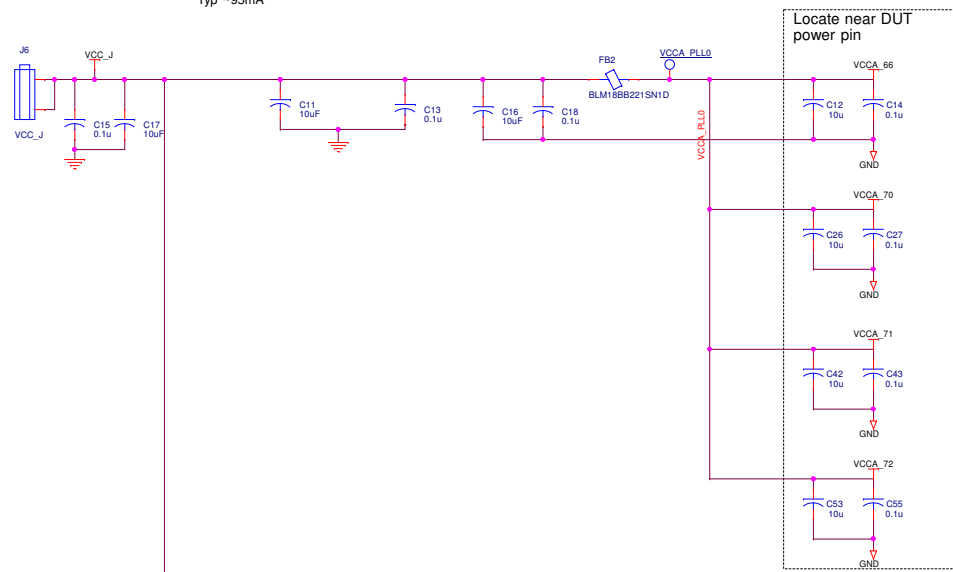
Outputs can be configured to LVPECL, LVDS or LVCMOS drivers

AC coupling capacitors space can be used for series termination for LVCMOS outputs configuration.



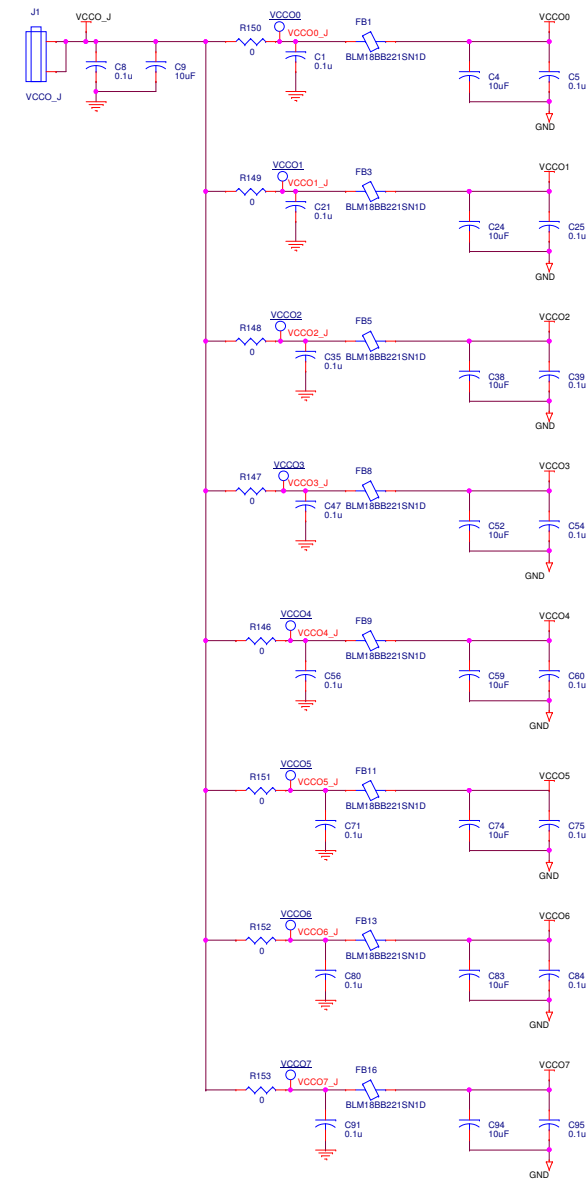
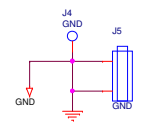
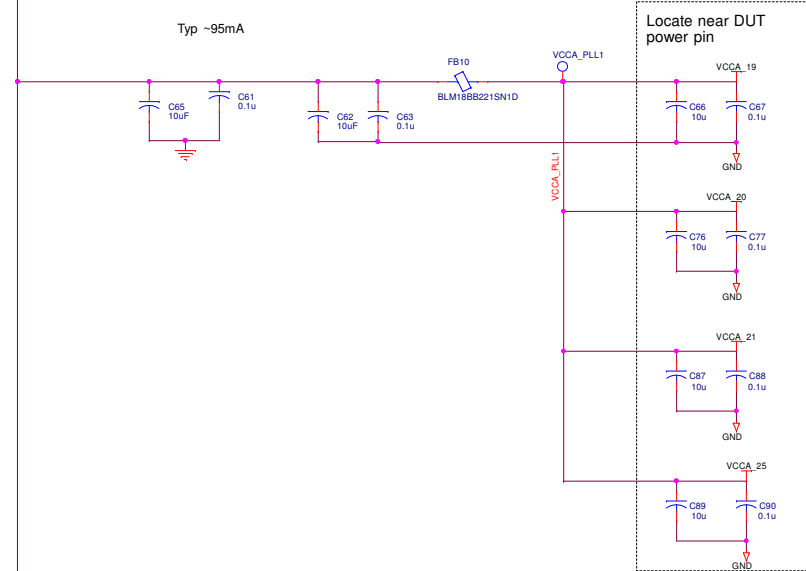
Add Label on the jumpers

Typ ~95mA

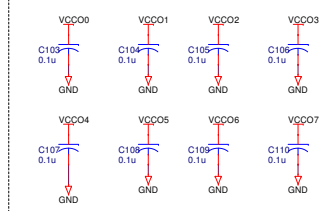


Typ ~95mA

Locate near DUT power pin



Close to the DUT



Silkscreen labels:

- Jumpers
- Connectors, SMA's, Banana Jacks
- LED's
- Push Button
- Pin 1 location on IC's, Headers
- Test Points