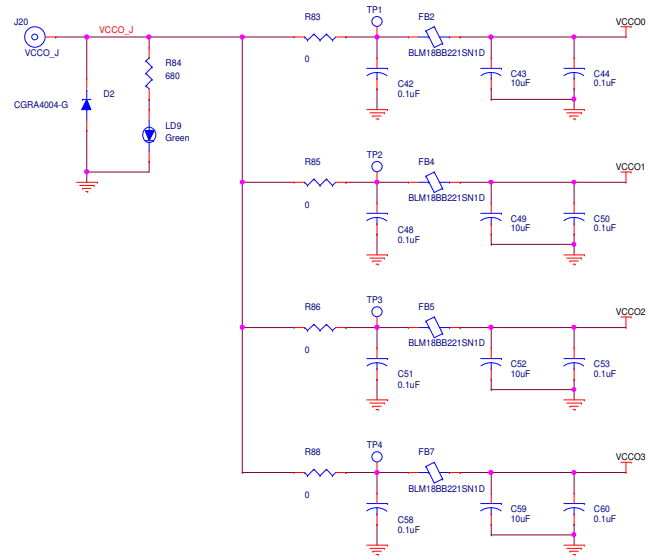
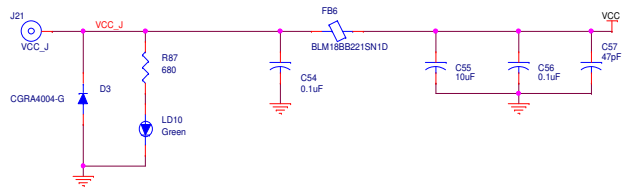
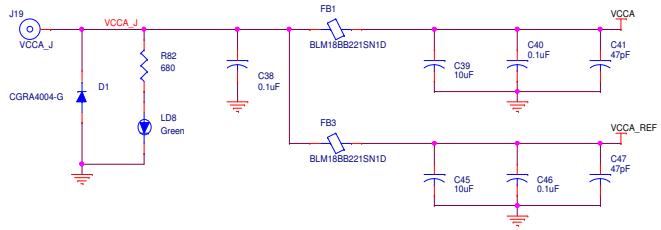


Title		
8149N24x EVB Schematic		
Size	Document Number	Rev
C	<Doc>	A
Date:	Monday, June 29, 2015	Sheet 2 of 3



Title		
8T49N24x EVB Schematic		
Size	Document Number	Rev
C	<Doc>	A
Date:	Monday, June 29, 2015	Sheet 3 of 3