

8

7

6

5

4

3

2

1

REVISIONS

DCN	REV	DESCRIPTION	DATE	CHANGE BY
	B	INITIAL RELEASE	2010-10-20	D. HUANG

# IDT 89HP0602Q (20-QFN) USB 3.0 EVALUATION BOARDS

## TABLE OF CONTENTS

89HP0602Q, POWER.....2

89HP0602Q, USB CONNECTORS....3



CONFIDENTIAL PROPERTY OF INTEGRATED DEVICE TECHNOLOGY, INC.  
 6024 SILVER CREEK VALLEY ROAD, SAN JOSE, CA 95138  
 COPYRIGHT (C) 2010 IDT

TITLE 89HP0602Q Evaluation Boards			
SIZE B	DRAWING NO. P0602Q-U/S-EB-001	FAB P/N 18-702-001	REV. B
AUTHOR K. Leung		CHECKED BY D. Huang	
Thu Oct 21 00:31:38 2010			SHEET 1 OF 3

8

7

6

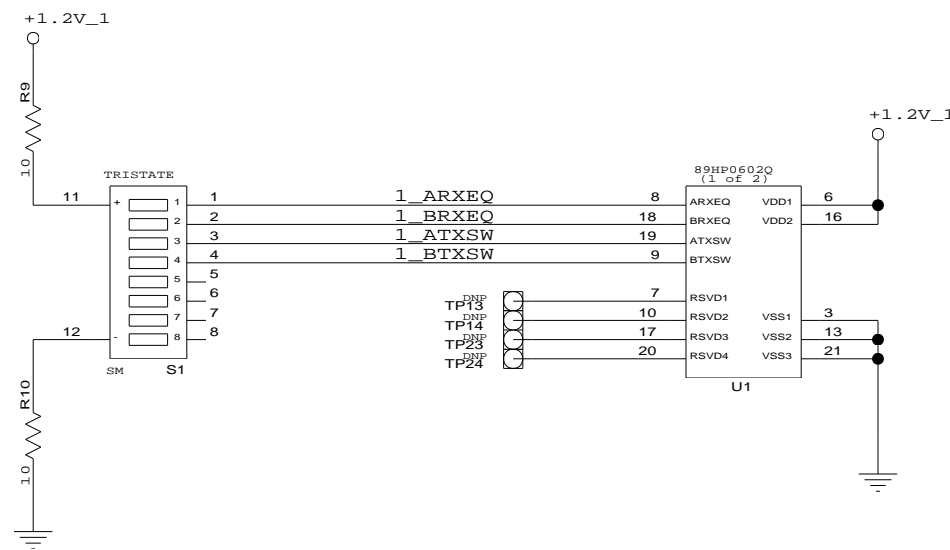
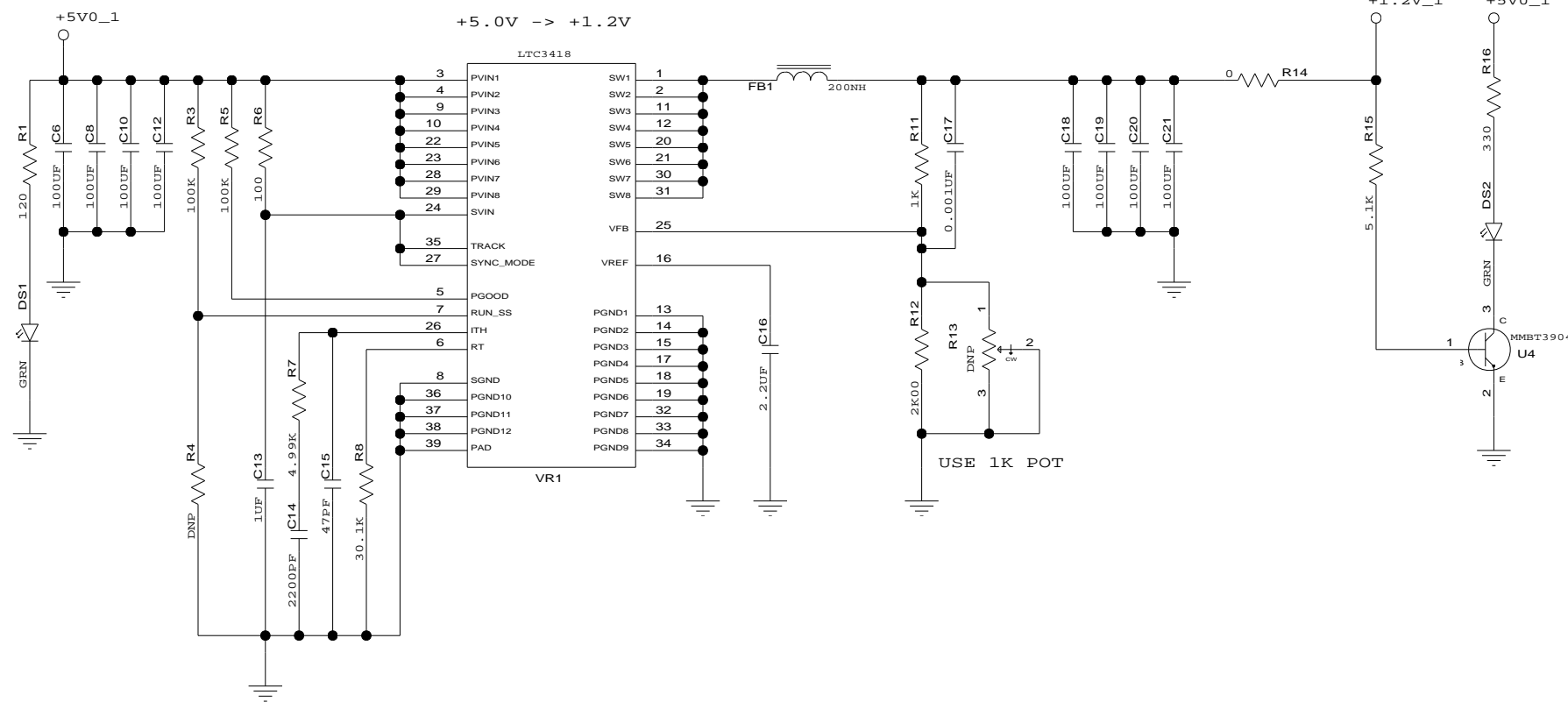
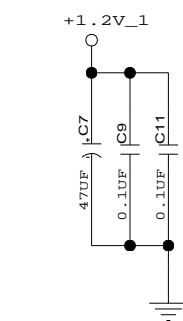
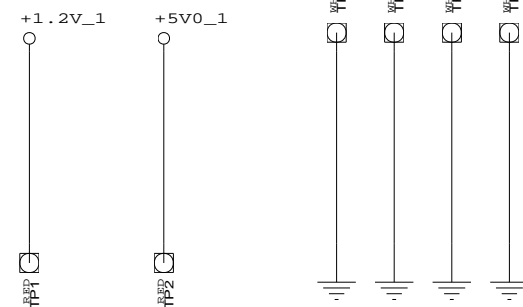
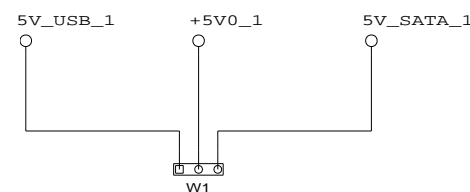
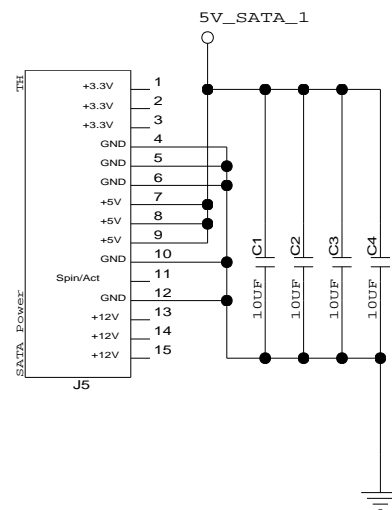
5


4

3

2

1



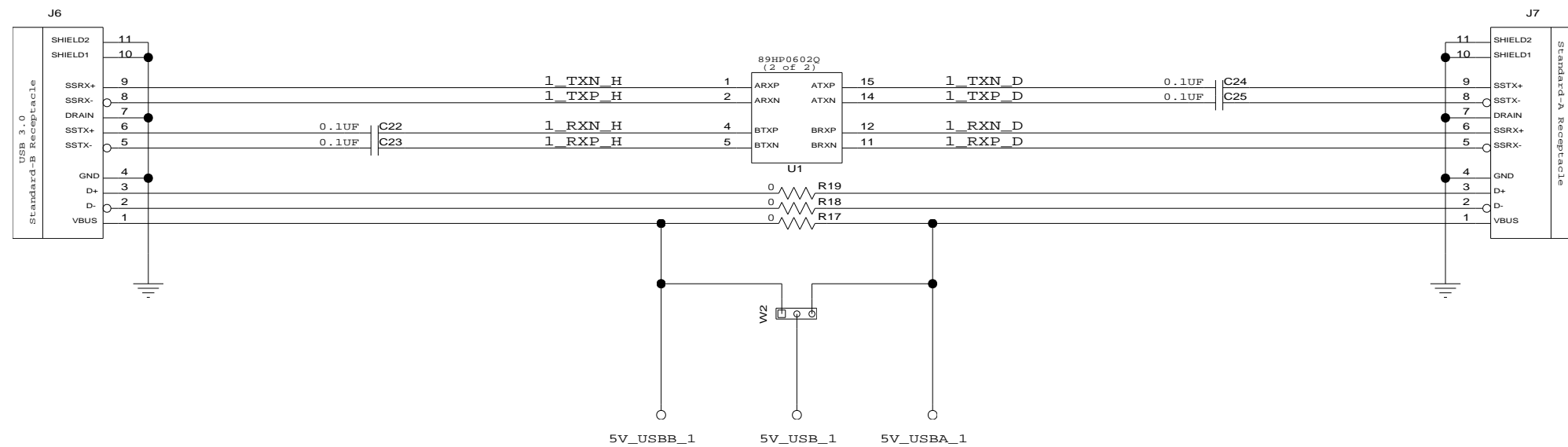


CONFIDENTIAL PROPERTY OF INTEGRATED DEVICE TECHNOLOGY, INC.  
6024 SILVER CREEK VALLEY ROAD, SAN JOSE, CA 95138  
COPYRIGHT (C) 2010 IDT

TITLE 89HP0602Q Evaluation Boards

### 89HP0602Q, POWER

SIZE	DRAWING NO.	FAB P/N	REV.
B	P0602Q-U/S-EB-001	18-702-001	B
AUTHOR		CHECKED BY	
K. Leung		D. Huang	
Thu Oct 21 00:31:52 2010			SHEET 2 OF 3



CONFIDENTIAL PROPERTY OF INTEGRATED DEVICE TECHNOLOGY, INC.  
 6024 SILVER CREEK VALLEY ROAD, SAN JOSE, CA 95138  
 COPYRIGHT (C) 2010 IDT

TITLE 89HP0602Q Evaluation Boards

89HP0602Q, USB CONNECTORS

SIZE B	DRAWING NO. P0602Q-U/S-EB-001	FAB P/N 18-702-001	REV. B
-----------	----------------------------------	-----------------------	-----------

AUTHOR K. Leung	CHECKED BY D. Huang
--------------------	------------------------

Thu Oct 21 00:31:52 2010

SHEET 3 OF 3