

To our customers,

Old Company Name in Catalogs and Other Documents

On April 1st, 2010, NEC Electronics Corporation merged with Renesas Technology Corporation, and Renesas Electronics Corporation took over all the business of both companies. Therefore, although the old company name remains in this document, it is a valid Renesas Electronics document. We appreciate your understanding.

Renesas Electronics website: <http://www.renesas.com>

April 1st, 2010
Renesas Electronics Corporation

Issued by: Renesas Electronics Corporation (<http://www.renesas.com>)

Send any inquiries to <http://www.renesas.com/inquiry>.

Notice

1. All information included in this document is current as of the date this document is issued. Such information, however, is subject to change without any prior notice. Before purchasing or using any Renesas Electronics products listed herein, please confirm the latest product information with a Renesas Electronics sales office. Also, please pay regular and careful attention to additional and different information to be disclosed by Renesas Electronics such as that disclosed through our website.
2. Renesas Electronics does not assume any liability for infringement of patents, copyrights, or other intellectual property rights of third parties by or arising from the use of Renesas Electronics products or technical information described in this document. No license, express, implied or otherwise, is granted hereby under any patents, copyrights or other intellectual property rights of Renesas Electronics or others.
3. You should not alter, modify, copy, or otherwise misappropriate any Renesas Electronics product, whether in whole or in part.
4. Descriptions of circuits, software and other related information in this document are provided only to illustrate the operation of semiconductor products and application examples. You are fully responsible for the incorporation of these circuits, software, and information in the design of your equipment. Renesas Electronics assumes no responsibility for any losses incurred by you or third parties arising from the use of these circuits, software, or information.
5. When exporting the products or technology described in this document, you should comply with the applicable export control laws and regulations and follow the procedures required by such laws and regulations. You should not use Renesas Electronics products or the technology described in this document for any purpose relating to military applications or use by the military, including but not limited to the development of weapons of mass destruction. Renesas Electronics products and technology may not be used for or incorporated into any products or systems whose manufacture, use, or sale is prohibited under any applicable domestic or foreign laws or regulations.
6. Renesas Electronics has used reasonable care in preparing the information included in this document, but Renesas Electronics does not warrant that such information is error free. Renesas Electronics assumes no liability whatsoever for any damages incurred by you resulting from errors in or omissions from the information included herein.
7. Renesas Electronics products are classified according to the following three quality grades: “Standard”, “High Quality”, and “Specific”. The recommended applications for each Renesas Electronics product depends on the product’s quality grade, as indicated below. You must check the quality grade of each Renesas Electronics product before using it in a particular application. You may not use any Renesas Electronics product for any application categorized as “Specific” without the prior written consent of Renesas Electronics. Further, you may not use any Renesas Electronics product for any application for which it is not intended without the prior written consent of Renesas Electronics. Renesas Electronics shall not be in any way liable for any damages or losses incurred by you or third parties arising from the use of any Renesas Electronics product for an application categorized as “Specific” or for which the product is not intended where you have failed to obtain the prior written consent of Renesas Electronics. The quality grade of each Renesas Electronics product is “Standard” unless otherwise expressly specified in a Renesas Electronics data sheets or data books, etc.
 - “Standard”: Computers; office equipment; communications equipment; test and measurement equipment; audio and visual equipment; home electronic appliances; machine tools; personal electronic equipment; and industrial robots.
 - “High Quality”: Transportation equipment (automobiles, trains, ships, etc.); traffic control systems; anti-disaster systems; anti-crime systems; safety equipment; and medical equipment not specifically designed for life support.
 - “Specific”: Aircraft; aerospace equipment; submersible repeaters; nuclear reactor control systems; medical equipment or systems for life support (e.g. artificial life support devices or systems), surgical implantations, or healthcare intervention (e.g. excision, etc.), and any other applications or purposes that pose a direct threat to human life.
8. You should use the Renesas Electronics products described in this document within the range specified by Renesas Electronics, especially with respect to the maximum rating, operating supply voltage range, movement power voltage range, heat radiation characteristics, installation and other product characteristics. Renesas Electronics shall have no liability for malfunctions or damages arising out of the use of Renesas Electronics products beyond such specified ranges.
9. Although Renesas Electronics endeavors to improve the quality and reliability of its products, semiconductor products have specific characteristics such as the occurrence of failure at a certain rate and malfunctions under certain use conditions. Further, Renesas Electronics products are not subject to radiation resistance design. Please be sure to implement safety measures to guard them against the possibility of physical injury, and injury or damage caused by fire in the event of the failure of a Renesas Electronics product, such as safety design for hardware and software including but not limited to redundancy, fire control and malfunction prevention, appropriate treatment for aging degradation or any other appropriate measures. Because the evaluation of microcomputer software alone is very difficult, please evaluate the safety of the final products or system manufactured by you.
10. Please contact a Renesas Electronics sales office for details as to environmental matters such as the environmental compatibility of each Renesas Electronics product. Please use Renesas Electronics products in compliance with all applicable laws and regulations that regulate the inclusion or use of controlled substances, including without limitation, the EU RoHS Directive. Renesas Electronics assumes no liability for damages or losses occurring as a result of your noncompliance with applicable laws and regulations.
11. This document may not be reproduced or duplicated, in any form, in whole or in part, without prior written consent of Renesas Electronics.
12. Please contact a Renesas Electronics sales office if you have any questions regarding the information contained in this document or Renesas Electronics products, or if you have any other inquiries.

(Note 1) “Renesas Electronics” as used in this document means Renesas Electronics Corporation and also includes its majority-owned subsidiaries.

(Note 2) “Renesas Electronics product(s)” means any product developed or manufactured by or for Renesas Electronics.

Renesas Starter Kit for SH7086

User's Manual

RENEASAS SINGLE-CHIP MICROCOMPUTER
SuperH™RISC engine

Table of Contents

Chapter 1. Preface	1
Chapter 2. Purpose	2
Chapter 3. Power Supply	3
3.1. Requirements	3
3.2. Power – Up Behaviour	3
Chapter 4. Board Layout	4
4.1. Component Layout	4
4.2. Board Dimensions	5
Chapter 5. Block Diagram	6
Chapter 6. User Circuitry	7
6.1. Switches	7
6.2. LEDs	7
6.3. Potentiometer	7
6.4. Serial port	8
6.5. LCD Module	8
6.6. Option Links	9
6.7. Oscillator Sources	12
6.8. Reset Circuit	12
Chapter 7. Modes	13
7.1.1. Boot mode	13
7.1.2. User Mode	13
Chapter 8. Programming Methods	14
Chapter 9. Headers	15
9.1. Microcontroller Headers	15
9.2. Application Headers	19
Chapter 10. Code Development	23
10.1. Overview	23
10.2. Compiler Restrictions	23
10.3. Breakpoint Support	23
10.4. Memory Map	24
Chapter 11. Component Placement	25
Chapter 12. Additional Information	26

Chapter 1. Preface

Cautions

This document may be, wholly or partially, subject to change without notice.

All rights reserved. No one is permitted to reproduce or duplicate, in any form, a part or this entire document without the written permission of Renesas Technology Europe Limited.

Trademarks

All brand or product names used in this manual are trademarks or registered trademarks of their respective companies or organisations.

Copyright

© Renesas Technology Europe Ltd. 2008. All rights reserved.

© Renesas Technology Corporation. 2008. All rights reserved.

© Renesas Solutions Corporation. 2008. All rights reserved.

Website: <http://www.renesas.com/>

Glossary

ADC	Analog to Digital Converter	USB	Universal Serial Bus
CPU	Central Processing Unit	DAC	Digital to Analog Converter
DMA	Direct Memory Access	E10A	"E10A for Starter Kit" debugger
FDT	Flash Development Tool	RSK	Renesas Starter Kit
LED	Light Emitting Diode	LCD	Liquid Crystal Display

Chapter 2. Purpose

This RSK is an evaluation tool for Renesas microcontrollers.

Features include:

- Renesas Microcontroller Programming.
- User Code Debugging.
- User Circuitry such as switches, LEDs and potentiometer(s).
- Sample Application.
- Sample peripheral device initialisation code.

The CPU board contains all the circuitry required for microcontroller operation.

This manual describes the technical details of the RSK hardware. The Quick Start Guide and Tutorial Manual provide details of the software installation and debugging environment.

Chapter 3. Power Supply

3.1. Requirements

This CPU board operates from a 5V power supply (supplied).

A diode provides reverse polarity protection only if a current limiting power supply is used.

All CPU boards have an optional centre positive supply connector using a 2.0mm barrel power jack.

Warning

The CPU board is neither under not over voltage protected. Use a centre positive supply for this board.

3.2. Power – Up Behaviour

When the RSK is purchased the CPU board has the 'Release' or stand alone code from the example tutorial code pre-programmed into the Renesas microcontroller. On powering up the board the user LEDs will start to flash. Pressing any switch will cause the LEDs to flash at a rate controlled by the potentiometer.

Chapter 4. Board Layout

4.1. Component Layout

The following diagram shows top layer component layout of the board.

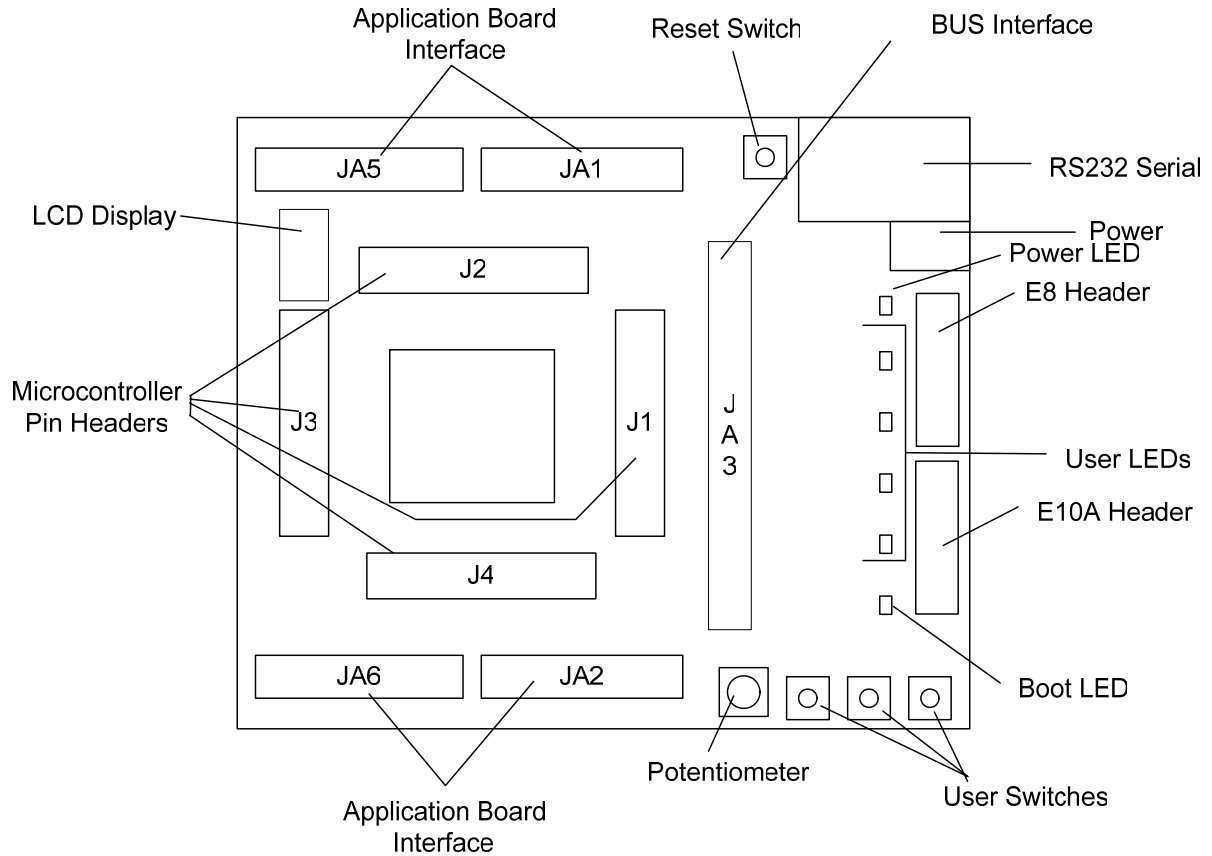


Figure 4-1: Board Layout

4.2. Board Dimensions

The following diagram gives the board dimensions and connector positions. All through hole connectors are on a common 0.1" grid for easy interfacing.

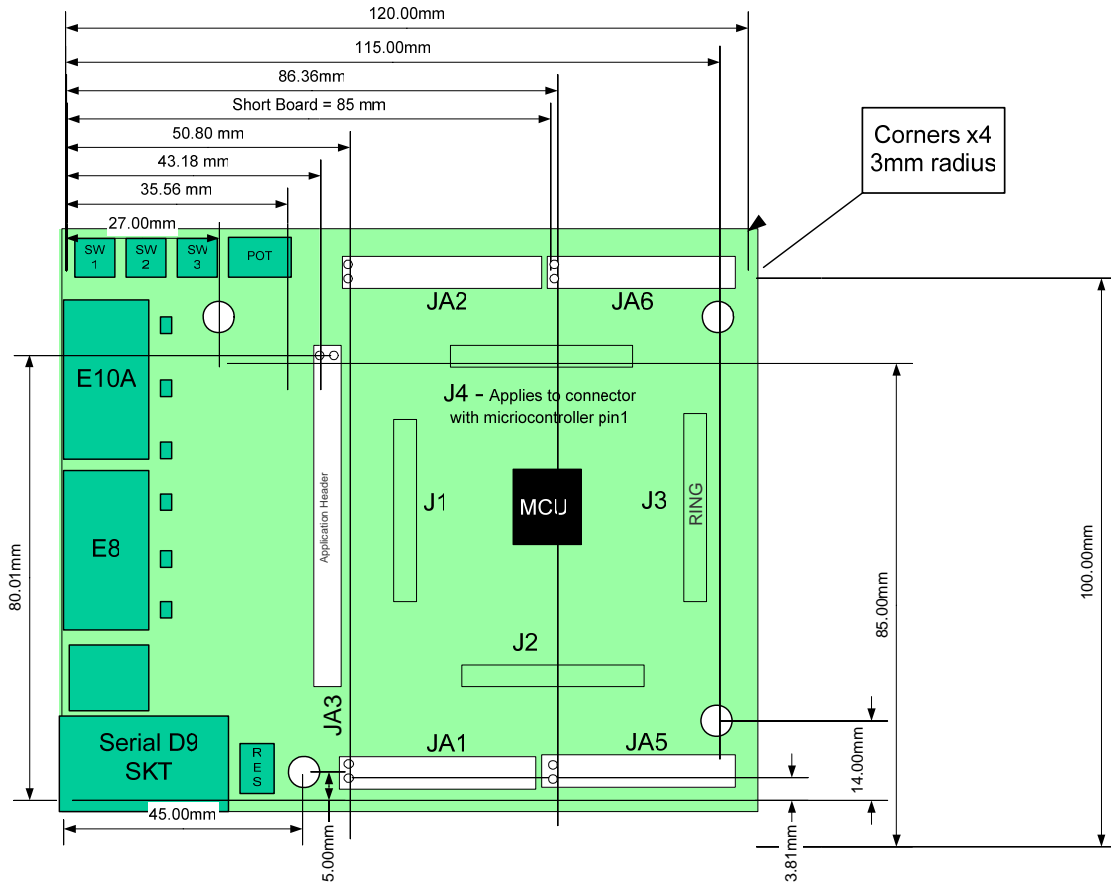


Figure 4-2 : Board Dimensions

Chapter 5. Block Diagram

Figure 5-1 shows the CPU board components and their connectivity.

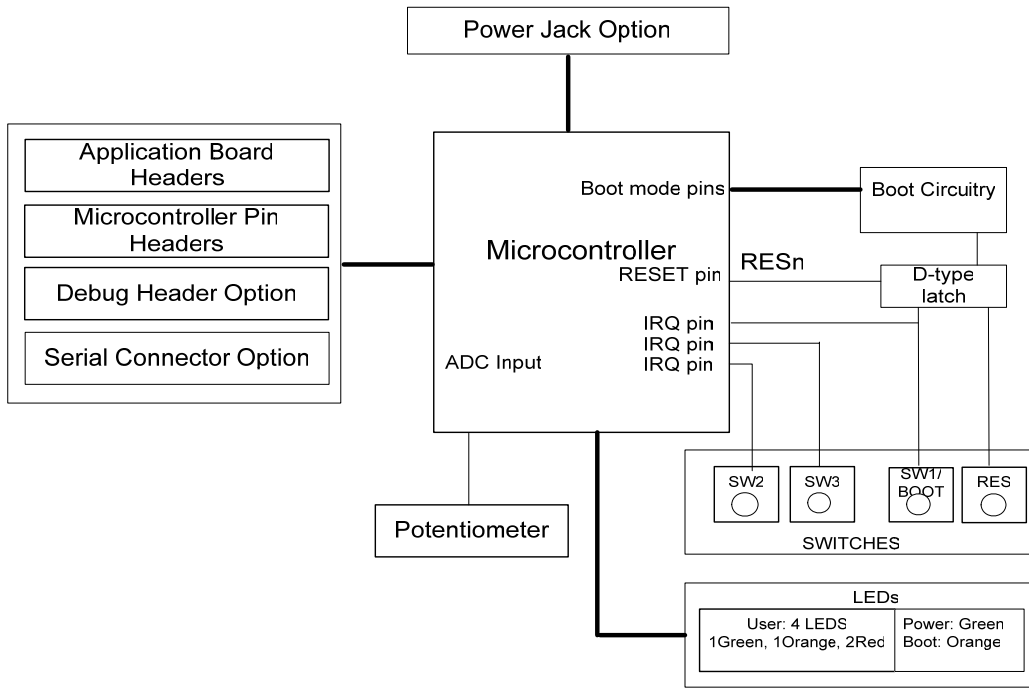


Figure 5-1: Block Diagram

Figure 5-2 shows the connections to the RSK.

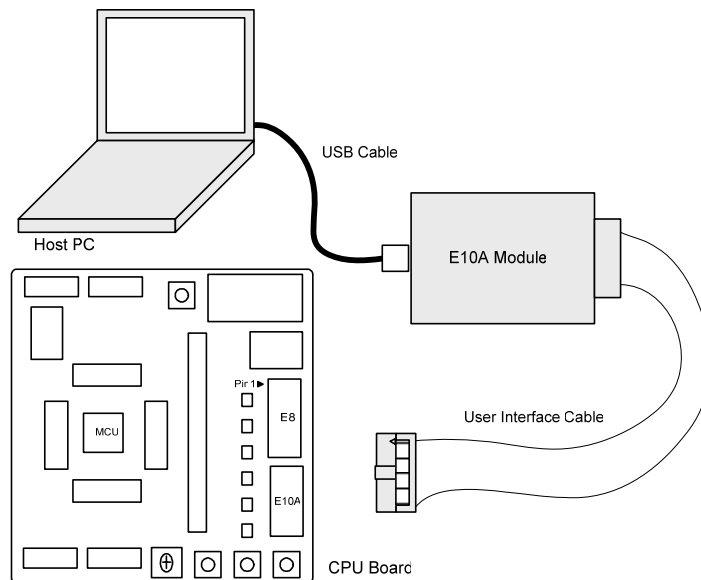


Figure 5-2 : RSK Connections

Chapter 6. User Circuitry

6.1. Switches

There are four switches located on the CPU board. The function of each switch and its connection are shown in **Table 6-1: Switch Functions**

Switch	Function	Microcontroller
RES	When pressed; the CPU board microcontroller is reset.	RESn, Pin 132
SW1/BOOT*	Connects to an IRQ input for user controls.	IRQ0, Pin 63 (Port A, bit 26)
SW2*	Connects to an IRQ line for user controls.	IRQ1, Pin 65 (Port A, bit 27)
SW3*	Connects to an IRQ line for user controls. Same pin functions as ADC trigger input.	IRQ7, Pin 50 (Port B, bit 9)

Table 6-1: Switch Functions

*Refer to schematic for detailed connectivity information.

6.2. LEDs

There are six LEDs on the CPU board. The green 'POWER' LED lights when the board is powered. The orange BOOT LED indicates the device is in BOOT mode when lit. The four user LEDs are connected to an IO port and will light when their corresponding port pin is set low.

The LED pin references and their corresponding microcontroller port pin connections are shown in **Table 6-2: LED Port**

LED Reference (As shown on silkscreen)	Microcontroller Port Pin function	Microcontroller Pin Number	Polarity
LED0	Port A bit 20	38	Active Low
LED1	Port A bit 21	6	Active Low
LED2	Port A bit 22	5	Active Low
LED3	Port A bit 23	3	Active Low

Table 6-2: LED Port

6.3. Potentiometer

A single turn potentiometer is connected to pin 'ANO' of the microcontroller. This may be used to vary the input analog voltage value to this pin between AVCC and Ground.

6.4. Serial port

The microcontroller programming serial port (SCI1) is connected to the E8 connector. This serial port can optionally be connected to the RS232 transceiver by fitting option resistors and the D connector in position 'SERIAL'. The connections to be fitted are listed in **Table 6-3: Serial Options Links**

Description	Function	Fit for RS232	Remove for E8a	Fit for Rs232	Remove for RS232
TxD1	Programming Serial Port	R43	R43	R22	R22
RxD1	Programming Serial Port	R34	R34	R20	R20

Table 6-3: Serial Options Links

The board is designed to accept a straight through RS232 cable.

6.5. LCD Module

The LCD module supplied with the RSK can be connected to the connector 'LCD' for use with the tutorial code. Any module that conforms to the pin connections and has a KS0066u compatible controller can be used. The LCD module uses a 4 bit interface to reduce the pin allocation. No contrast control is provided; this must be set on the display module.

The pin allocation and signal names used on this connector are shown in **Table 6-4: LCD Module Connections**

The module supplied with the CPU board only supports 5V operation.

LCD					
Pin	Circuit Net Name	Device Pin	Pin	Circuit Net Name	Device Pin
1	Ground	-	2	5V Only	-
3	No Connection	-	4	DLCDRS	127
5	R/W (Wired to Write only)	-	6	DLCDE	126
7	No Connection	-	8	No connection	-
9	No Connection	-	10	No connection	-
11	DLCD4	43	12	DLCD5	45
13	DLCD6	46	14	DLCD7	47

Table 6-4: LCD Module Connections

6.6. Option Links

The function of the option links contained on this CPU board are listed in Table 6-5: Serial configuration links

The default configuration is indicated by **BOLD** text

Option Link Settings				
Reference	Function	Fitted	Alternative (Removed)	Related To
R20	Serial Port Configuration	Connects programming port (Rx) to E8 connector.	Disconnects programming port (Rx) from E8 connector.	R22, R34, R43
R22	Serial Port Configuration	Connects programming port (Tx) to E8 connector.	Disconnects programming port (Tx) from E8 connector.	R20, R34, R43
R31	Serial Port Configuration	Connects Alternate serial (CH2) to D connector	Disconnects Alternate serial from D connector.	R49, R56, R57
R33	Serial Port Configuration	Disables RS232 Serial Transceiver	Enables RS232 Serial Transceiver	-
R34	Serial Port Configuration	Connects programming port (Rx) to external serial connectors.	Disconnects programming port (Rx) to external serial connectors.	R43, R20, R22
R43	Serial Port Configuration	Connects programming port (Tx) to external connectors (not E8).	Disconnects programming port (Tx) to external serial connectors.	R34, R20, R22
R44	Serial Port Configuration	Routes RS232 serial port Rx to application connector (JA6).	Disconnects RS232 serial port Rx from application connector (JA6).	R53
R47	Serial Port Configuration	Connects serial port RXD0 to SERIAL D-type connector.	Disconnects serial port RXD0 from SERIAL D-type connector.	R54
R49	Serial Port Configuration	Connects Alternate serial (CH2) to D connector	Disconnects Alternate serial from D connector.	R31, R56, R57
R53	Serial Port Configuration	Routes RS232 serial port Tx to application connector (JA6).	Disconnects RS232 serial port Tx from application connector (JA6).	R44
R54	Serial Port Configuration	Connects serial port TXD0 to SERIAL D-type connector.	Disconnects serial port TXD0 from SERIAL D-type connector.	R47
R56	Serial Port Configuration	Connects Alternate serial (CH2) to D connector	Disconnects Alternate serial from D connector.	R57, R31, R49
R57	Serial Port Configuration	Connects Alternate serial (CH2) to D connector	Disconnects Alternate serial from D connector.	R56, R31, R49

Table 6-5: Serial configuration links

Table 6-6: Power configuration links below describes the function of the option links associated with Power configuration. The default configuration is indicated by **BOLD** text.

Option Link Settings				
Reference	Function	Fitted	Alternative (Removed)	Related To
R4	Power Source	Board can be powered from PWR connector.	Disconnects the supply from PWR connector.	R25, R35, R26
R25	Power Source	Connects regulated 5V voltage source to Board_VCC.	Disconnects regulated 5V voltage source from Board_VCC.	R4, R35, R26
R26	Power	Connect Board_VCC to CON_5V.	Disconnect Board_VCC from CON_5V	R4, R25, R35
R35	Power Source	Connects regulated 3.3V voltage source to Board_VCC.	Disconnects regulated 3.3V voltage source from Board_VCC.	R4, R25, R26
R36	Power Supply	Connects CON_VREF to Board_VCC	Disconnects CON_VREF from Board_VCC	R4, R25, R26
R46	Microcontroller Power Supply	Supply power to Microcontroller.	Fit Low ohm resistor to measure current.	-

Table 6-6: Power configuration links

Table 6-7: Analog configuration links below describes the function of the option links associated with Analog configuration. The default configuration is indicated by **BOLD** text.

Option Link Settings				
Reference	Function	Fitted	Alternative (Removed)	Related To
R40	Voltage Reference Source	Connects pin 161 to CON_VREF on JA1.	Disconnects pin 161 from CON_VREF.	R42
R42	Voltage Reference Source	Board_VCC supplies voltage to AVREF (pin 161).	Disconnects Board_VCC from pin 161.	R40
R58	Analog Voltage Source	Links analog ground to digital ground.	Isolates analog ground from digital ground.	R63, R64
R63	Analog Voltage Source	Connects Board_VCC to AVCC pins (PIN 151 and 156).	Disconnects Board_VCC from AVCC (PIN 151 and 156).	R64, R58
R64	Analog Voltage Source	Connects AVCC pins (pin 151 and 156) to CON_VREF on JA1.	Disconnects AVCC pins (pin 151 and 156) from CON_VREF.	R63, R58

Table 6-7: Analog configuration links

The function of the option links associated with Pin function configuration are listed in **Table 6-8: Pin function configuration links**

The default configuration is indicated by **BOLD** text.

Option Link Settings				
Reference	Function	Fitted	Alternative (Removed)	Related To
R23	Pin function select	Connects PIN 175 to TDI on E10A.	Disconnects PIN 175 from TDI.	R50
R27	Pin function select	Connects PIN 172 to TMS on E10A header.	Disconnects PIN 172 from TMS.	R78
R28	Pin function select	Connects PIN 2 to ASEBRKn on E10A header.	Disconnects PIN 2 from ASEBRKn.	R84
R29	Pin function select	Connects PIN 176 to TDO on E10A header.	Disconnects PIN 176 from TDO.	R81
R37	Pin function select	Connects PIN 174 to TRSTn on E10A header.	Disconnects PIN 174 from TRSTn.	R83
R41	Pin function select	Connects PIN 1 to TCK on E10A header.	Disconnects PIN 1 from TCK.	R45
R45	Pin function select	Connects PIN 1 to M2_Vp on JA5.	Disconnects PIN 1 from M2_Vp.	R41
R50	Pin function select	Connects PIN 175 to TXD2 on JA6.	Disconnects PIN 175 from TXD2.	R23
R61	Pin function select	Connects PIN 73 to WRn on JA3.	Disconnects PIN 73 from WRn.	R62
R62	Pin function select	Connects PIN 73 WRLn on JA3.	Disconnects PIN 73 from WRLn.	R61
R65	Pin function select	Connects PIN 143 to AD_POT.	Disconnects PIN 143 from AD_POT.	R66
R66	Pin function select	Connects PIN 143 to AN0 on JA1.	Disconnects PIN 143 from AN0.	R65
R68	Pin function select	Connects PIN 140 to TMR1 on JA2.	Disconnects PIN 140 from TMR1.	R79
R78	Pin function select	Connects PIN 172 to SCK2 on JA6.	Disconnects PIN 172 from SCK2.	R27
R79	Pin function select	Connects PIN 140 to SCK3 on JA6.	Disconnects PIN 140 from SCK3.	R68
R81	Pin function select	Connects PIN 176 to M2_Un on JA5.	Disconnects PIN 176 from M2_Un.	R29
R83	Pin function select	Connects PIN 174 to M2_Up on JA5.	Disconnects PIN 174 from M2_Up.	R37
R84	Pin function select	Connects PIN 2 to M2_Wp on JA5.	Disconnects PIN 2 from M2_Wp.	R28

Table 6-8: Pin function configuration links

Table 6-9: Clock configuration links below describes the function of the option links associated with Clock configuration. The default configuration is indicated by **BOLD** text.

Option Link Settings				
Reference	Function	Fitted	Alternative (Removed)	Related To
R74	Clock Oscillator	Connects external clock to MCU	Disconnects external clock connection to MCU	R77, R76
R75	Clock Oscillator	Parallel resistor for crystal	Not fitted	-
R76	Clock Oscillator	Connects on board clock to MCU	External Clock Source can be connected.	R74, R77
R77	Clock Oscillator	Connects external clock to MCU	Disconnects external clock connection to MCU	R74, R76

Table 6-9: Clock configuration links

6.7. Oscillator Sources

A crystal oscillator is fitted on the CPU board and used to supply the main clock input to the Renesas microcontroller. The oscillators that are fitted and alternative footprints provided on this CPU board are detailed in **Table 6-10: Oscillators / Resonators**

Component		
Crystal (X1)	Fitted	10MHz (HC49/4H package)

Table 6-10: Oscillators / Resonators

Warning: When replacing the default oscillator with that of another frequency, the debugging monitor will not function unless the following are corrected:

6.8. Reset Circuit

The CPU Board includes a simple latch circuit that links the mode selection and reset circuit. This provides an easy method for swapping the device between Boot Mode and User mode. This circuit is not required on customers' boards as it is intended for providing easy evaluation of the operating modes of the device on the RSK. Please refer to the hardware manual for more information on the requirements of the reset circuit.

The reset circuit operates by latching the state of the boot switch (SW1) on pressing the reset button. This control is subsequently used to modify a port pin state to select which code is executed.

The reset is held in the active state for a fixed period by a pair of resistors and a capacitor. Please check the reset requirements carefully to ensure the reset circuit on the user's board meets all the reset timing requirements.

Chapter 7. Modes

The CPU board can be configured in User mode and Boot mode. User mode may be used to run and debug user code, while Boot mode may only be used to program the Renesas microcontroller with program code via the SCI1 interface. Further details of programming the flash are available in the SH7086 device hardware manual.

The CPU board provides the capability of changing between User and Boot / User Boot modes using a simple latch circuit. This is only to provide a simple mode control on this board when the E10A debugger is not in use.

To manually enter boot mode, press and hold the SW1/BOOT. The mode pins are held in their boot states while reset is pressed and released. Release the boot button. The BOOT LED will be illuminated to indicate that the microcontroller is in boot mode.

More information on the operating modes can be found in the device hardware manual.

7.1.1. Boot mode

The boot mode settings for this CPU board are shown in Table 7-1 below:

FWE	MD1	MD0	LSI State after Reset End
1	0	0	Boot Mode

Table 7-1: Mode pin settings

7.1.2. User Mode

The SH7086 supports various user modes. The default user mode for the RSKSH7086 is mode 6.

FWE	MD1	MD0	LSI State after Reset End
1	1	0	User Mode

Table 7-2: Mode pin settings

Chapter 8. Programming Methods

The board is intended for use with HEW and the supplied E10A debugger only. Please refer to *SH7080 Group Hardware Manual* for details of the programming methods using on-chip serial port SCI1 and without using E10A debugger.

Chapter 9.Headers

9.1. Microcontroller Headers

The microcontroller pin headers and their corresponding microcontroller connections are detailed in this section. The header pins connect directly to the microcontroller pin unless otherwise stated.

* marks pins where a link to the microcontroller pin is via a fitted OR link.

J1					
Pin	Circuit Net Name	Device Pin	Pin	Circuit Net Name	Device Pin
1	TCK_M2Vp	1	23	VSS	23
2	ASEBRKn_M2Wp	2	24	A6	24
3	LED3	3	25	A7	25
4	M2_Vn	4	26	A8	26
5	LED2	5	27	A9	27
6	LED1	6	28	A10	28
7	M2_Wn	7	29	A11	29
8	GND	8	30	A12	30
9	M2_TRISTn	9	31	A13	31
10	TRIGb	10	32	A14	32
11	VCC	11	33	A15	33
12	M1_Vp	12	34	A16	34
13	M1_Wp	13	35	VCC	35
14	M1_Vn	14	36	A17	36
15	M1_Wn	15	37	NC	---
16	A0	16	38	LED0	38
17	A1	17	39	DTEND1	39
18	A2	18	40	IIC_SCL	40
19	A3	19	41	IIC_SDA	41
20	A4	20	42	PIN42	42
21	VCC	21	43	DLCD4	43
22	A5	22	44	GND	44

Table 9-1: J1 microcontroller header

J2					
Pin	Circuit Net Name	Device Pin	Pin	Circuit Net Name	Device Pin
1	DLCD5	45	23	IRQ2	67
2	DLCD6	46	24	IRQ3	68
3	DLCD7	47	25	TRIGa	69
4	VCC	48	26	PIN70	70
5	PIN49	49	27	NC	71
6	IRQ7_ADTRGn	50	28	WRHn	72
7	ASEMD0n	51	29	WRLn_WRn	73
8	RDn	52	30	VCC	74
9	WDT_OVFn	53	31	CS1n	75
10	A18	54	32	CS0n	76
11	A19	55	33	TCLKD	77
12	A20	56	34	TCLKC	78
13	GND	57	35	UD	79
14	A21	58	36	CS2n	80
15	A22	59	37	M1_Up	81
16	M1_TRISTn	60	38	M1_Un	82
17	PIN61	61	39	DACK1	83
18	PIN62	62	40	PIN84	84
19	IRQ0	63	41	DREQ1	85
20	GND	64	42	GND	86
21	IRQ1	65	43	PIN87	87
22	VCC	66	44	IO_7	88

Table 9-2: J2 microcontroller header

J3					
Pin	Circuit Net Name	Device Pin	Pin	Circuit Net Name	Device Pin
1	IO_6	89	23	D5	111
2	IO_5	90	24	D4	112
3	IO_4	91	25	D3	113
4	IO_3	92	26	D2	114
5	IO_2	93	27	D1	115
6	VCC	94	28	D0	116
7	IO_1	95	29	GND	117
8	GND	96	30	CON_XTAL	118
9	IO_0	97	31	MD1	119
10	D15	98	32	CON_EXTAL	120
11	D14	99	33	MD0	121
12	D13	100	34	NMI	122
13	D12	101	35	FWE	123
14	VCC	102	36	PIN124	124
15	D11	103	37	PIN125	125
16	GND	104	38	DLCDE	126
17	D10	105	39	DLCDRS	127
18	D9	106	40	VCC	128
19	D8	107	41	NC	---
20	D7	108	42	NC	---
21	VCC	109	43	PIN131	131
22	D6	110	44	RESn	132

Table 9-3: J3 microcontroller header

J4					
Pin	Circuit Net Name	Device Pin	Pin	Circuit Net Name	Device Pin
1	TIOC0A	133	23	PIN155	155
2	TIOC0B	134	24	AVSS	156
3	TIOC0C	135	25	AN6	157
4	VCC	136	26	AN7	158
5	TMR0	137	27	PIN159	159
6	RXD3	138	28	PIN160	160
7	TXD3	139	29	VREF	161
8	TMR1_SCK3	140	30	AVCC	162
9	GND	141	31	GND	163
10	AVSS	142	32	RXD0	164
11	ADPOT_AN0	143	33	TXD0	165
12	AN1	144	34	SCK0	166
13	AN8	145	35	PTRX	167
14	AN9	146	36	VCC	168
15	AN2	147	37	PTTX	169
16	AN3	148	38	SCK1	170
17	AN10	149	39	RXD2	171
18	AN11	150	40	TMS_SCK2	172
19	AVCC	151	41	NC	---
20	AN4	152	42	TRSTn_M2Up	174
21	AN5	153	43	TDI_TXD2	175
22	PIN154	154	44	TDO_M2Un	176

Table 9-4: J4 microcontroller header

9.2. Application Headers

Standard application header connections are detailed in this section.

* marks pins where a link to the microcontroller pin is via a fitted OR link

JA1							
Pin	Header Name	CPU board Signal Name	Device Pin	Pin	Header Name	CPU board Signal Name	Device Pin
1	5V	CON_5V	---	14	DAC1	---	---
2	0V(5V)	GROUND	---	15	IO_0	IO_0	97
3	3V3	CON_3V3	---	16	IO_1	IO_1	95
4	0V(3V3)	GROUND	---	17	IO_2	IO_2	93
5	AVcc	CON_AVCC	151, 162	18	IO_3	IO_3	92
6	AVss	AVSS	142, 156	19	IO_4	IO_4	91
7	AVref	CON_VREF	161	20	IO_5	IO_5	90
8	ADTRG	IRQ7_ADTRGn	50	21	IO_6	IO_6	89
9	AD0	AN0	143*	22	IO_7	IO_7	88
10	AD1	AN1	144	23	IRQ3	IRQ3	68
11	AD2	AN2	147	24	IIC_EX	---	---
12	AD3	AN3	148	25	IIC_SDA	IIC_SDA	41
13	DAC0	---	---	26	IIC_SCL	IIC_SCL	40

Table 9-5: JA1 Standard Generic Header

JA2							
Pin	Header Name	CPU board Signal Name	Device Pin	Pin	Header Name	CPU board Signal Name	Device Pin
1	RESn	RESn	132	14	Un	M1_Un	82
2	EXTAL	CON_EXTAL	120	15	Vp	M1_Vp	12
3	NMIIn	NMI	122	16	Vn	M1_Vn	14
4	Vss1	GROUND	-	17	Wp	M1_Wp	13
5	WDT_OVF	WDT_OVFn	53	18	Wn	M1_Wn	15
6	SCIaTX	TxD0	165	19	TMR0	TMR0	137
7	IRQ0	IRQ0	63	20	TMR1	TMR1	140
8	SCIaRX	RXD0	164	21	TRIGa	TRIGa	69
9	IRQ1	IRQ1n	65	22	TRIGb	TRIGb	10
10	SCIaCK	SCK0	166	23	IRQ2	IRQ2	67
11	UD	UD	79	24	TRISTn	M1_TRISTn	60
12	CTSRTS	---	---	25	Reserved		
13	Up	M1_Up	81	26	Reserved		

Table 9-6: JA2 Standard Generic Header

JA3							
Pin	Header Name	CPU board Signal Name	Device Pin	Pin	Header Name	CPU board Signal Name	Device Pin
1	Address Bus	A0	16	26	Read/Write Control	WRn	73*
2	Address Bus	A1	17	27	Memory Select	CS0n	76
3	Address Bus	A2	18	28	Memory Select	CS1n	75
4	Address Bus	A3	19	29	Data Bus	D8	107
5	Address Bus	A4	20	30	Data Bus	D9	106
6	Address Bus	A5	22	31	Data Bus	D10	105
7	Address Bus	A6	24	32	Data Bus	D11	103
8	Address Bus	A7	25	33	Data Bus	D12	101
9	Address Bus	A8	26	34	Data Bus	D13	100
10	Address Bus	A9	27	35	Data Bus	D14	99
11	Address Bus	A10	28	36	Data Bus	D15	98
12	Address Bus	A11	29	37	Address Bus	A16	34
13	Address Bus	A12	30	38	Address Bus	A17	36
14	Address Bus	A13	31	39	Address Bus	A18	54
15	Address Bus	A14	32	40	Address Bus	A19	55
16	Address Bus	A15	33	41	Address Bus	A20	56
17	Data Bus	D0	116	42	Address Bus	A21	58
18	Data Bus	D1	115	43	Address Bus	A22	59
19	Data Bus	D2	114	44	External Device Clock	---	---
20	Data Bus	D3	113	45	Memory Select	CS2n	80
21	Data Bus	D4	112	46	Bus Control	---	---
22	Data Bus	D5	110	47	Data Bus Strobe	WRHn	72
23	Data Bus	D6	108	48	Data Bus Strobe	WRLn	73
24	Data Bus	D7	107	49	Reserved	---	---
25	Read/Write Control	RDn	52	50	Reserved	---	---

Table 9-7: JA3 Standard Generic Header

JA5							
Pin	Header Name	CPU board Signal Name	Device Pin	Pin	Header Name	CPU board Signal Name	Device Pin
1	AD4	AN4	152	13	Reserved		
2	AD5	AN5	153	14	Reserved		
3	AD6	AN6	157	15	Reserved		
4	AD7	AN7	158	16	Reserved		
5	CAN1TX	---	---	17	Reserved		
6	CAN1RX	---	---	18	Reserved		
7	CAN2TX	---	---	19	Reserved		
8	CAN2RX	---	---	20	Reserved		
9	Reserved			21	Reserved		
10	Reserved			22	Reserved		
11	Reserved			23	Reserved		
12	Reserved			24	Reserved		

Table 9-8: JA5 Standard Generic Header

JA6							
Pin	Header Name	CPU board Signal Name	Device Pin	Pin	Header Name	CPU board Signal Name	Device Pin
1	DREQ	DREQ1	85	13	Reserved		
2	DACK	DACK1	83	14	Reserved		
3	TEND	DTEND1	39	15	Reserved		
4	STBYn	---	---	16	Reserved		
5	RS232TX	RS232TX	---	17	Reserved		
6	RS232RX	RS232RX	---	18	Reserved		
7	SCIbRX	RxD2	171	19	Reserved		
8	SCIbTX	TxD2	175*	20	Reserved		
9	SClTX	TxD3	139	21	Reserved		
10	SCIbCX	SCK2	172*	22	Reserved		
11	SClCK	SCK3	140*	23	Reserved		
12	SClRX	RxD3	138	24	Reserved		

Table 9-9: JA6 Standard Generic Header

Chapter 10.Code Development

10.1. Overview

Note: For all code debugging using Renesas software tools, the CPU board must either be connected to a PC serial port via a serial cable or a PC USB port via an E10A.

Due to the continuous process of improvements undertaken by Renesas the user is recommended to review the information provided on the Renesas website at www.renesas.com to check for the latest updates to the Compiler and Debugger manuals.

10.2. Compiler Restrictions

The compiler supplied with this RSK is fully functional for a period of 60 days from first use. After the first 60 days of use have expired, the compiler will default to a maximum of 256k code and data. To use the compiler with programs greater than this size you will need to purchase the full tools from your distributor.

Warning: The protection software for the compiler will detect changes to the system clock. Changes to the system clock back in time may cause the trial period to expire prematurely.

10.3. Breakpoint Support

This RSK is supplied with E10A emulator which supports breakpoints in ROM. For more details on breakpoints & E10A functions please refer to '*SuperH Family E10A-USB Emulator User's Manual*'.

10.4.Memory Map

The memory map shown in this section visually describes the locations of the each memory areas when operating the RSK in the default mode (Mode 6).

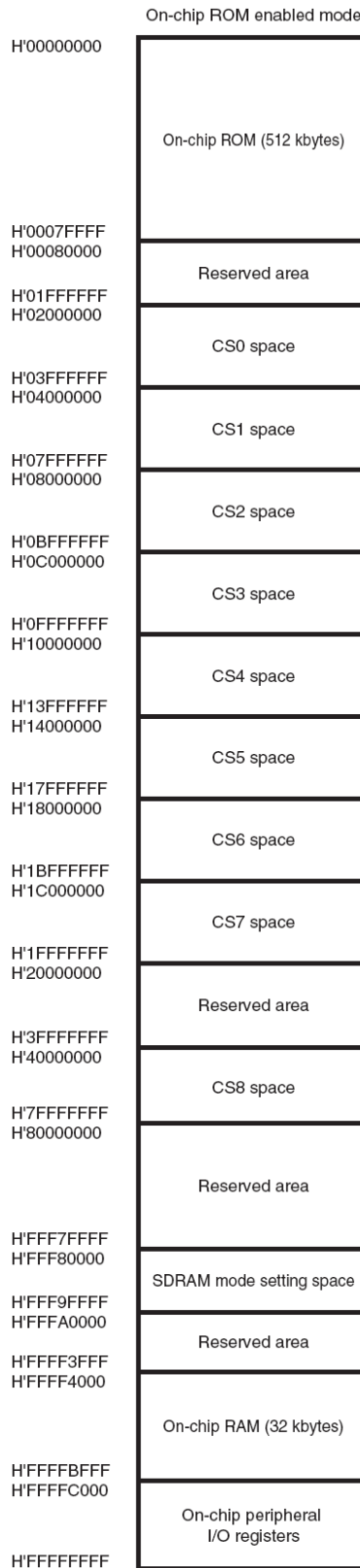


Figure 10-1: Memory Map

Chapter 11. Component Placement

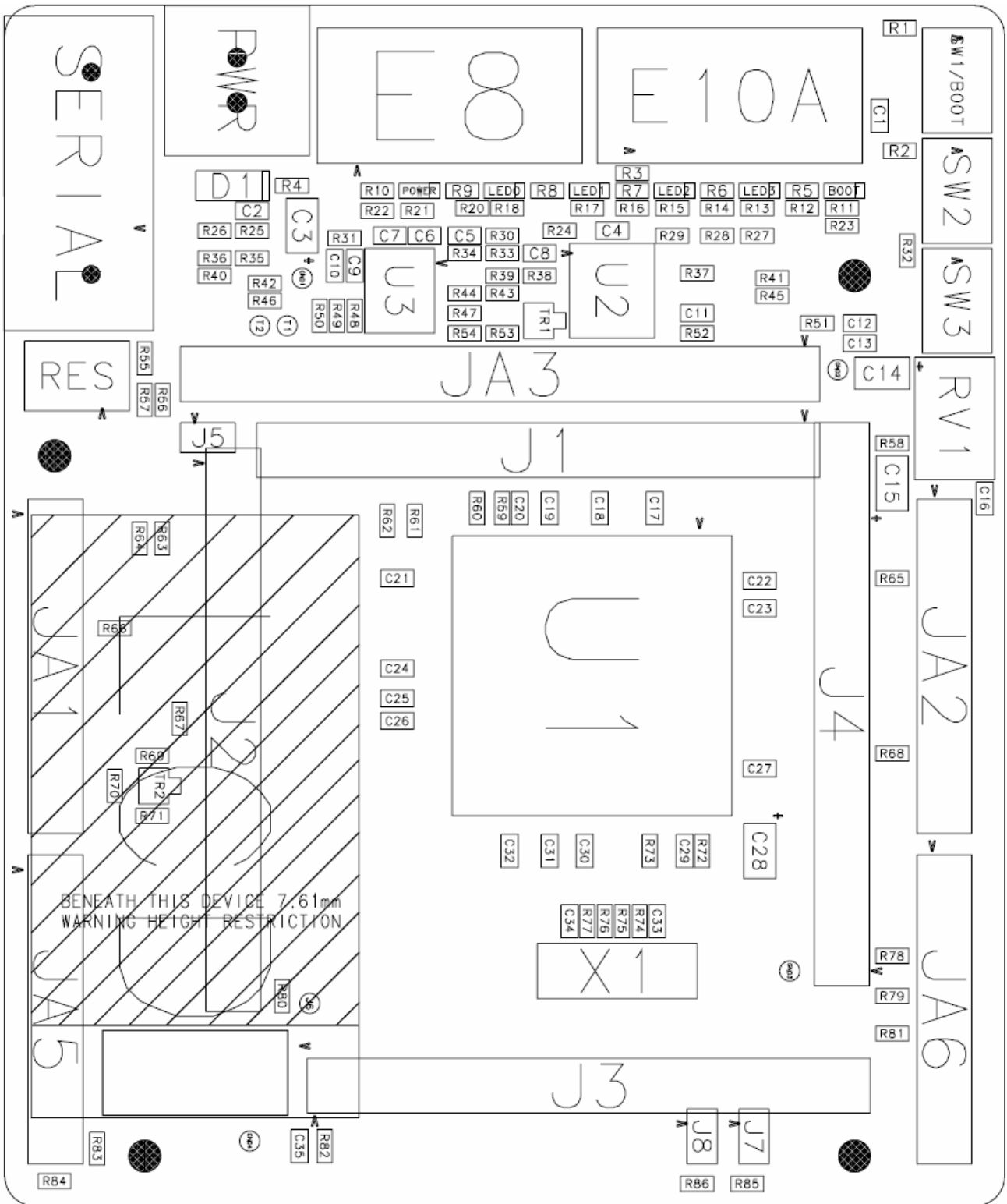


Figure 11-1: Component Placement (Top Layer)

Chapter 12. Additional Information

For details on how to use High-performance Embedded Workshop (HEW), refer to the HEW manual available on the CD or installed in the Manual Navigator.

For information about the SH7086 microcontrollers refer to the SH7080 Group *Hardware Manual*

For information about the SH7086 assembly language, refer to the SH-1/SH-2/SH-DSP *Software Manual*

For information about the E10A Emulator, please refer to the *SH Family E10A-USB Emulator User's Manual*

Online technical support and information is available at: http://www.renesas.com/renesas_starter_kits

Technical Contact Details

America: techsupport.rta@renesas.com

Europe: tools.support.eu@renesas.com

Japan: csc@renesas.com

General information on Renesas Microcontrollers can be found on the Renesas website at: <http://www.renesas.com/>

Renesas Starter Kit for SH7086

User's Manual

Publication Date Rev.1.00 17.Jan.2008

Published by: Renesas Technology Europe Ltd.

Duke's Meadow, Millboard Road, Bourne End

Buckinghamshire SL8 5FH, United Kingdom

©2008 Renesas Technology Europe and Renesas Solutions Corp., All Rights Reserved.

Renesas Starter Kit for SH7086 User's Manual



Renesas Electronics Corporation

1753, Shimonumabe, Nakahara-ku, Kawasaki-shi, Kanagawa 211-8668 Japan

REG10J0118-0100