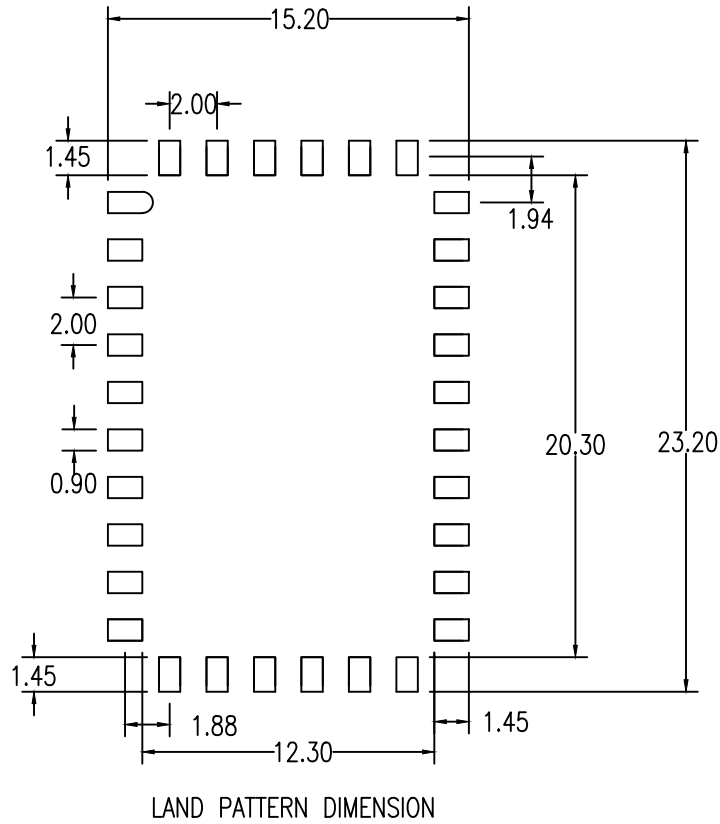


Fiducial Symbol	Coordinates (X,Y)
F1	(-2.0, -0.5)
F2	(-11.5, -9.0)
F3	(-3.5, -17.5)

Fiducial position is relative to the center of Pin1 rectangle section (0,0) at bottom view.  
Fiducial radius: 0.45

NOTE: ALL DIMENSIONS AND ANGLES IN MM.



NOTE:  
1. ALL DIMENSIONS AND ANGLES IN MM.

Package Revision History		
Date Created	Rev No.	Description
July 13, 2018	Rev 00	Initial Release