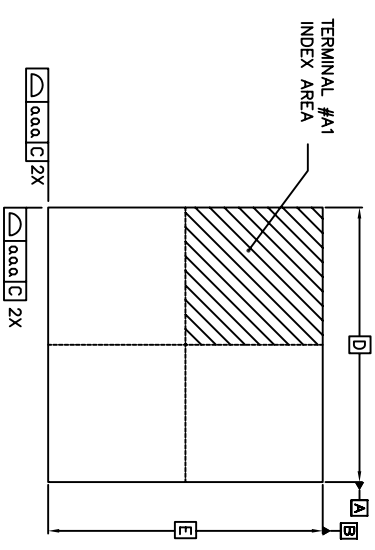
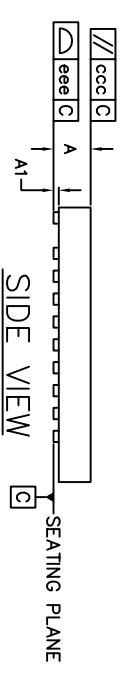


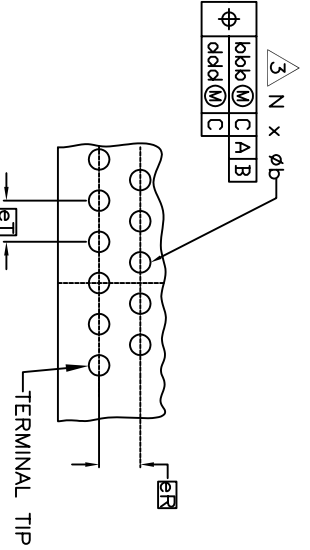
- NOTES:
1. DIMENSIONING AND TOLERANCING PER ASME Y14.5M-1994
  2. 'eT' and 'eR' REPRESENT THE BASIC LAND GRID PITCH .
  3. 'N' IS THE TOTAL NUMBER OF I/O (EXCLUDING DUMMY PADS)
  4. ALL DIMENSIONS ARE IN MILLIMETERS.



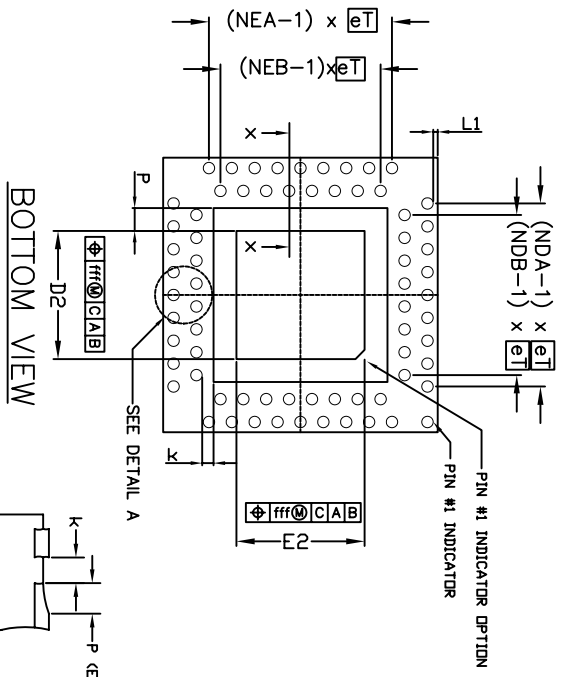
TOP VIEW



SIDE VIEW

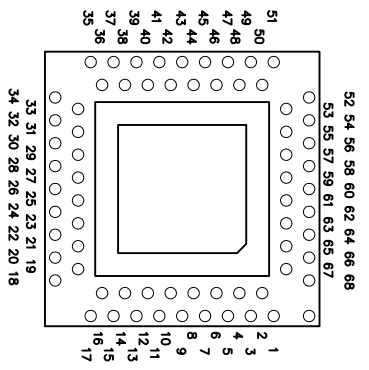


DETAIL A



BOTTOM VIEW

SECTION X-X



PIN NAME ASSIGNMENT

DIMENSIONS			
SYMBOL	MIN	NOM	MAX
A	0.80	0.85	0.90
A1	0.00	-	0.05
k	0.20	0.25	0.30
b	0.20	0.25	0.30
L1	0.05	0.10	0.15
eT	0.50 BSC		
eR	0.50 BSC		
D	6.00 BSC		
D2	2.65	2.80	2.95
E	6.00 BSC		
E2	2.65	2.80	2.95
P	0.375	0.500	0.625
N	68		
NDA	9		
NDB	8		
NEA	9		
NEB	8		
TOLERANCE OF FORM & POSITION			
aaa	0.10		
bbb	0.10		
ccc	0.10		
ddd	0.05		
eee	0.08		
fff	0.10		

REVISIONS			
REV	DESCRIPTION	DATE	APPROVED
00	INITIAL RELEASE	10/06/10	M. ROY
01	Add "x" dimension to Section X-X	03/22/11	M. ROY
02	Modify E-Pad Size 02 & E2 to 2.80 from 3.10	07/22/11	M. ROY
03	COMBINE P0D & LAND PATTERN	06/13/13	KS

TOLERANCES UNLESS SPECIFIED  
 DECIMAL ANGULAR  
 XXX± 0.05 ±

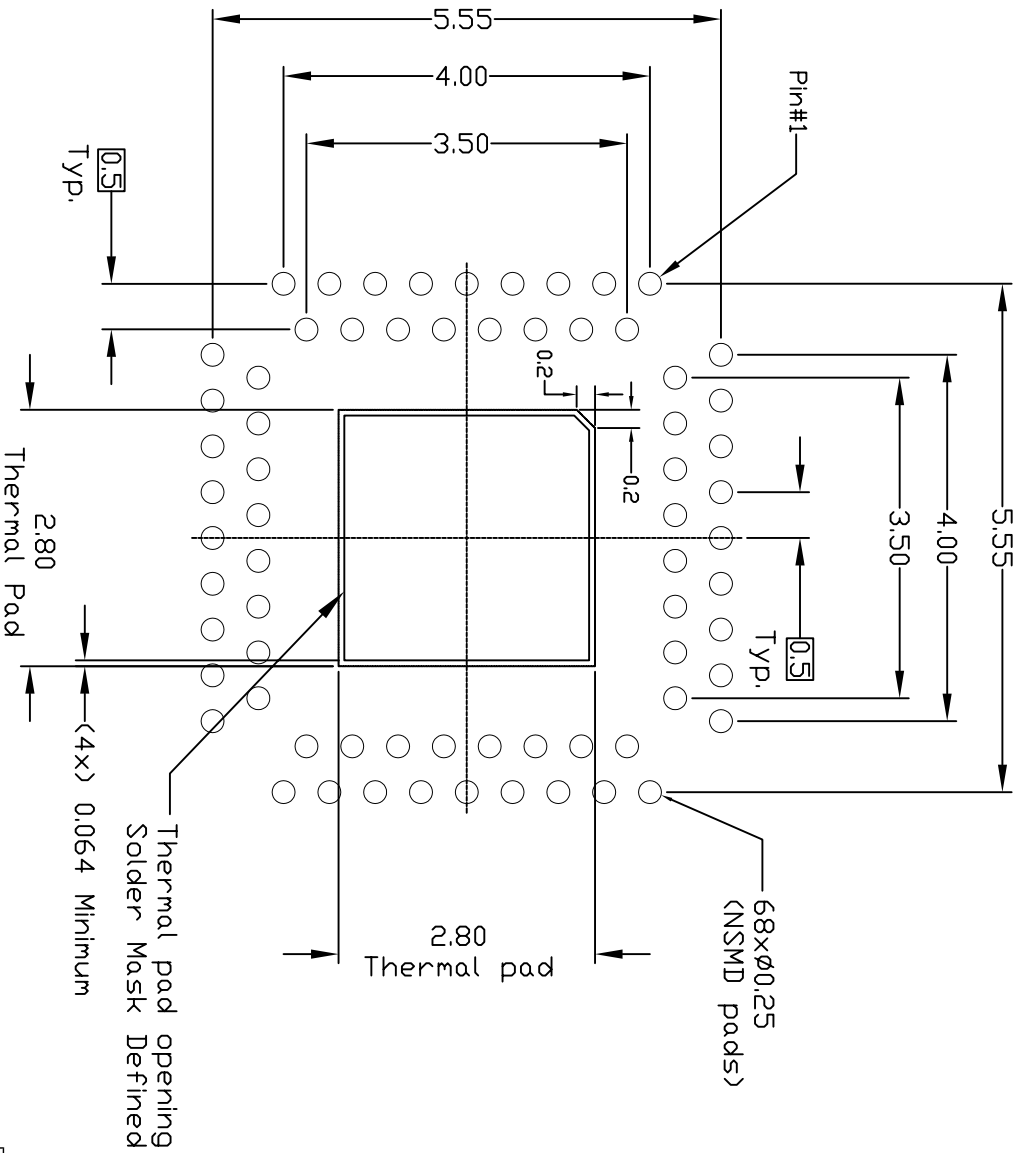
APPROVALS DATE TITLE  
 DRAWN M/A 10/06/10  
 CHECKED

www.IDT.com  
 6024 Silver Creek Valley Rd  
 San Jose, CA 95138  
 PHONE: (408) 284-8200  
 FAX: (408) 284-2775

6x6mm BODY size, 0.5mm Pitch, Dual sig Row  
 E-Pad: 2.8 x 2.8mm

SIZE DRAWING No. PSC-4321 REV 03  
 DO NOT SCALE DRAWING SHEET 1 OF 2


# RECOMMENDED PCB LAND PATTERN



PCB Top View  
(Scale 2X)

Refer to PSC-4321 Rev.02 for Package Outline Dimensions.

REVISIONS			
REV	DESCRIPTION	DATE	APPROVED
00	INITIAL RELEASE	10/06/10	M. ROY
01	Add "k" dimension to Section X-X	03/22/11	M. ROY
02	Modify E-pad Size 02 & E2 to 2.80 From 3.10	07/22/11	M. ROY
03	COMBINE PAD & LAND PATTERN	06/13/13	KS

TOLERANCES UNLESS SPECIFIED		6024 Silver Creek Valley Rd San Jose, CA 95138 PHONE: (408) 284-8200 FAX: (408) 284-2775	
DECIMAL	ANGULAR	 www.IDT.com	
± .005	±		
DATE	TITLE	SIZE	DRAWING No.
10/06/10	TAG68 PACKAGE OUTLINE	C	PSC-4321
DRAWN 7M/2	6x6mm BODY size, 0.5mm Pitch, Dual stg Row	DO NOT SCALE DRAWING	
CHECKED	E-Pad: 2.8 x 2.8mm	REV	03
		SHEET 2 OF 2	