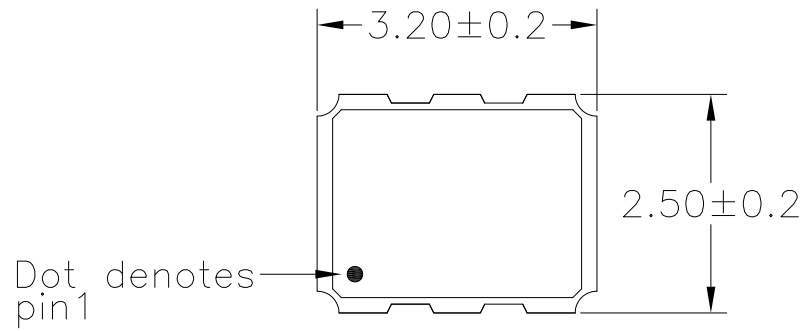
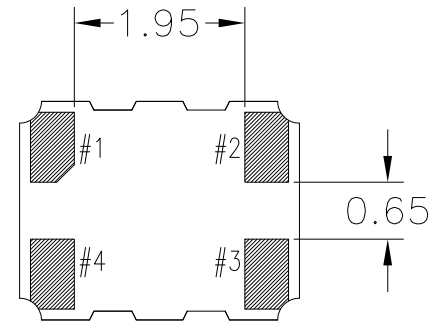


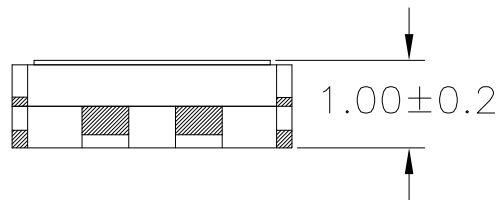
REVISIONS			
REV	DESCRIPTION	DATE	APPROVED
00	INITIAL RELEASE	3/25/16	J.HUA



TOP VIEW




BOTTOM VIEW



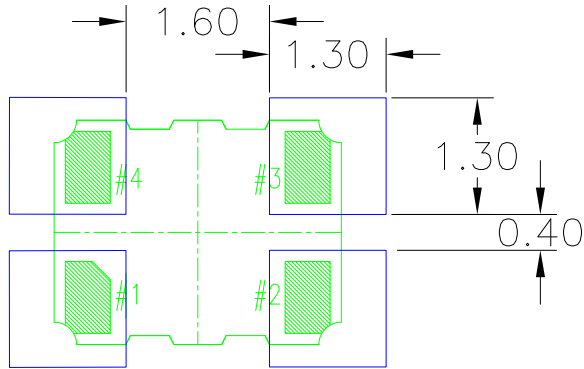
SIDE VIEW

NOTES:

1. ALL DIMENSIONS IN MM.

TOLERANCES UNLESS SPECIFIED		 www.IDT.com	6024 Silver Creek Valley Rd San Jose, CA 95138 PHONE: (408) 727-6116 FAX: (408) 492-8674	
DECIMAL	ANGULAR			
XXX±	±			
XXXX±				
APPROVALS	DATE	TITLE		
DRAWN <i>BAC</i>	3/25/16	S14 PACKAGE OUTLINE 3.20 x 2.50mm BODY 1.00 mm THICK		
CHECKED		SIZE	DRAWING No.	REV
		C	PSC-4616-01	00
DO NOT SCALE DRAWING			SHEET 1 OF 2	


REVISIONS			
REV	DESCRIPTION	DATE	APPROVED
00	INITIAL RELEASE	3/25/16	J.HUA



RECOMMENDED LAND PATTERN DIMENSION

NOTES:

1. ALL DIMENSIONS ARE IN mm. ANGLES IN DEGREES.
2. TOP DOWN VIEW, AS VIEWED ON PCB.
3. COMPONENT OUTLINE IS SHOWN FOR REFERENCE IN GREEN.
4. LAND PATTERN IN BLUE. NSMD PATTERN ASSUMED.
5. LAND PATTERN RECOMMENDATION PER IPC-7351B GENERIC REQUIREMENT FOR SURFACE MOUNT DESIGN AND LAND PATTERN.

TOLERANCES UNLESS SPECIFIED		 6024 Silver Creek Valley Rd San Jose, CA 95138 PHONE: (408) 727-6116 FAX: (408) 492-8674 www.IDT.com		
DECIMAL	ANGULAR			
XX±	±			
XXX±				
XXXX±				
APPROVALS	DATE	TITLE		
DRAWN <i>DAE</i>	3/25/16	SJ4 PACKAGE OUTLINE		
CHECKED		3.20 x 2.50mm BODY		
		1.00 mm THICK		
		SIZE	DRAWING No.	REV
		C	PSC-4616-01	00
DO NOT SCALE DRAWING			SHEET 2 OF 2	