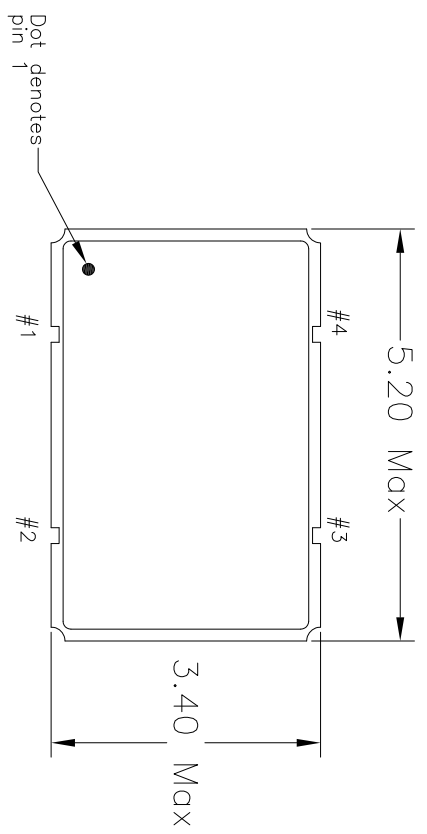
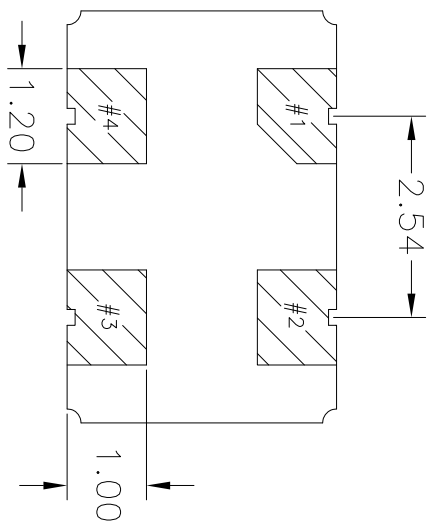


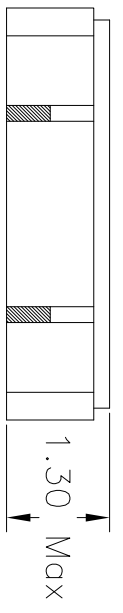
REVISIONS			
REV	DESCRIPTION	DATE	APPROVED
00	INITIAL RELEASE	6/22/15	JHUA



TOP VIEW



BOTTOM VIEW



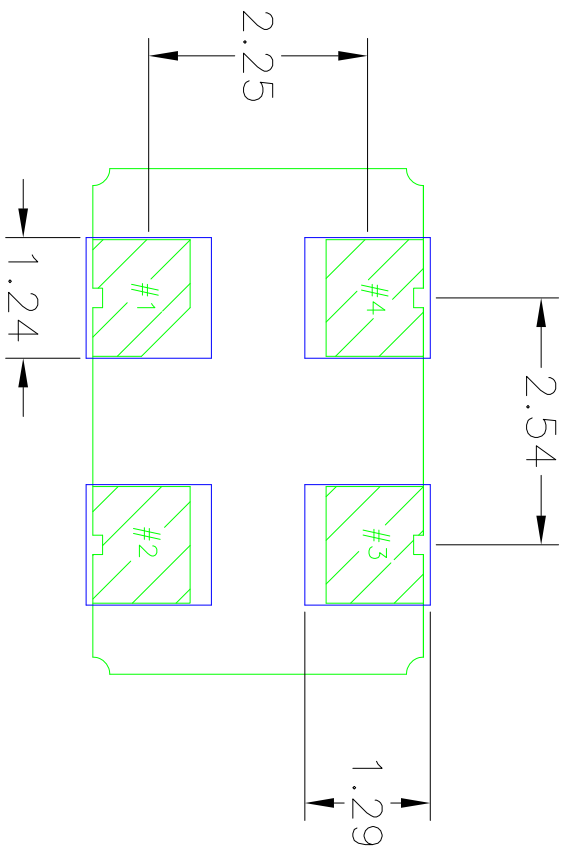
SIDE VIEW

NOTES:

1. ALL DIMENSIONS IN MM.

TOLERANCES UNLESS SPECIFIED		6024 Silver Creek Valley Rd	
DECIMAL	ANGULAR	San Jose, CA 95138	
XXX+	E	PHONE: (408) 727-6116	
XXXX+		FAX: (408) 492-8674	
XXXXE		www.IDT.com	
APPROVALS	DATE	TITLE	
DRAWN <i>JR/G</i>	6/22/15	SQ4 PACKAGE OUTLINE	
CHECKED		5.20 x 3.40mm BODY	
		1.30 mm THICK	
SIZE	DRAWING No.	REV	
C	PSC-4614	00	
DO NOT SCALE DRAWING			SHEET 1 OF 2

REVISIONS			
REV	DESCRIPTION	DATE	APPROVED
00	INITIAL RELEASE	6/22/15	JHUA




RECOMMENDED LAND PATTERN DIMENSION

NOTES:

1. ALL DIMENSIONS ARE IN mm. ANGLES IN DEGREES.
2. TOP DOWN VIEW, AS VIEWED ON PCB.
3. COMPONENT OUTLINE IS SHOWN FOR REFERENCE IN GREEN.
4. LAND PATTERN IN BLUE. NSMD PATTERN ASSUMED.
5. LAND PATTERN RECOMMENDATION PER IPC-7351B GENERIC REQUIREMENT FOR SURFACE MOUNT DESIGN AND LAND PATTERN.

TOLERANCES UNLESS SPECIFIED			
DECIMAL	ANGULAR		
XXX±			
XXXX±			
APPROVALS	DATE	TITLE	SG4 PACKAGE OUTLINE
DRAWN /RAC	6/22/15	5.20 x 3.40mm BODY	
CHECKED		1.30 mm THICK	
SIZE	DRAWING No.	REV	
C	PSC-4614	00	
DO NOT SCALE DRAWING			SHEET 2 OF 2



6024 Silver Creek Valley Rd
San Jose, CA 95138
PHONE: (408) 727-6116
FAX: (408) 492-8674

www.IDT.com