

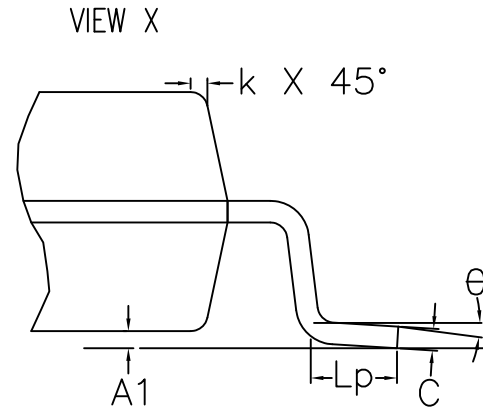
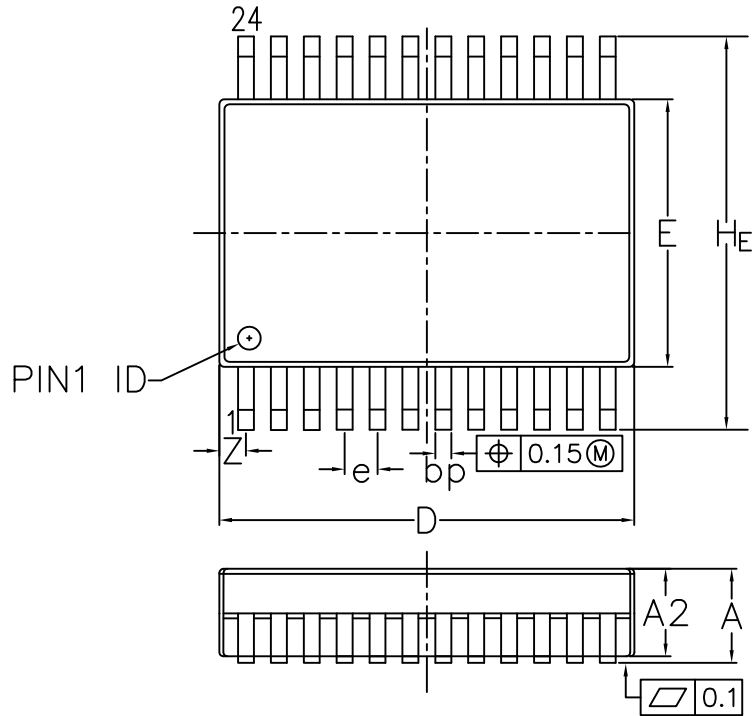
BASED ON JEDEC JEP95: MO-150

DIMENSIONS IN MILLIMETERS

1. DIMENSIONS

DATE CREATED	REVISIONS		
	REV	DESCRIPTION	AUTHOR
4/26/17	00	INITIAL RELEASE	J.H
5/4/17	01	ADDED LAND PATTERN	J.H

NOTE: REFER TO DCP FOR OFFICIAL RELEASE DATE




DIMENSIONS OF SUB-GROUP B1	
A max	1.99
bp min	0.25
bp max	0.38
e nom	0.65
HE min	7.65
HE max	7.90
Lpmin	0.63
Z max	0.74

DIMENSIONS OF SUB-GROUP C1	
A min	1.73
A1 min	0.05
A1 max	0.21
A2 min	1.68
A2 max	1.78
c min	0.09
c max	0.20
D min*	8.07
D max*	8.33
E min*	5.20
E max*	5.38
k min	0.25
θ min	0°
θ max	10°

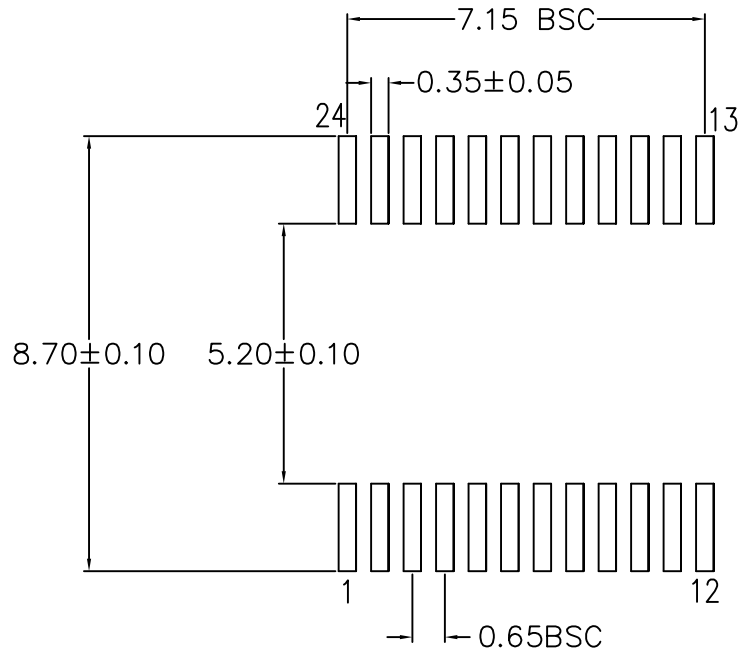
- 2. WEIGHT ≤ 0.3 g
- 3. BODY MATERIAL LOW STRESS EPOXY
- 4. LEAD MATERIAL FeNi-ALLOY or Cu-ALLOY
- 5. LEAD FINISH SOLDER PLATING
- 6. LEAD FORM Z-BENDS

* WITHOUT MOLD FLASH


TOLERANCES UNLESS SPECIFIED DECIMAL ANGULAR XX± ± XXX± ± XXXX± ±			6024 Silver Creek Valley Rd San Jose, CA 95138 PHONE: (408) 284-8200 FAX: (408) 284-3572
	TITLE PYG24 PACKAGE OUTLINE 5.3mm SSOP		
SIZE C	DRAWING No. PSC-4032-05	REV 01	
DO NOT SCALE DRAWING		SHEET 1 OF 2	

DATE CREATED	REVISIONS		
	REV	DESCRIPTION	AUTHOR
4/26/17	00	INITIAL RELEASE	J.H
5/4/17	01	ADDED LAND PATTERN	J.H

NOTE: REFER TO DCP FOR OFFICIAL RELEASE DATE



LAND PATTERN DIMENSIONS

TOLERANCES UNLESS SPECIFIED		 6024 Silver Creek Valley Rd San Jose, CA 95138 PHONE: (408) 284-8200 FAX: (408) 284-3572
DECIMAL	ANGULAR	
XX±	±	
XXX±		
XXXX±		www.IDT.com
TITLE		PYG24 PACKAGE OUTLINE 5.3mm SSOP
SIZE	DRAWING No.	REV
C	PSC-4032-05	01
DO NOT SCALE DRAWING		SHEET 2 OF 2