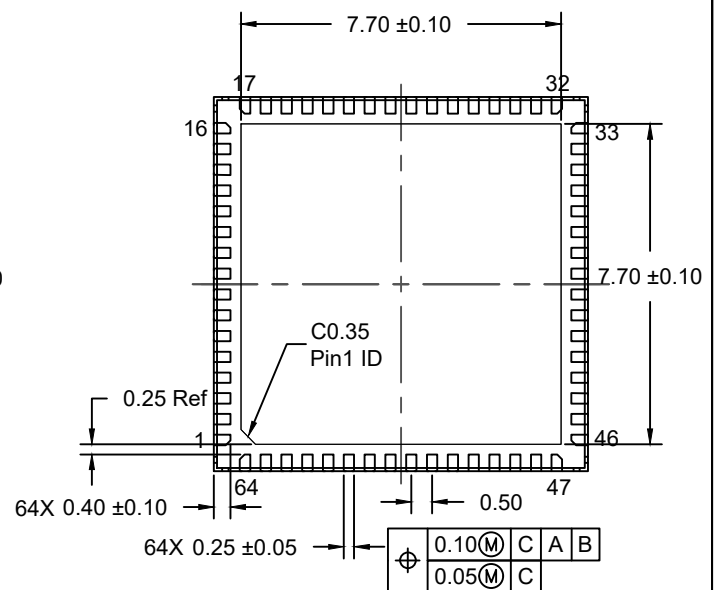
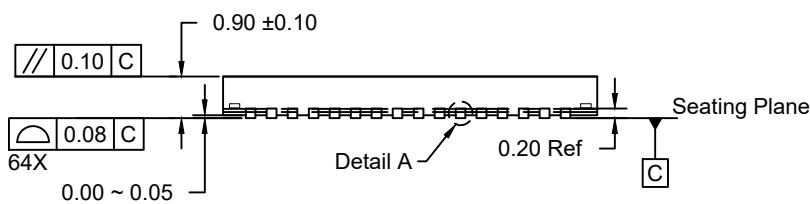


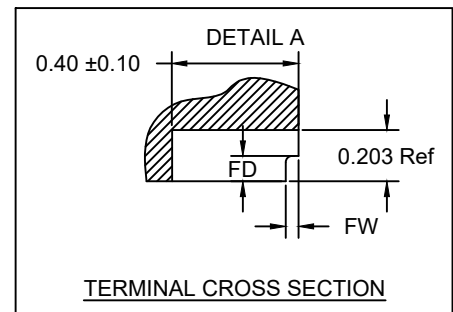
TOP VIEW



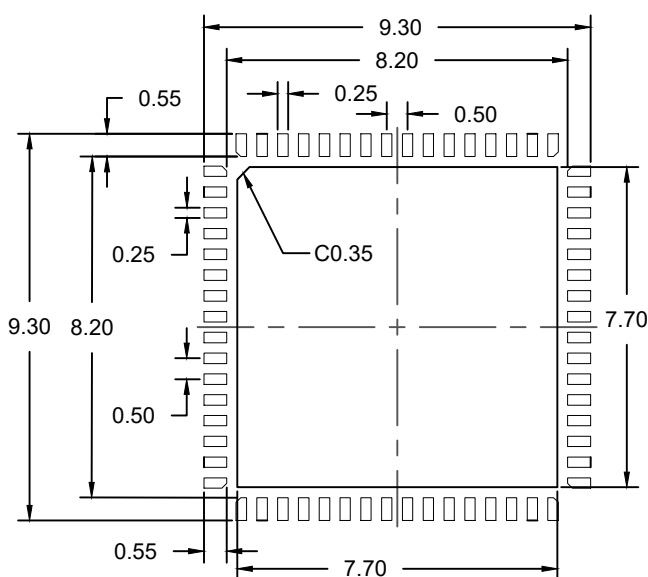
BOTTOM VIEW



SIDE VIEW



TERMINAL CROSS SECTION



RECOMMENDED LAND PATTERN  
(PCB Top View, NSMD Design)

Table 1: Dimensions of wettable flank

| Symbol | Unit (mm) |       |
|--------|-----------|-------|
|        | MIN       | MAX   |
| FD     | 0.100     | -     |
| FW     | 0.001     | 0.075 |

NOTES:

1. JEDEC compatible.
2. All dimensions are in mm and angles are in degrees.
3. Use  $\pm 0.05$  mm for the non-toleranced dimensions.
4. Numbers in ( ) are for references only.