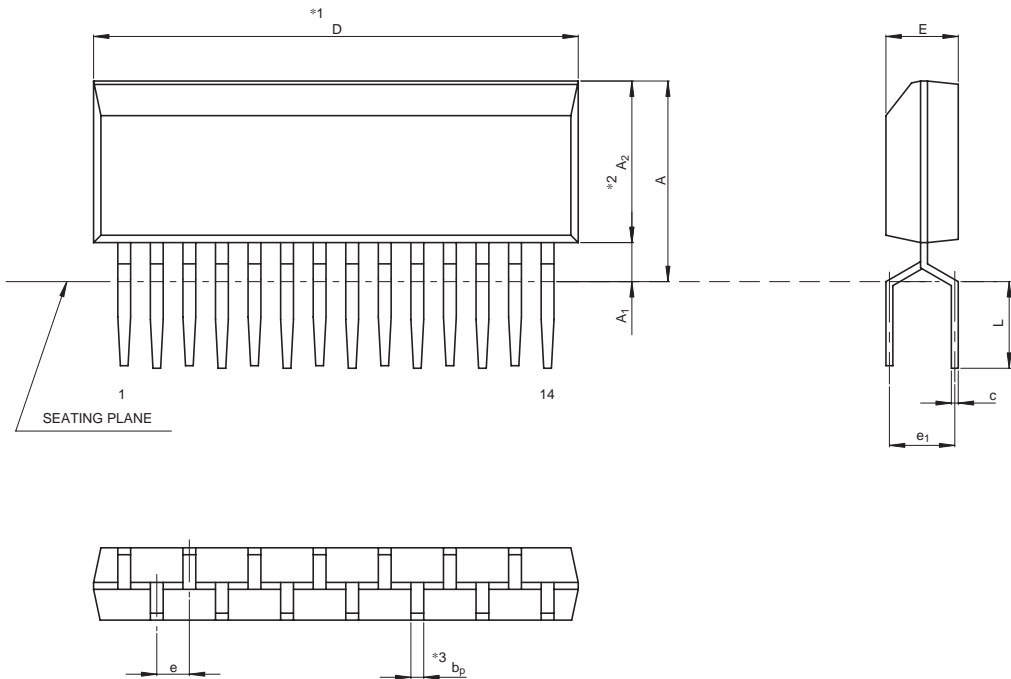


JEITA Package Code	RENESAS Code	Previous Code	MASS[Typ.]
P-ZIP14-6.3x19-1.27	PRZP0014DA-A	14P5A	0.7g



NOTE)
 1. DIMENSIONS $*1$ AND $*2$ DO NOT INCLUDE MOLD FLASH.
 2. DIMENSION $*3$ DOES NOT INCLUDE TRIM OFFSET.

Reference Symbol	Dimension in Millimeters		
	Min	Nom	Max
A	—	—	8.3
A ₁	0.9	—	—
A ₂	—	6.3	—
b _p	0.4	0.5	0.6
c	0.22	0.27	0.34
E	2.6	2.8	3.0
D	18.8	19.0	19.2
e	1.02	1.27	1.52
e ₁	2.24	2.54	2.84
L	2.8	—	—