

JEITA Package Code

RENESAS Code

Previous Code

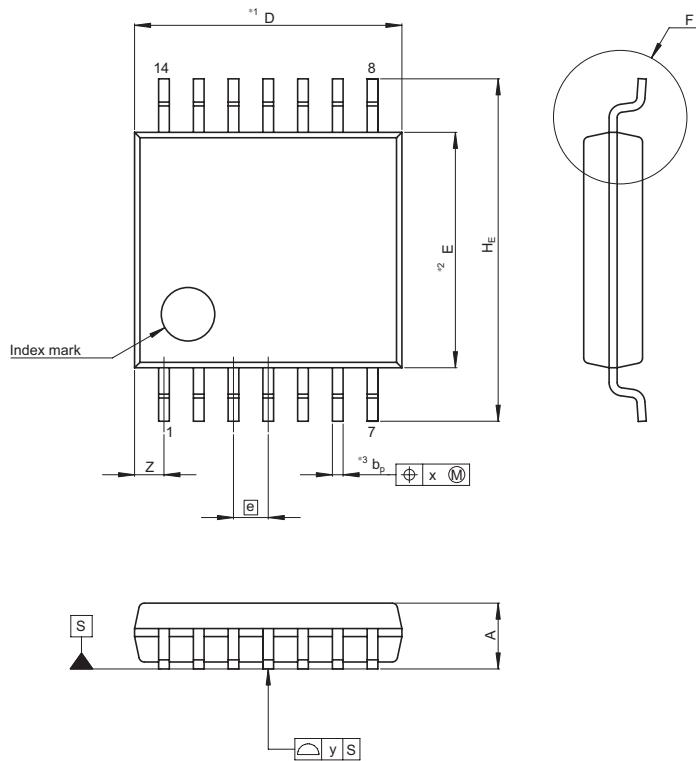
MASS[Typ.]

P-TSSOP14-4.4x5-0.65

PTSP0014JA-C

TTP-14DBV

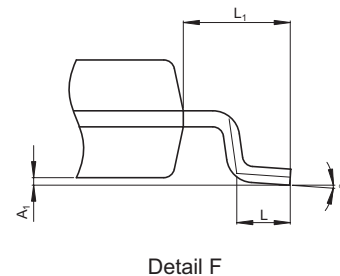
0.05g



## NOTE

1. DIMENSIONS\*1 (Nom)\*AND\*2\*  
DO NOT INCLUDE MOLD FLASH.
2. DIMENSION\*3\*DOES NOT  
INCLUDE TRIM OFFSET.

Terminal cross section  
(Ni/Pd/Au plating)



Detail F

| Reference Symbol | Dimension in Millimeters |      |      |
|------------------|--------------------------|------|------|
|                  | Min                      | Nom  | Max  |
| D                | —                        | 5.00 | 5.30 |
| E                | —                        | 4.40 | —    |
| A <sub>2</sub>   | —                        | —    | —    |
| A <sub>1</sub>   | 0.03                     | 0.07 | 0.10 |
| A                | —                        | —    | 1.10 |
| b <sub>p</sub>   | 0.15                     | 0.20 | 0.25 |
| b <sub>1</sub>   | —                        | —    | —    |
| c                | 0.10                     | 0.15 | 0.20 |
| c <sub>1</sub>   | —                        | —    | —    |
| θ                | 0°                       | —    | 8°   |
| H <sub>E</sub>   | 6.20                     | 6.40 | 6.60 |
| e                | —                        | 0.65 | —    |
| x                | —                        | —    | 0.13 |
| y                | —                        | —    | 0.10 |
| Z                | —                        | —    | 0.83 |
| L                | 0.40                     | 0.50 | 0.60 |
| L <sub>1</sub>   | —                        | 1.00 | —    |