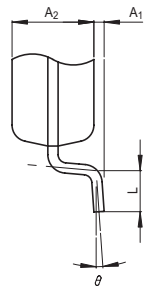
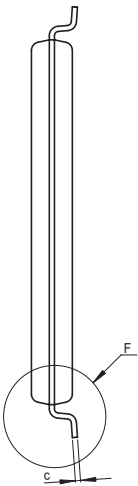
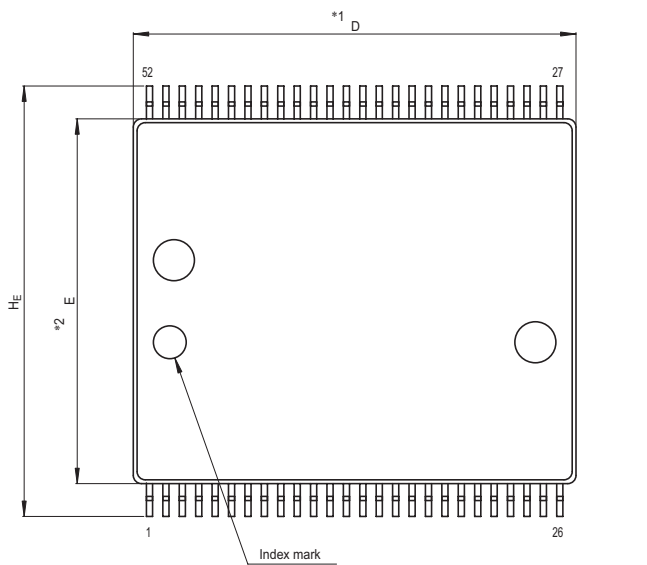
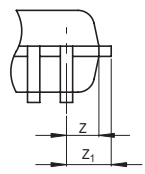
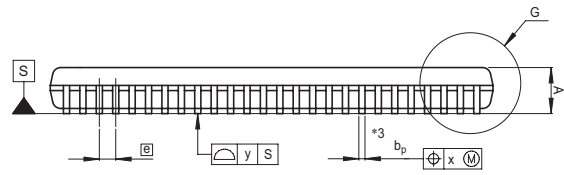


JEITA Package Code	RENESAS Code	Previous Code	MASS[Typ.]
P-TSOP(2)52-8.89x10.79-0.40	PTSB0052LB-A	52PTG-A	0.3g



Detail F



Detail G

- NOTE)
1. DIMENSIONS $*1$ " AND $*2$ " DO NOT INCLUDE MOLD FLASH.
 2. DIMENSION $*3$ " DOES NOT INCLUDE TRIM OFFSET.

Reference Symbol	Dimension in Millimeters		
	Min	Nom	Max
D	10.69	10.79	10.89
E	8.79	8.89	8.99
A ₂	—	1.0	—
H _E	10.29	10.49	10.69
A	—	—	1.2
A ₁	0.05	0.125	0.2
b _p	0.12	0.17	0.27
c	0.105	0.125	0.175
θ	0°	—	10°
e	—	0.4	—
x	—	—	0.08
y	—	—	0.10
Z	—	0.395	—
Z ₁	—	—	0.545
L	0.35	0.5	0.65