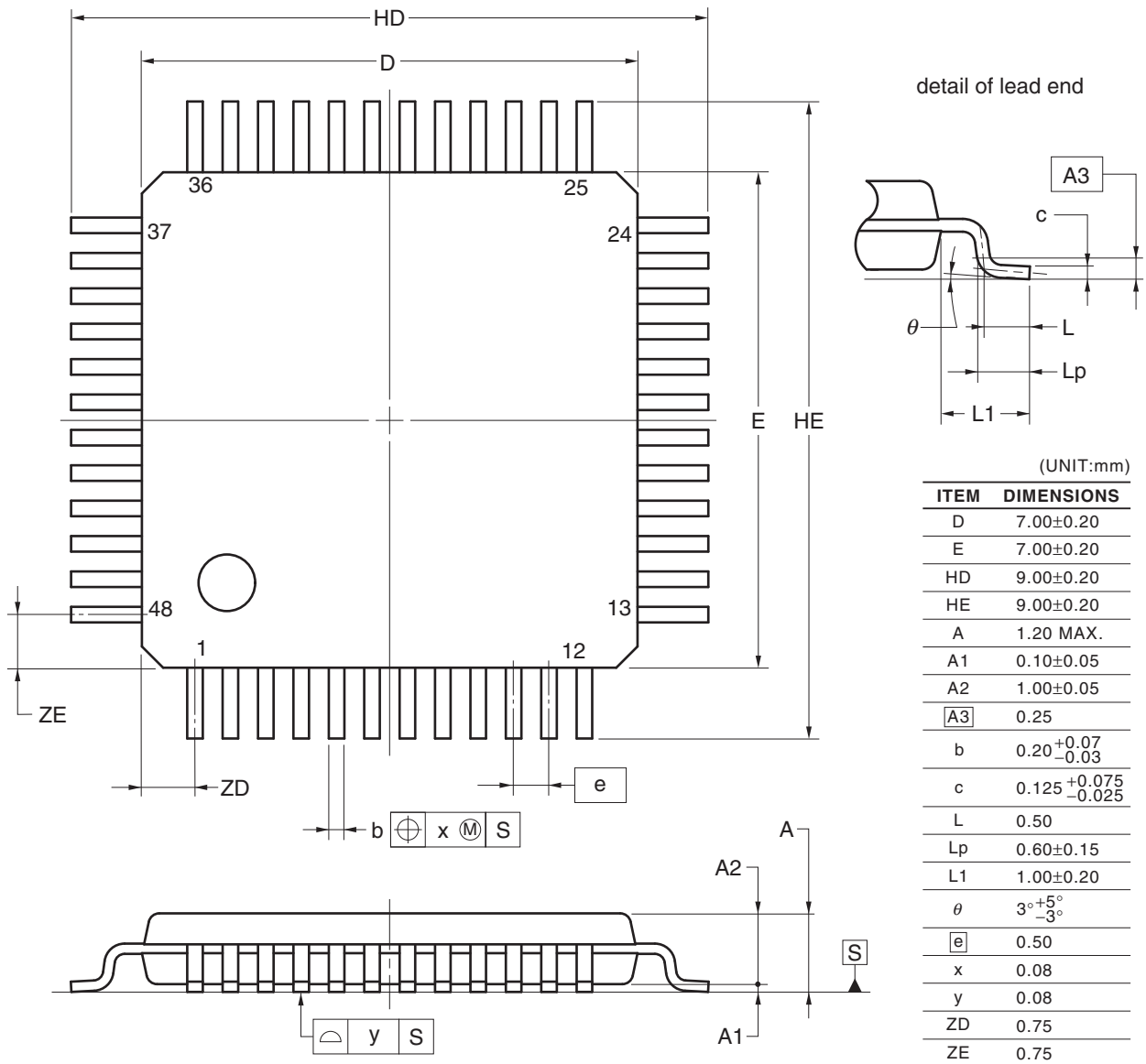


JEITA Package Code	RENESAS Code	Previous Code	MASS (TYP.) [g]
P-TFQFP48-7x7-0.50	PTQP0048KC-A	P48GA-50-HAA-2	0.13



NOTE
Each lead centerline is located within 0.08 mm of its true position at maximum material condition.