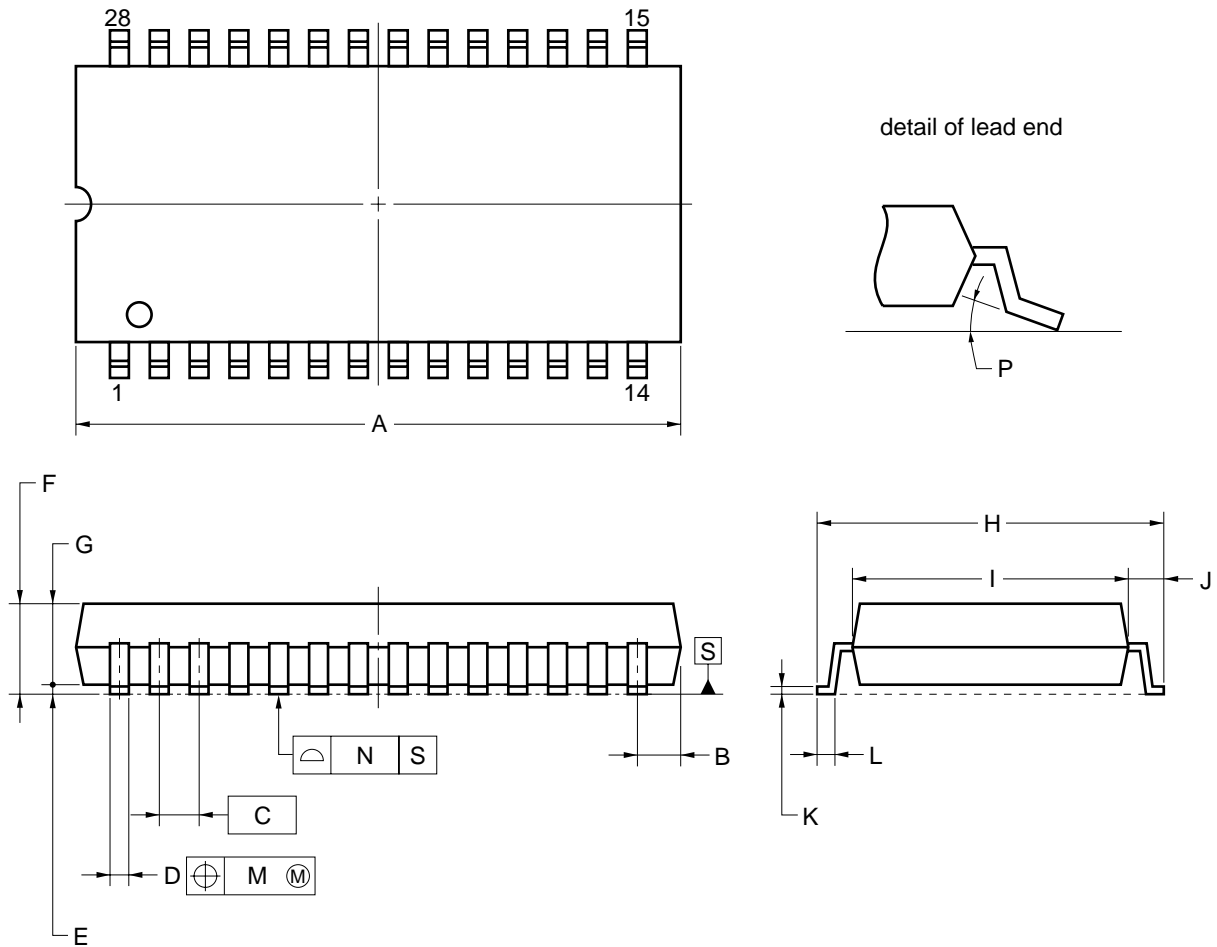


28-PIN PLASTIC SOP (11.43 mm (450))



NOTE

Each lead centerline is located within 0.12 mm of its true position (T.P.) at maximum material condition.

ITEM	MILLIMETERS
A	19.05 MAX.
B	1.27 MAX.
C	1.27 (T.P.)
D	0.40±0.10
E	0.1 ^{+0.2} _{-0.1}
F	2.5 MAX.
G	2.00
H	11.8±0.3
I	8.4
J	1.7
K	0.15 ^{+0.10} _{-0.05}
L	0.7±0.2
M	0.12
N	0.10
P	5°±5°

P28GM-50-450A1-3