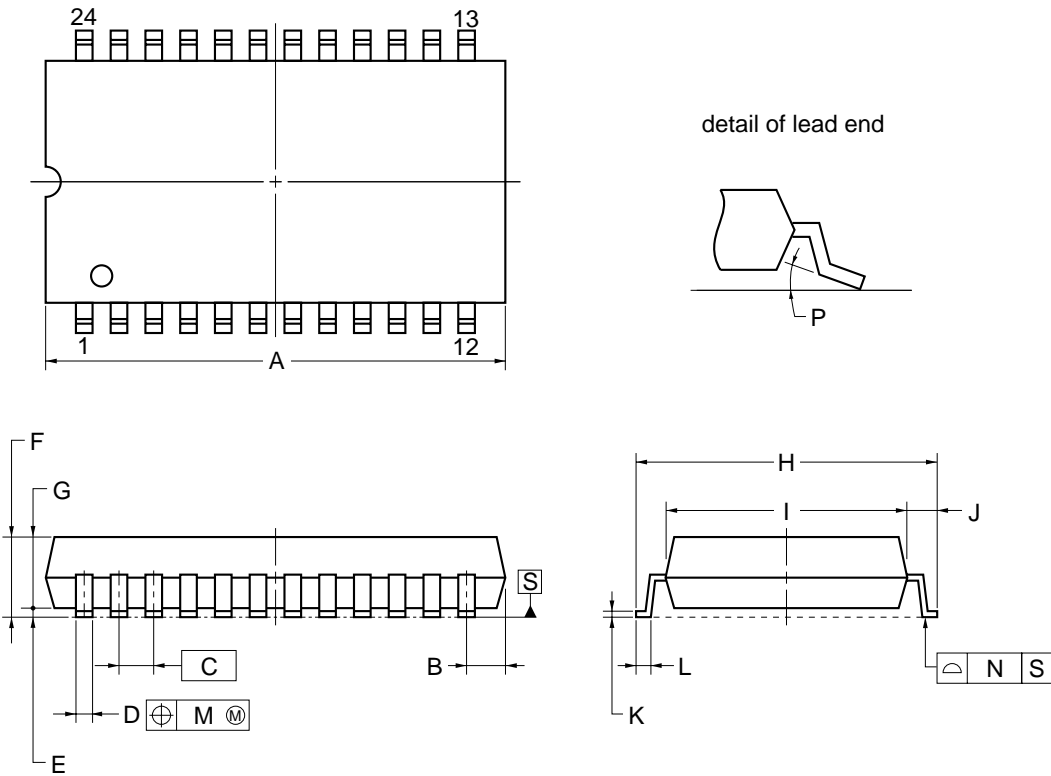


## 24-PIN PLASTIC SOP (11.43 mm (450))



### NOTE

Each lead centerline is located within 0.12 mm of its true position (T.P.) at maximum material condition.

ITEM	MILLIMETERS
A	15.5±0.2
B	1.27 MAX.
C	1.27 (T.P.)
D	0.42±0.08
E	0.1±0.1
F	2.1±0.2
G	2.0
H	12.2±0.3
I	8.4±0.2
J	1.9±0.2
K	0.17 <sup>+0.08</sup> <sub>-0.07</sub>
L	0.9±0.2
M	0.12
N	0.10
P	5°±5°

P24GM-50-450A-4