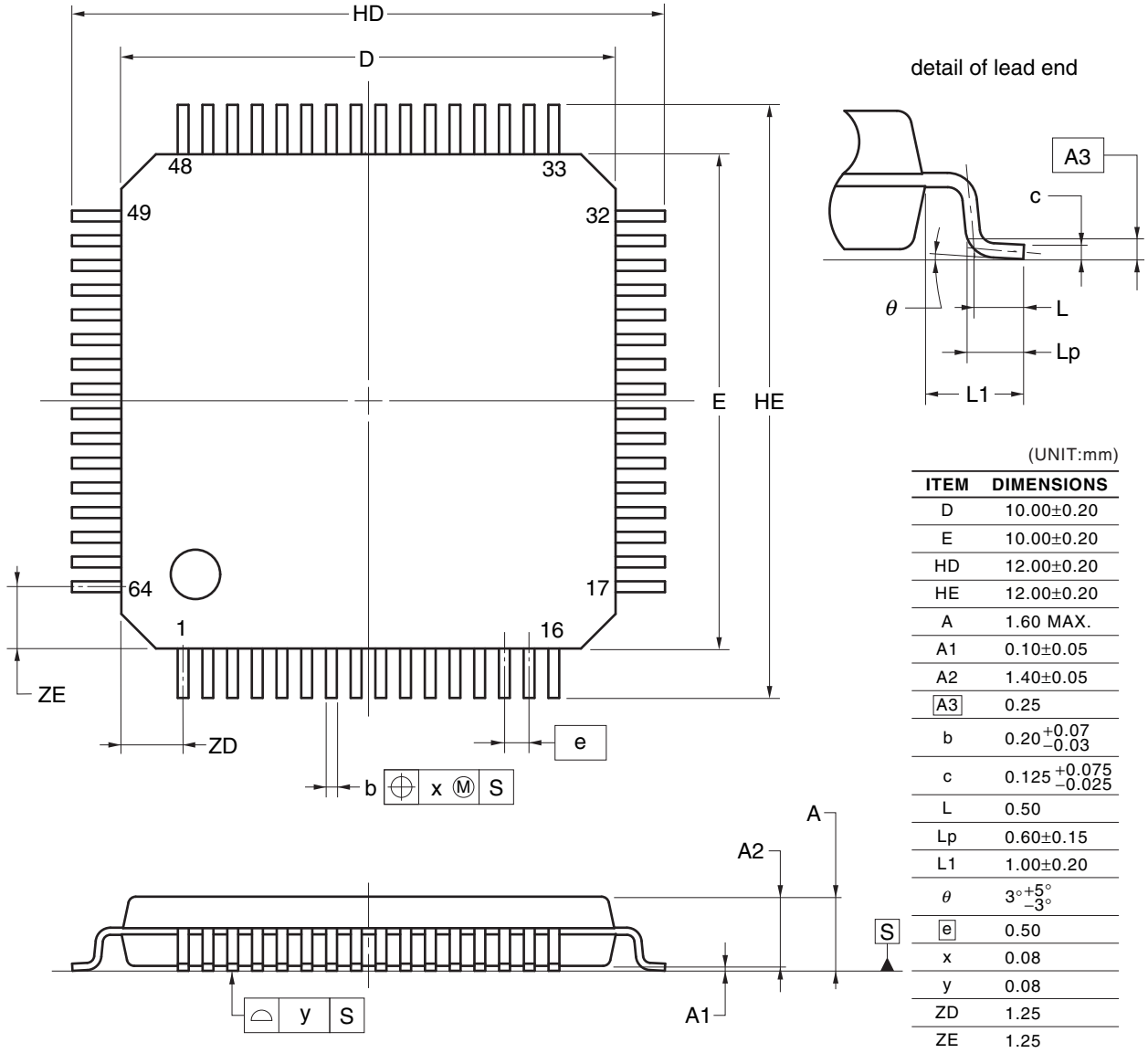


JEITA Package Code	RENESAS Code	Previous Code	MASS (TYP.) [g]
P-LFQFP64-10x10-0.50	PLQP0064KF-B	P64GB-50-GAH-2	0.33



NOTE
Each lead centerline is located within 0.08 mm of its true position at maximum material condition.