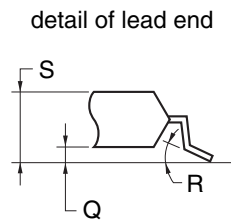
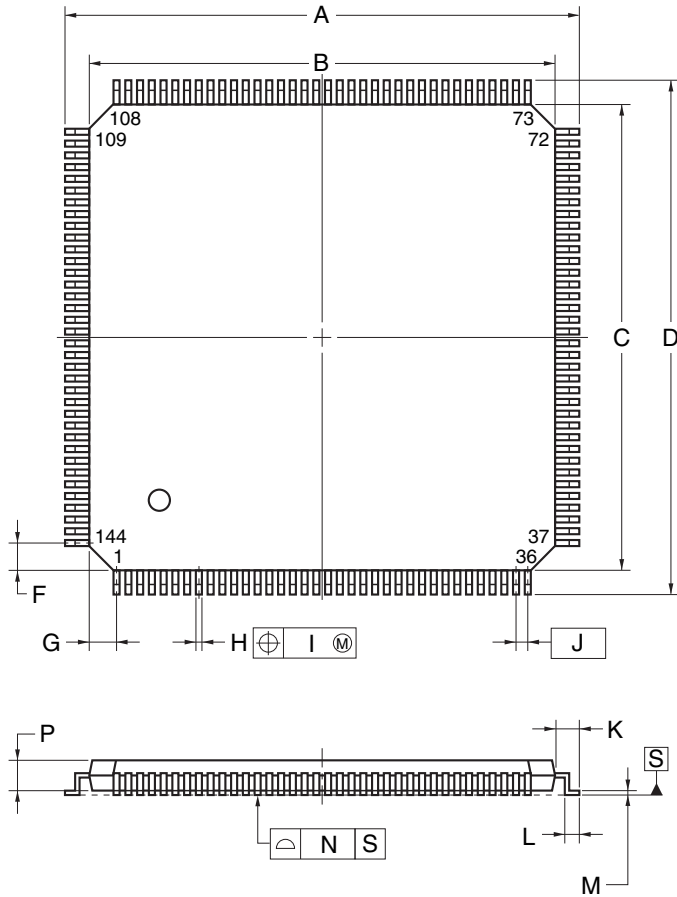


| | | | |
|-----------------------|--------------|-----------------|-----------------|
| JEITA Package Code | RENESAS Code | Previous Code | MASS (TYP.) [g] |
| P-LFQFP144-20x20-0.50 | PLQP0144KD-D | S144GJ-50-UEN-1 | 1.3 |



| ITEM | MILLIMETERS |
|------|--|
| A | 22.0±0.2 |
| B | 20.0±0.2 |
| C | 20.0±0.2 |
| D | 22.0±0.2 |
| F | 1.25 |
| G | 1.25 |
| H | 0.22±0.05 |
| I | 0.08 |
| J | 0.5 (T.P.) |
| K | 1.0±0.2 |
| L | 0.5±0.2 |
| M | 0.17 ^{+0.03} _{-0.07} |
| N | 0.08 |
| P | 1.4 |
| Q | 0.10±0.05 |
| R | 3° ^{+4°} _{-3°} |
| S | 1.5±0.1 |

NOTE

Each lead centerline is located within 0.08 mm of its true position (T.P.) at maximum material condition.