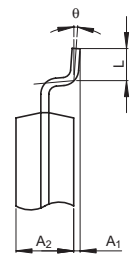
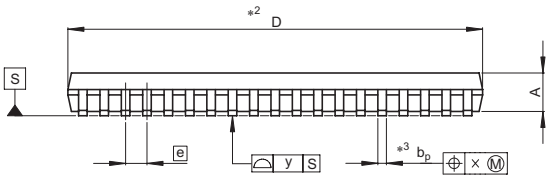
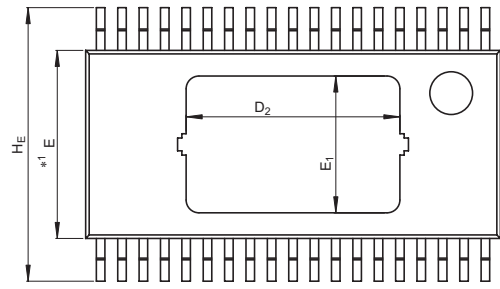
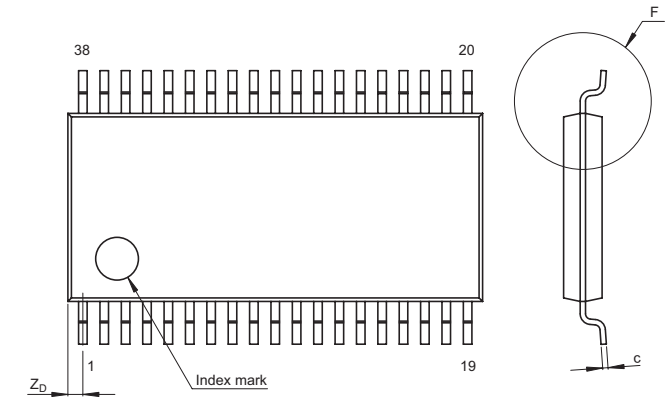


JEITA Package Code	RENESAS Code	Previous Code	MASS[Typ.]
P-HTSSOP38-4.4x9.7-0.50	PTSP0038KB-B	38P2D-B	0.11g



Detail F

NOTE)  
 1. DIMENSIONS "\*1" AND "\*2"  
 DO NOT INCLUDE MOLD FLASH.  
 2. DIMENSION "\*3" DOES NOT  
 INCLUDE TRIM OFFSET.

Reference Symbol	Dimension in Millimeters		
	Min	Nom	Max
D	9.6	9.7	9.8
E	4.3	4.4	4.5
A <sub>2</sub>	—	0.9	—
A <sub>1</sub>	0.05	0.1	0.15
A	—	—	1.2
b <sub>p</sub>	0.17	0.2	0.27
c	0.09	0.125	0.2
θ	0°	—	8°
H <sub>E</sub>	6.2	6.4	6.6
e	—	0.5	—
x	—	—	0.08
y	—	—	0.08
Z <sub>D</sub>	—	0.35	—
L	0.4	0.5	0.6
D <sub>2</sub>	—	5.0	—
E <sub>1</sub>	—	3.2	—