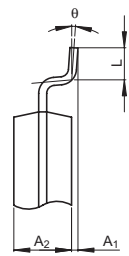
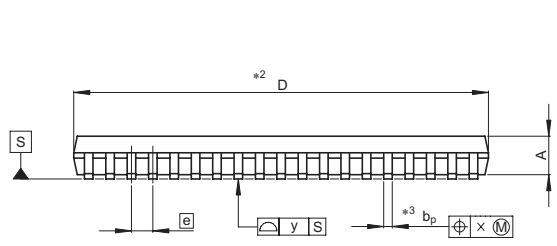
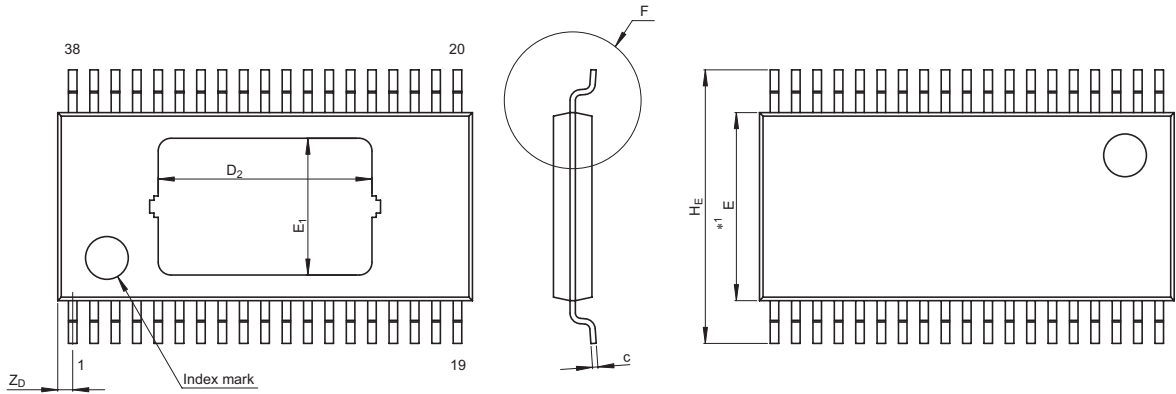


JEITA Package Code	RENESAS Code	Previous Code	MASS[Typ.]
P-HTSSOP38-4.4x9.7-0.50	PTSP0038KB-A	38P2D-A	0.11g



Detail F

NOTE)
 1. DIMENSIONS "*1" AND "*2"
 DO NOT INCLUDE MOLD FLASH.
 2. DIMENSION "*3" DOES NOT
 INCLUDE TRIM OFFSET.

Reference Symbol	Dimension in Millimeters		
	Min	Nom	Max
D	9.6	9.7	9.8
E	4.3	4.4	4.5
A ₂	—	0.9	—
A ₁	0.05	0.1	0.15
A	—	—	1.2
b _p	0.17	0.2	0.27
c	0.09	0.125	0.2
θ	0°	—	8°
H _E	6.2	6.4	6.6
@	—	0.5	—
x	—	—	0.08
y	—	—	0.08
Z _D	—	0.35	—
L	0.4	0.5	0.6
D ₂	—	5.0	—
E ₁	—	3.2	—