

JEITA Package Code

RENESAS Code

Previous Code

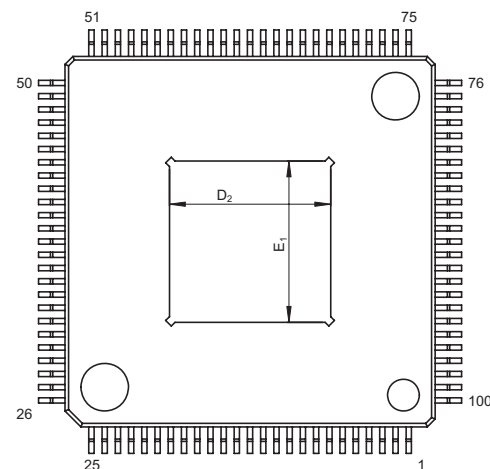
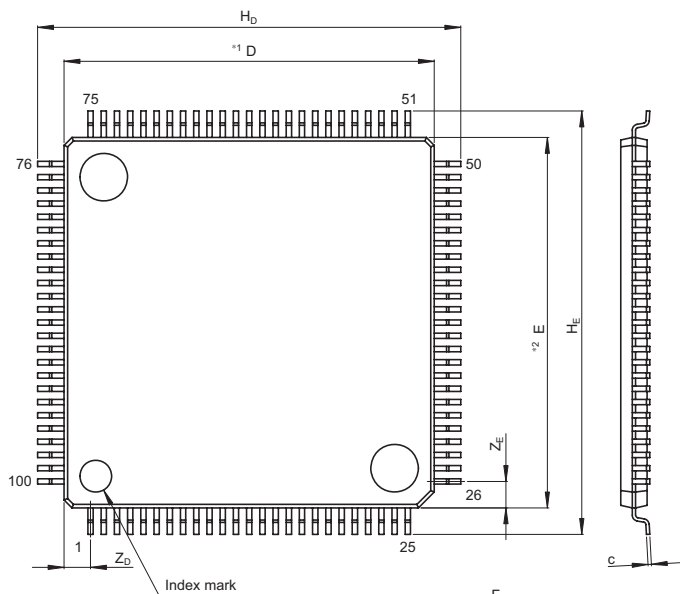
MASS[Typ.]

P-HTFQFP100-14x14-0.50

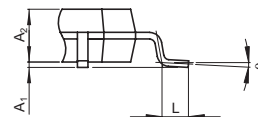
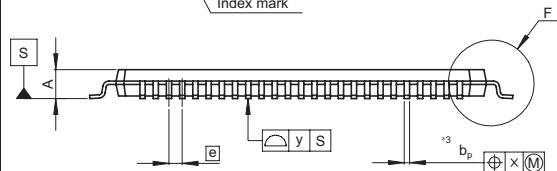
PTQP0100KE-E

100PFW-E

0.5g



NOTE)

1. DIMENSIONS\*\*1",\*\*2"  
DO NOT INCLUDE MOLD FLASH.2. DIMENSION\*\*3"  
INCLUDE TRIM OFFSET.

Detail F

Reference Symbol	Dimension in Millimeters		
	Min	Nom	Max
D	13.9	14.0	14.1
E	13.9	14.0	14.1
A <sub>2</sub>	—	1.0	—
H <sub>D</sub>	15.8	16.0	16.2
H <sub>E</sub>	15.8	16.0	16.2
A	—	—	1.2
A <sub>1</sub>	0.05	0.1	0.15
b <sub>p</sub>	0.17	0.22	0.27
c	0.09	0.145	0.20
θ	0°	—	8°
e	—	0.5	—
x	—	—	0.08
y	—	—	0.08
Z <sub>D</sub>	—	1.0	—
Z <sub>E</sub>	—	1.0	—
L	0.4	0.5	0.6
D <sub>2</sub>	—	6.1	—
L <sub>1</sub>	—	6.1	—