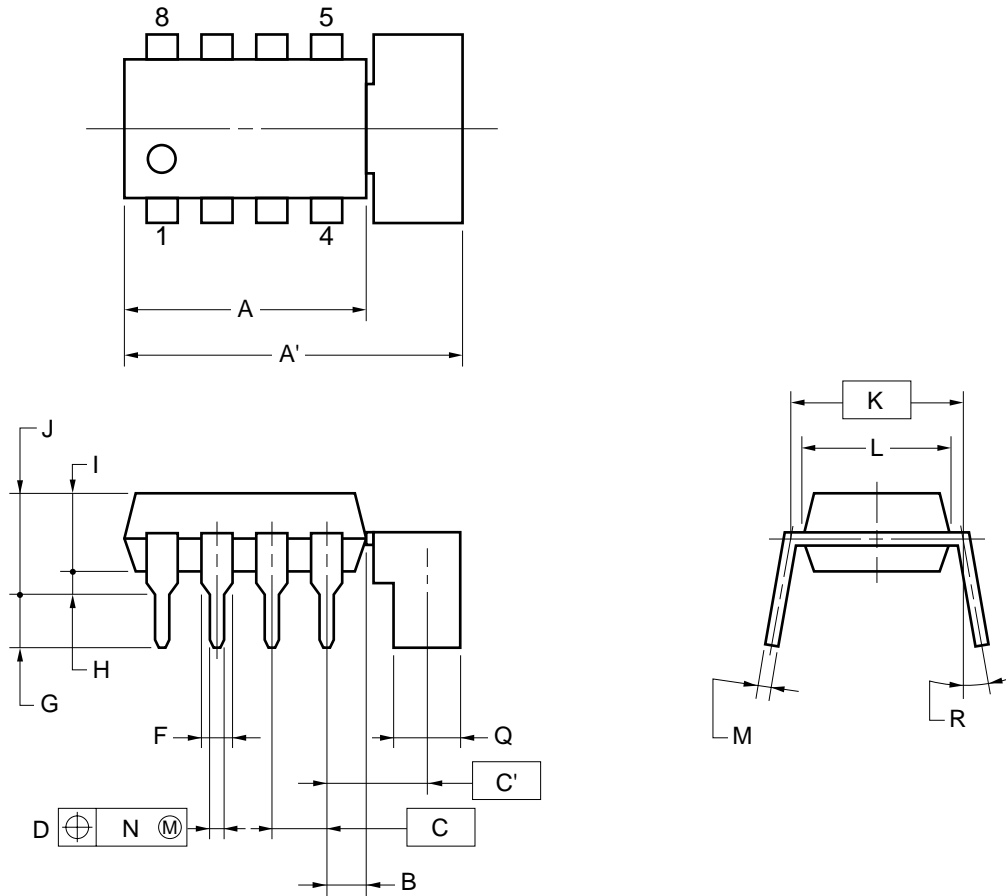


8-PIN PLASTIC DIP WITH TAB (7.62mm(300))



NOTES

- Each lead centerline is located within 0.25 mm of its true position (T.P.) at maximum material condition.
- Item "K" indicates the distance between the center locations of PCB hole rows.
The distance between the center of leads when formed parallel is 8.0 mm TYP.

ITEM	MILLIMETERS
A	12.70 MAX.
A'	14.50 MAX.
B	2.54 MAX.
C	2.54 (T.P.)
C'	3.65
D	0.50±0.10
F	1.1 MIN.
G	3.5±0.3
H	0.51 MIN.
I	4.31 MAX.
J	5.08 MAX.
K	7.62 (T.P.)
L	6.4
M	0.30 ^{+0.10} _{-0.05}
N	0.25
Q	2.62±0.50
R	0-15°

P8CT-100-300B2-2