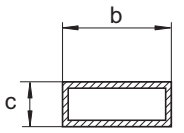
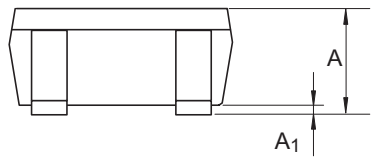
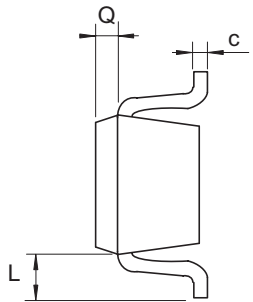
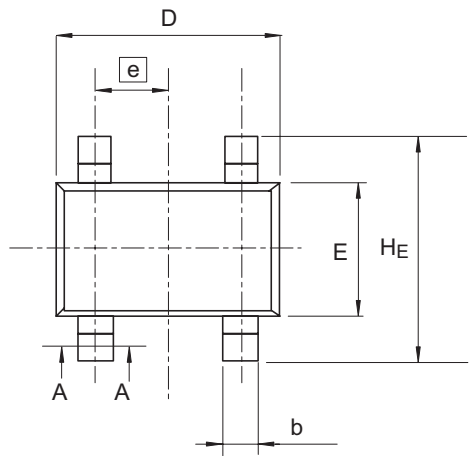
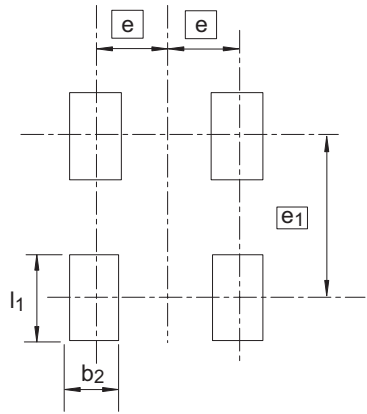


Package Name	JEITA Package Code	RENESAS Code	Previous Code	MASS[Typ.]
CMPAK-4	SC-82	PTSP0004ZB-A	CMPAK-4(D) / CMPAK-4(D)/V	0.006g



A — A Section



Pattern of terminal position areas

Reference Symbol	Dimension in Millimeters		
	Min	Nom	Max
A	0.8	0.9	1.0
A ₁	0	-	0.1
b	0.25	0.3	0.35
c	0.1	0.16	0.26
D	1.8	2.0	2.2
E	1.15	1.25	1.35
e	-	0.65	-
HE	1.9	2.1	2.3
L	-	0.425	-
b ₂	-	-	0.45
e ₁	-	1.5	-
l ₁	-	-	0.9
Q	-	0.2	-