

JEITA Package Code

RENASAS Code

Previous Code

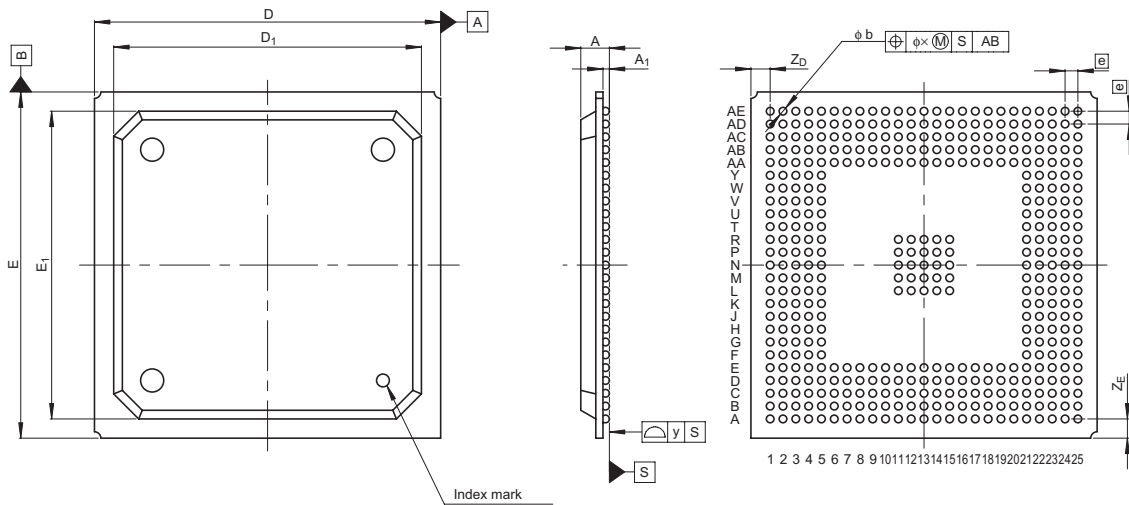
MASS[Typ.]

P-BGA425-27x27-1.00

PRBG0425FB-A

425F7T

2.3g



Reference Symbol	Dimension in Millimeters		
	Min	Nom	Max
D	26.8	27.0	27.2
E	26.8	27.0	27.2
A	—	—	2.6
A <sub>1</sub>	0.4	0.5	0.6
e	—	1.0	—
b	0.5	0.6	0.7
x	—	—	0.25
y	—	—	0.15
Z <sub>D</sub>	—	1.5	—
Z <sub>E</sub>	—	1.5	—
D <sub>1</sub>	23.8	24.0	24.2
E <sub>1</sub>	23.8	24.0	24.2