

JEITA Package Code

RENESAS Code

Previous Code

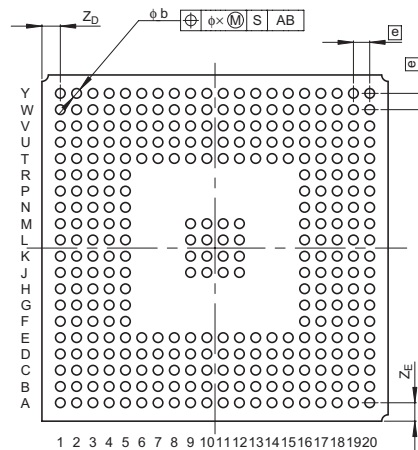
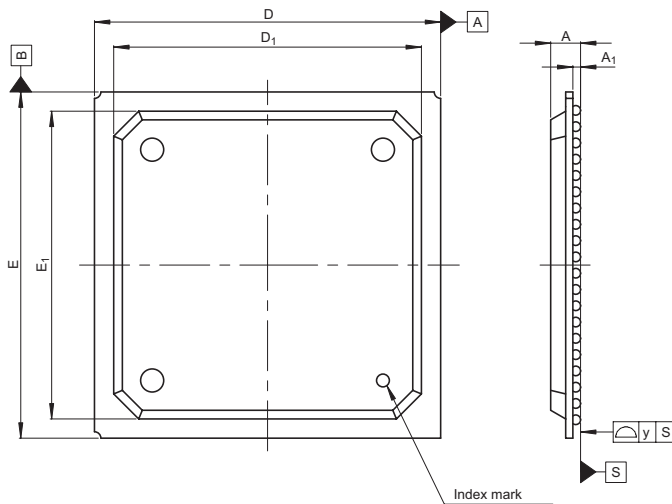
MASS[Typ.]

P-BGA316-27x27-1.27

PRBG0316DB-A

316F7A

2.6g



Reference Symbol	Dimension in Millimeters		
	Min	Nom	Max
D	26.8	27.0	27.2
E	26.8	27.0	27.2
A	—	—	2.6
A ₁	0.5	0.6	0.7
e	—	1.27	—
b	0.6	0.75	0.9
x	—	—	0.3
y	—	—	0.15
Z _D	—	1.435	—
Z _E	—	1.435	—
D ₁	23.8	24.0	24.2
E ₁	23.8	24.0	24.2