

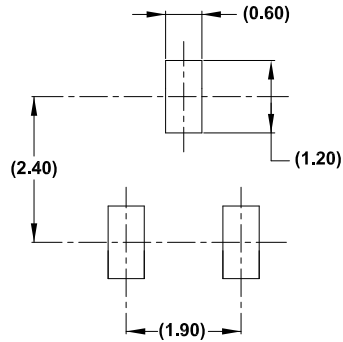
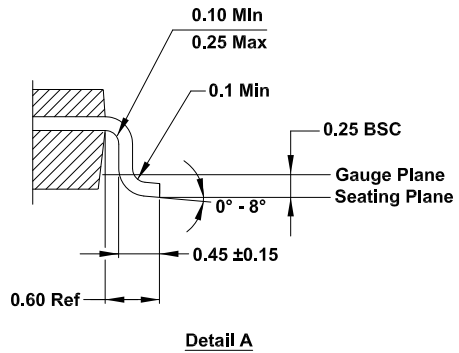
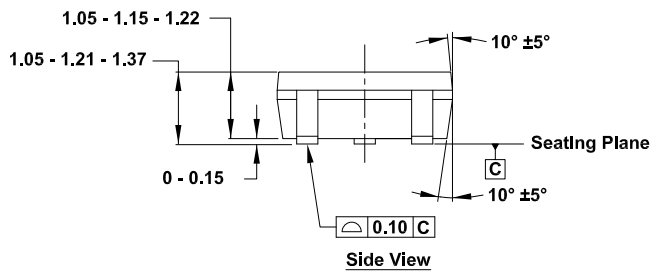
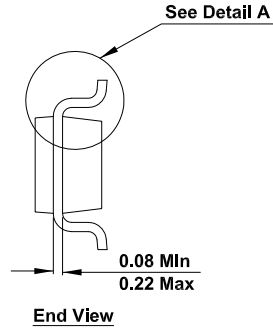
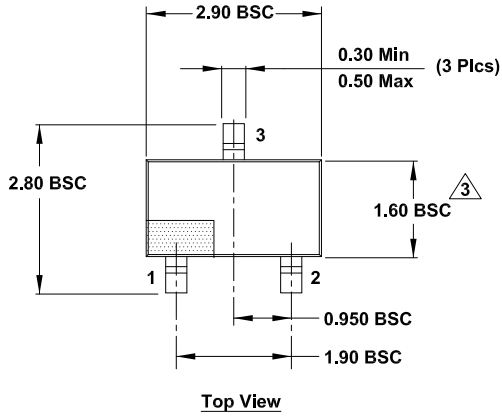
# Plastic Packages for Integrated Circuits

## Package Outline Drawing

P3.064B

3 Lead Small Outline Transistor Plastic Package (SOT23-3)

Rev 1, 3/2021



**Notes:**

1. Dimens are in millimeters.  
Dimensions in ( ) for reference only.
2. Dimensioning and tolerancing conform to ASME Y14.5m-1994.
3. Reference: MO-178