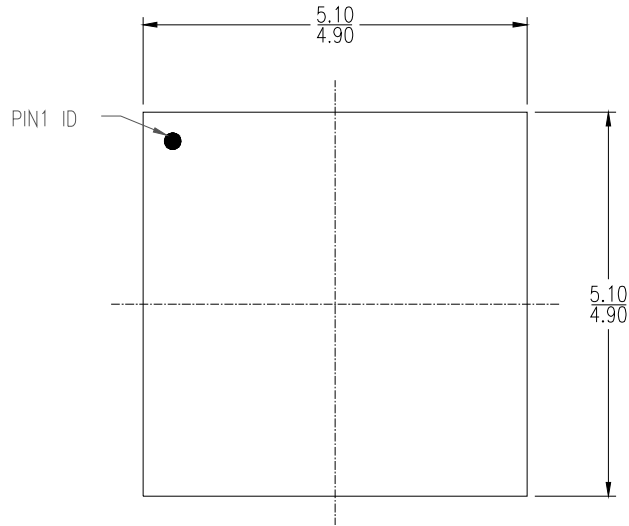
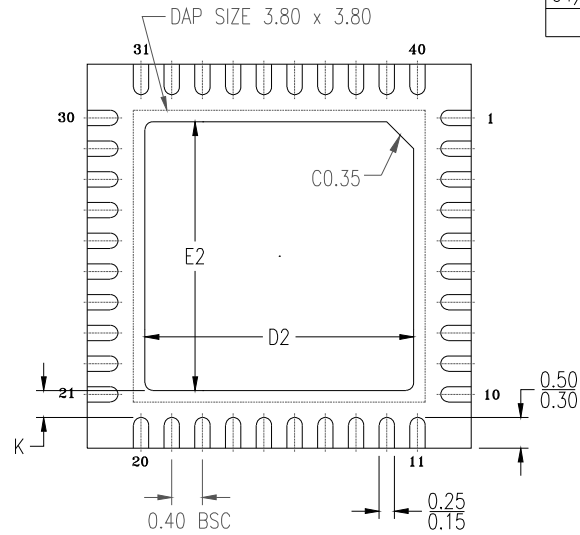


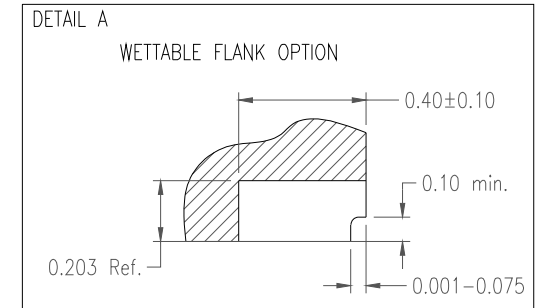
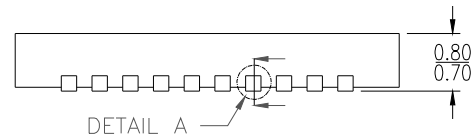
POD IN TOP VIEW



POD IN BOTTOM VIEW



POD IN SIDE VIEW



NOTES:

1. Dimensioning and tolerancing conform to ASME Y14.5-2009.
2. All dimensions are in millimeters.

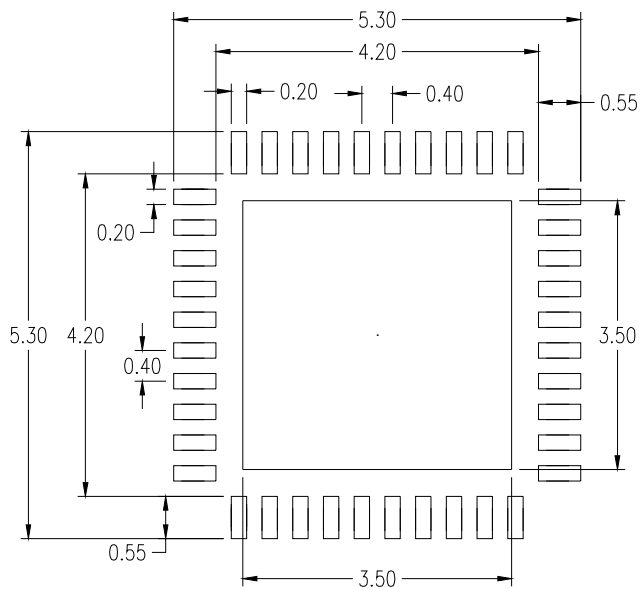
EPAD OPTION:

SYMBOL	P1			P2			S1 WETTABLE FLANK OPTION			S2 WETTABLE FLANK OPTION		
	MIN	NOM	MAX	MIN	NOM	MAX	MIN	NOM	MAX	MIN	NOM	MAX
D2	3.40	3.50	3.60	3.50	3.60	3.70	3.50	3.60	3.70	3.40	3.50	3.60
E2	3.40	3.50	3.60	3.50	3.60	3.70	3.50	3.60	3.70	3.40	3.50	3.60
K	0.35 REF.			0.30 REF.			0.30 REF.			0.35 REF.		

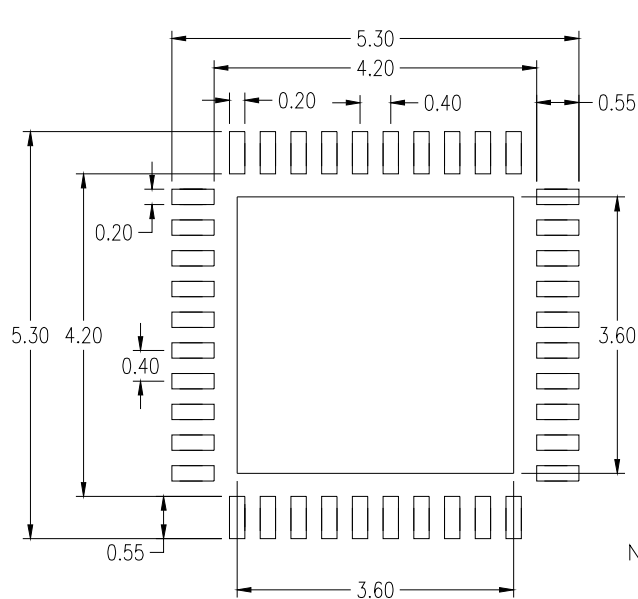
DATE CREATED	REVISIONS		
	REV	DESCRIPTION	AUTHOR
3/16/10	00	INITIAL RELEASE	P.P
1/24/14	01	COMBINE POD & LAND PATTERN	J.H
11/1/17	02	ADD EPAD OPTION ADJUST LAND PATTERN	J.H
04/20/21	03	ADD EPAD OPTION S1, S2	KC

NOTE: REFER TO DCP FOR OFFICIAL RELEASE DATE

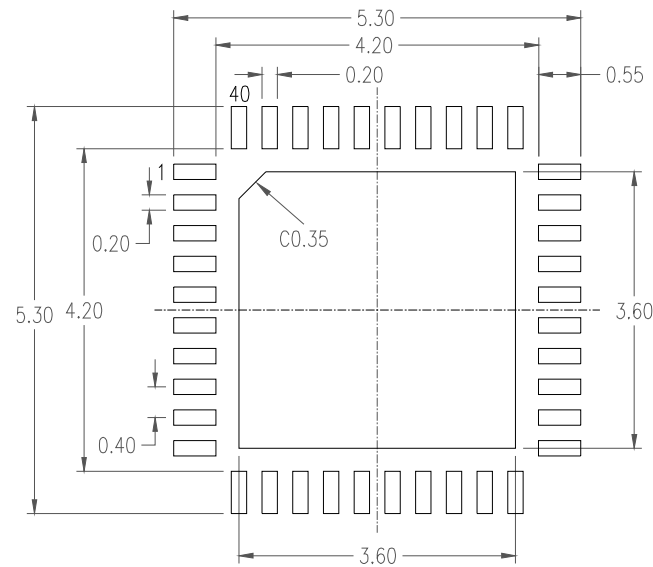
TOLERANCES UNLESS SPECIFIED DECIMAL ANGULAR XX± XXX± XXXX±	6024 Silver Creek Valley Rd San Jose, CA 95138 PHONE: (408) 284-8200 FAX: (408) 284-3572	
	<b>RENESAS</b>	
TITLE NTG40 Package Outline Drawing 5.0 x 5.0 x 0.75 mm Body 0.40 mm Pitch VQQFPN		
SIZE C	DRAWING No. PSC-4295	REV 03
DO NOT SCALE DRAWING		SHEET 1 OF 2



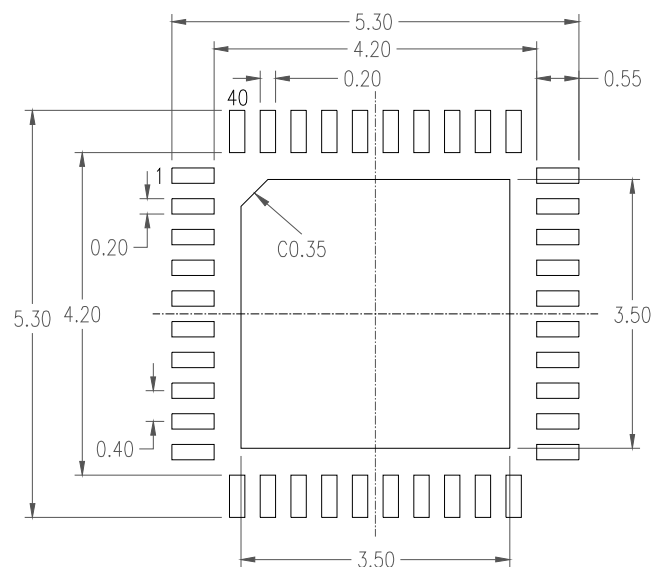
OPTION P1



OPTION P2



OPTION S1



OPTION S2

RECOMMENDED LAND PATTERN DIMENSION

DATE CREATED	REVISIONS		
	REV	DESCRIPTION	AUTHOR
3/16/10	00	INITIAL RELEASE	P.P
1/24/14	01	COMBINE POD & LAND PATTERN	J.H
11/1/17	02	ADD EPAD OPTION ADJUST LAND PATTERN	J.H
04/20/21	03	ADD EPAD OPTION S1, S2	KC

NOTE: REFER TO DCP FOR OFFICIAL RELEASE DATE

NOTES:

1. ALL DIMENSION ARE IN mm. ANGLES IN DEGREES
2. LAND PATTERN RECOMMENDATION PER IPC-7351B GENERIC REQUIREMENT FOR SURFACE MOUNT DESIGN AND LAND PATTERN

TOLERANCES UNLESS SPECIFIED DECIMAL ANGULAR XX± XXX± XXXX±	6024 Silver Creek Valley Rd San Jose, CA 95138 PHONE: (408) 284-8200 FAX: (408) 284-3572	
	<b>RENESAS</b>	
TITLE NTG40 Package Outline Drawing 5.0 x 5.0 x 0.75 mm Body 0.40 mm Pitch VQFPN		
SIZE C	DRAWING No. PSC-4295	REV 03
DO NOT SCALE DRAWING		SHEET 2 OF 2