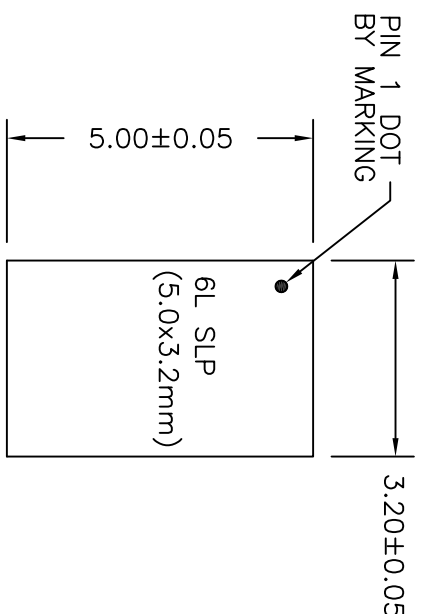
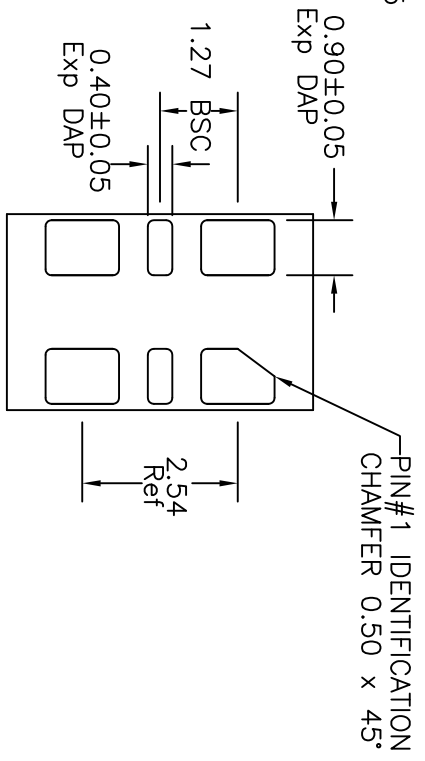


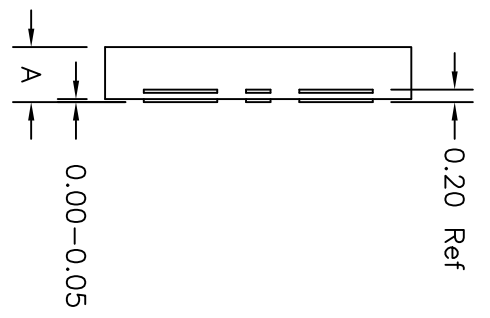
REVISIONS			
REV	DESCRIPTION	DATE	APPROVED
00	INITIAL RELEASE	1/16/13	RC
01	COMBINE POD & LAND PATTERN	1/29/14	JH
02	ADD NOTE RECOMMENDED LAND PAETTERN	2/19/14	JH



TOP VIEW



BOTTOM VIEW




SIDE VIEW

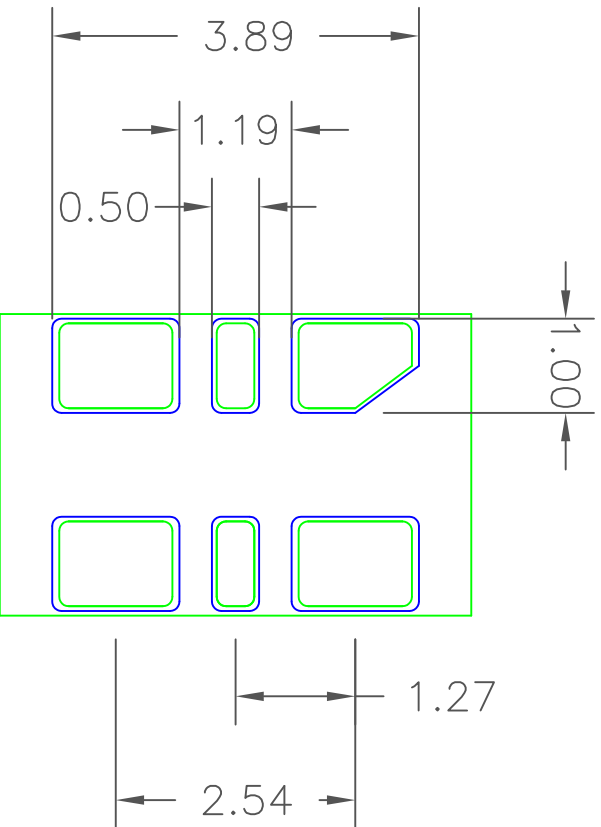
NOTE:  
 1) TLSP AND SLP SHARE THE SAME EXPOSE OUTLINE  
 BUT WITH DIFFERENT THICKNESS

A	TLSP		SLP	
	MAX	0.80	0.90	
	NOM	0.75	0.85	
	MIN	0.70	0.80	

2) ALL DIMENSIONS IN millimeters

TOLERANCES UNLESS SPECIFIED DECIMAL ANGULAR ±1° XX±.05 XXX±.030		 6024 SILVER CREEK VALLEY ROAD, SAN JOSE, CA 95138 PHONE: (408) 284-8200 FAX: (408) 284-3572	
APPROVALS	DATE	TITLE	
DRAWN <i>QAC</i>	1/16/13	NS/NSG6 PACKAGE OUTLINE	
CHECKED		VQFN	
SIZE	DRAWING No.	REV	
C	PSC-4454	02	
DO NOT SCALE DRAWING		SHEET 1 OF 2	

REVISIONS			
REV	DESCRIPTION	DATE	APPROVED
00	INITIAL RELEASE	1/16/13	RC
01	COMBINE POD & LAND PATTERN	1/29/14	J.H
02	ADD NOTE RECOMMENDED LAND PATTERN	2/19/14	J.H



RECOMMENDED LAND PATTERN

- NOTES:
1. ALL DIMENSIONS ARE IN MM. ANGLES IN DEGREES.
  2. TOP DOWN VIEW. AS VIEWED ON PCB.
  3. COMPONENT OUTLINE IS SHOWN FOR REFERENCE IN GREEN.
  4. LAND PATTERN IN BLUE. NSMD PATTERN ASSUMED.
  5. LAND PATTERN RECOMMENDATION PER IPC-7351B GENERIC REQUIREMENT FOR SURFACE MOUNT DESIGN AND LAND PATTERN.

TOLERANCES UNLESS SPECIFIED		ANGULAR ±1°	
DECIMAL		XXX.X	
XXX.X		.030	
APPROVALS	DATE	TITLE	
DRAWN 024G	1/16/13	NS/NSG6 PACKAGE OUTLINE	
CHECKED		5.0 x 3.2 mm BODY	
		VQFN	
SIZE	DRAWING No.	REV	
C	PSC-4454	02	
DO NOT SCALE DRAWING		SHEET 2 OF 2	



6024 SILVER CREEK  
VALLEY ROAD, SAN JOSE,  
CA 95138  
PHONE: (408) 284-8200  
FAX: (408) 284-3572

WWW.IDT.COM