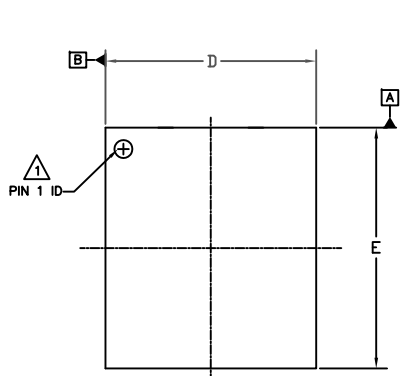
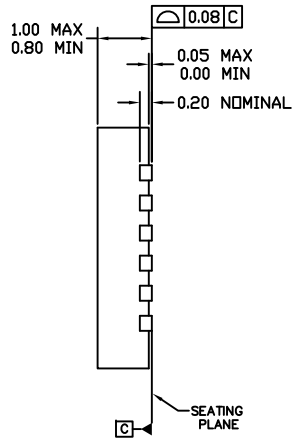


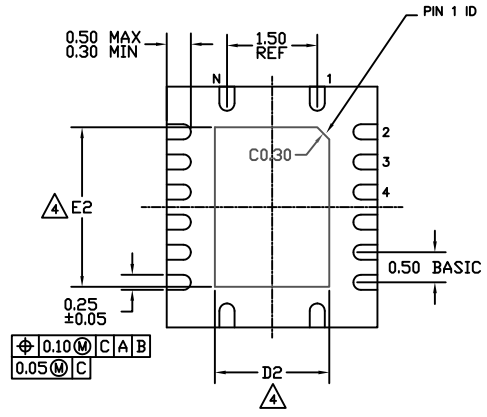
REVISIONS			
REV	DESCRIPTION	DATE	APPROVED
00	INITIAL RELEASE	6/3/16	JH



TOP VIEW




SIDE VIEW



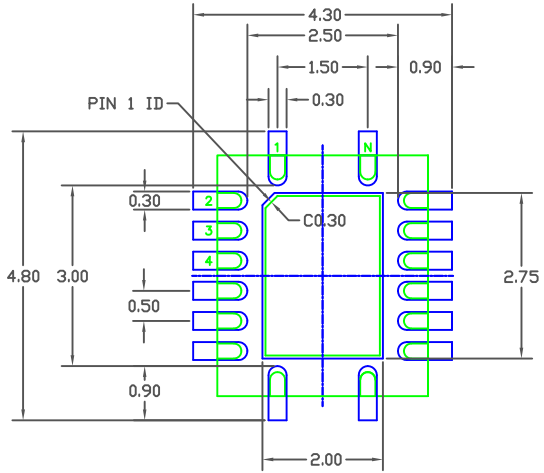
BOTTOM VIEW

SYMBOL	DIMENSION			NOTE
	MIN.	NOM.	MAX.	
N	16			2
D	3.35	3.50	3.65	
E	3.85	4.00	4.15	
D2	1.80	1.90	2.00	4
E2	2.55	2.65	2.75	4

- NOTES:
- △ EXACT SHAPE AND SIZE OF THIS FEATURE IS OPTIONAL.
 - N IS THE NUMBER OF TERMINALS.
 - ALL DIMENSIONS ARE IN MILLIMETERS.
 - △ DIMENSIONS D1 & E1 VARY DEPENDING ON DEVICE., SUPPLIER, ETC.


TOLERANCES UNLESS SPECIFIED		 www.IDT.com	6024 SILVER CREEK VALLEY ROAD. SAN JOSE, CA 95138	
DECIMAL	ANGULAR		PHONE: (408) 284-8200	
X± .1	±1°	FAX: (408) 284-3572		
XX± .05				
XXX± .030				
APPROVALS	DATE	TITLE NRG16 PACKAGE OUTLINE		
DRAWN PXP	02/10/03	3.5 X 4.0 mm BODY, EPAD 1.90 x 2.65mm VFQFP-N		
CHECKED				
		SIZE	DRAWING No.	REV
		C	PSC-4119-01	00
DO NOT SCALE DRAWING				SHEET 1 OF 2

REVISIONS			
REV	DESCRIPTION	DATE	APPROVED
00	INITIAL RELEASE	6/3/16	JH



RECOMMENDED LAND PATTERN DIMENSION

- NOTES:
1. ALL DIMENSIONS ARE IN mm. ANGLES IN DEGREES.
 2. TOP DOWN VIEW, AS VIEWED ON PCB.
 3. COMPONENT OUTLINE SHOWS FOR REFERENCE IN GREEN.
 4. LAND PATTERN IN BLUE. NSMD PATTERN ASSUMED.
 5. LAND PATTERN RECOMMENDATION PER IPC-7351B GENERIC REQUIREMENT FOR SURFACE MOUNT DESIGN AND LAND PATTERN.

TOLERANCES UNLESS SPECIFIED DECIMAL ANGULAR X± .1 ±1° XX± .05 XXX± .030		 IDT™ www.IDT.com		6024 SILVER CREEK VALLEY ROAD. SAN JOSE, CA 95138 PHONE: (408) 284-8200 FAX: (408) 284-3572	
APPROVALS	DATE	TITLE			
	02/10/03	NRG16 PACKAGE OUTLINE			
CHECKED		3.5 X 4.0 mm BODY, EPAD 1.90 x 2.65mm VFQFP-N			
		SIZE	DRAWING No.	REV	
		C	PSC-4119-01	00	
DO NOT SCALE DRAWING					SHEET 2 OF 2