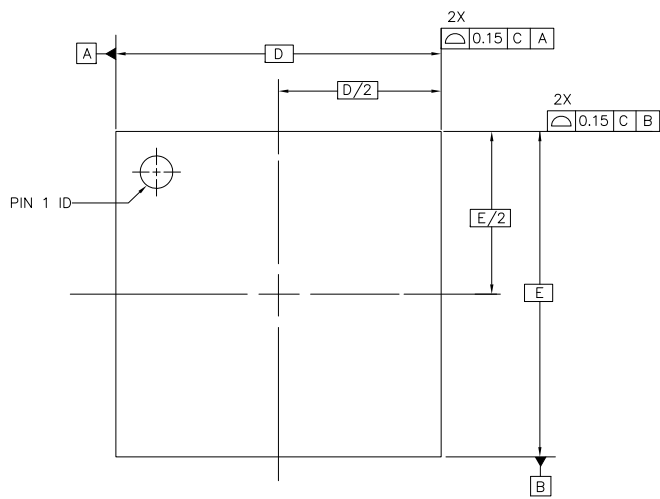
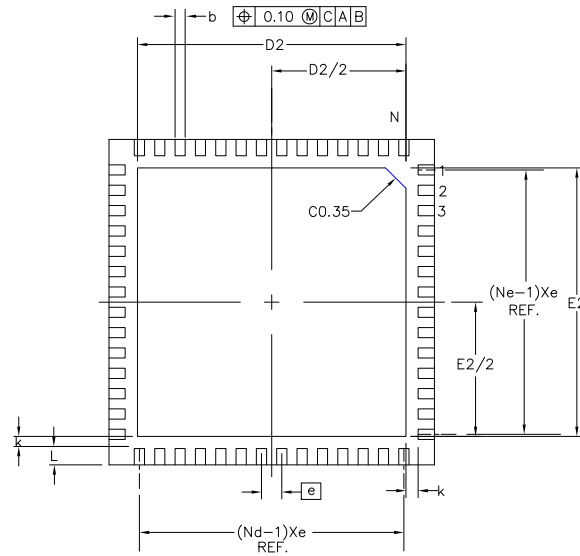


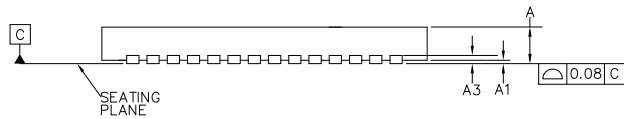
| REVISIONS | | | |
|-----------|-----------------|---------|----------|
| REV | DESCRIPTION | DATE | APPROVED |
| 00 | INITIAL RELEASE | 5/23/16 | JH |



TOP VIEW

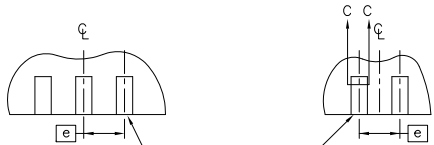


BOTTOM VIEW



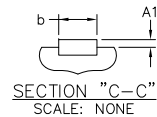
SIDE VIEW

| SYMBOL | DIMENSION | | |
|--------------------------|-----------|------|------|
| | MIN. | NOM. | MAX. |
| $\text{\textcircled{e}}$ | 0.50 BSC | | |
| N | 56 | | |
| Nd | 14 | | |
| Ne | 14 | | |
| L | 0.30 | 0.40 | 0.50 |
| b | 0.18 | 0.25 | 0.30 |
| D2 | 6.45 | 6.60 | 6.75 |
| E2 | 6.45 | 6.60 | 6.75 |
| A | 0.80 | 0.90 | 1.00 |
| A1 | 0.00 | 0.02 | 0.05 |
| A3 | 0.20 REF. | | |
| D | 8.00 BSC | | |
| E | 8.00 BSC | | |
| θ | - | - | 12° |
| k | - | 0.30 | - |



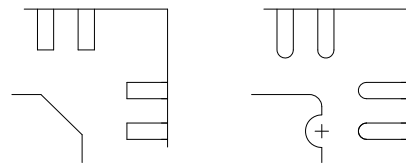
FOR ODD TERMINAL/SIDE

FOR EVEN TERMINAL/SIDE




NOTES:

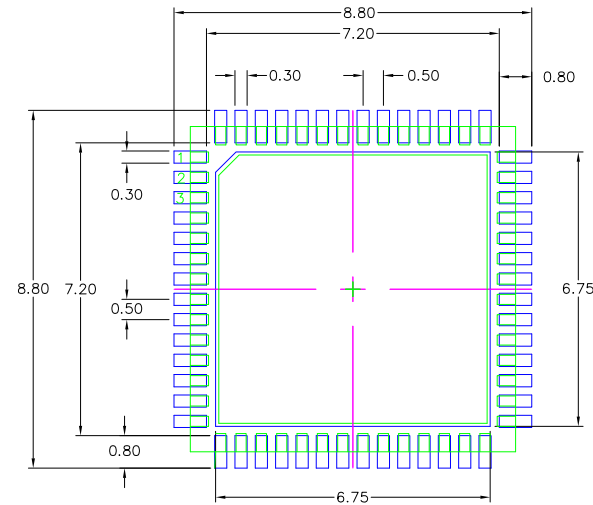
1. DIMENSIONING & TOLERANCING CONFORM TO ASME Y14.5M. - 1994.
2. ALL DIMENSIONS ARE IN mm.



PIN #1 ID AND TIE BAR MARK OPTION

| | | | | |
|-----------------------------|----------|---|---|--------------|
| TOLERANCES UNLESS SPECIFIED | |  www.IDT.com | 6024 SILVERCREEK VALLEY ROAD SAN JOSE CA. 95138 PHONE: (408) 284-8200 FAX: (408) 284-8591 | |
| DECIMAL | ANGULAR | | | |
| XX± | ± | | | |
| XXX± | | | | |
| XXXX± | | | | |
| APPROVALS | DATE | TITLE/NLG 56 PACKAGE OUTLINE | | |
| DRAWN <i>PJC/P</i> | 12/07/01 | 8.0 X 8.0 mm BODY, EPAD 6.60mm SQ | | |
| CHECKED | | 0.50 mm PITCH VFQFP-N | | |
| | | SIZE | DRAWING No. | REV |
| | | C | PSC-4110-02 | 00 |
| DO NOT SCALE DRAWING | | | | SHEET 1 OF 2 |


| REVISIONS | | | |
|-----------|-----------------|---------|----------|
| REV | DESCRIPTION | DATE | APPROVED |
| 00 | INITIAL RELEASE | 5/23/16 | JH |



RECOMMENDED LAND PATTERN DIMENSION

NOTES:

1. ALL DIMENSIONS ARE IN mm. ANGLES IN DEGREES.
2. TOP DOWN VIEW. AS VIEWED ON PCB.
3. COMPONENT OUTLINE SHOWS FOR REFERENCE IN GREEN.
4. LAND PATTERN IN BLUE. NSMD PATTERN ASSUMED.
5. LAND PATTERN RECOMMENDATION PER IPC-7351B GENERIC REQUIREMENT FOR SURFACE MOUNT DESIGN AND LAND PATTERN.

| | | | | |
|--------------------------------|----------|---|---|--------------|
| TOLERANCES UNLESS SPECIFIED | |  www.IDT.com | 6024 SILVERCREEK VALLEY ROAD SAN JOSE CA. 95138 PHONE: (408) 284-8200 FAX: (408) 284-8591 | |
| DECIMAL | ANGULAR | | | |
| XX± | ± | | | |
| XXX± | | | | |
| XXXX± | | | | |
| APPROVALS | DATE | TITLE NL/NLG 56 PACKAGE OUTLINE | | |
| DRAWN <i>PJP</i> | 12/07/01 | 8.0 X 8.0 mm BODY, EPAD 6.60mm SQ 0.50 mm PITCH VFQFP-N | | |
| CHECKED | | SIZE | DRAWING No. | REV |
| | | C | PSC-4110-02 | 00 |
| DO NOT SCALE DRAWING | | | | SHEET 2 OF 2 |