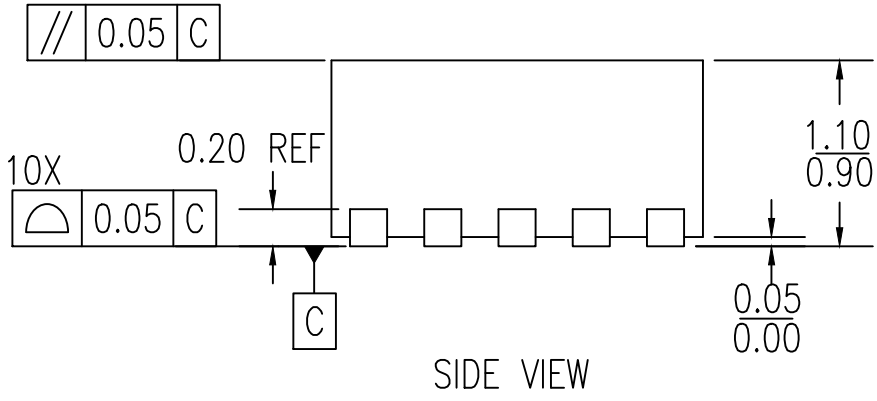
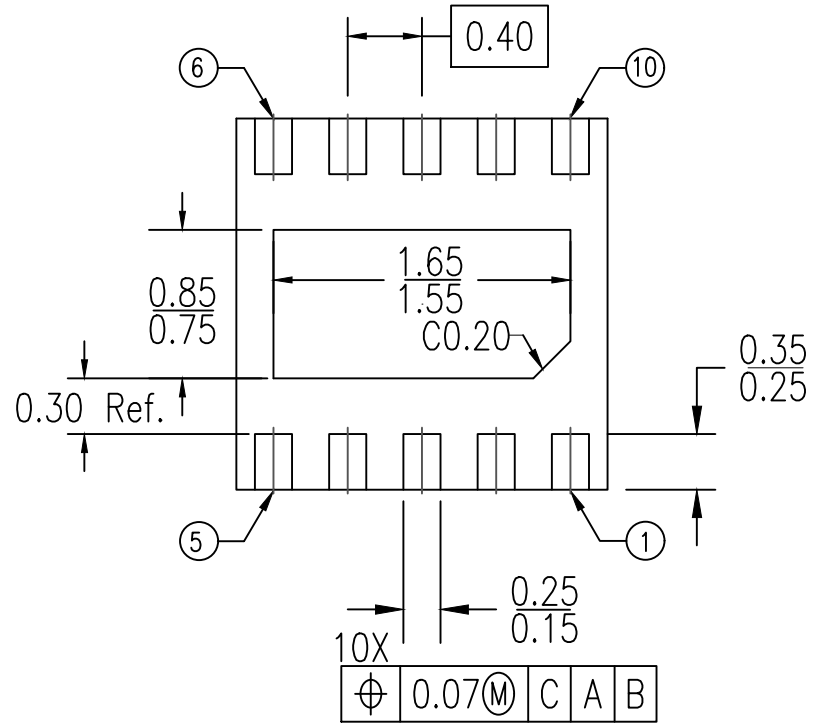
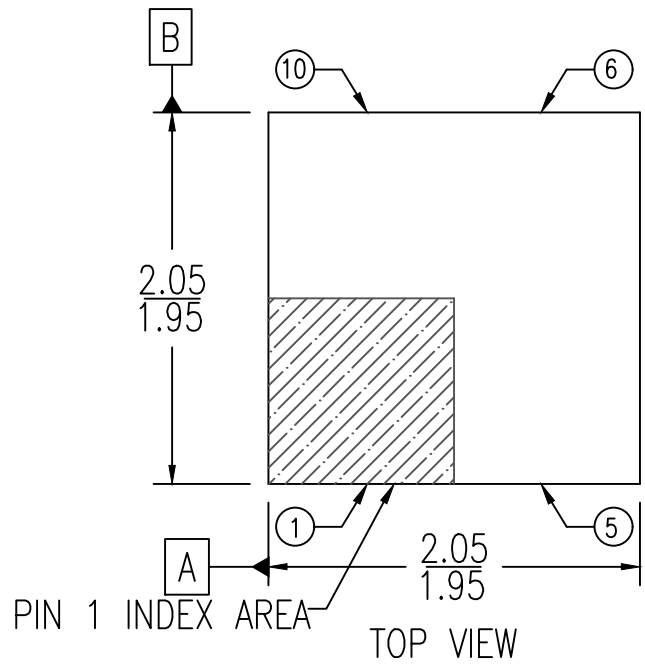



DATE CREATED	REVISIONS		
	REV	DESCRIPTION	AUTHOR
10/25/17	00	INITIAL RELEASE	J.HUA
11/27/17	01	ADD DIMENSION ON LAND PATTERN	J.HUA
6/14/18	02	CHANGE QFN TO VFQFPN	R.CURILAN

NOTE: REFER TO DCP FOR OFFICIAL RELEASE DATE

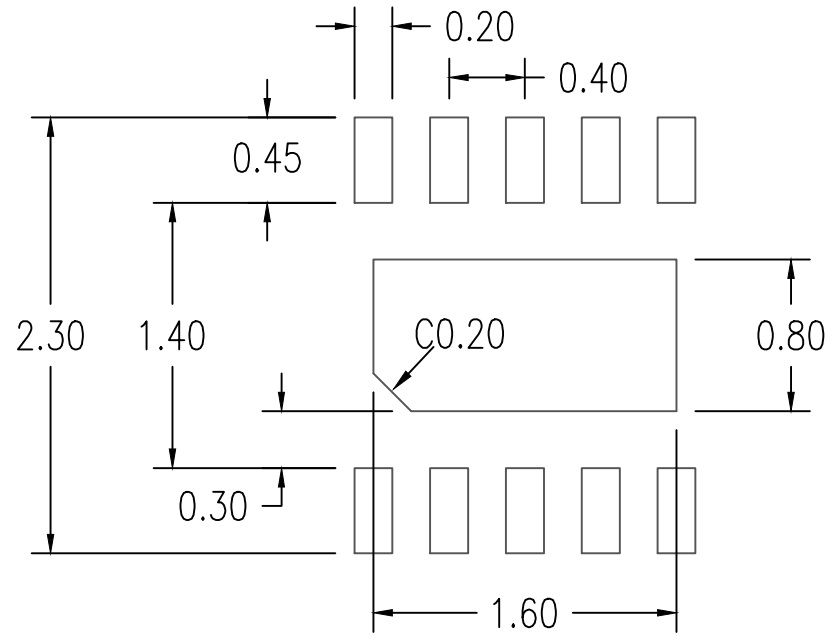


NOTES:
1. ALL DIMENSIONS IN MM.

TOLERANCES UNLESS SPECIFIED		 6024 Silver Creek Valley Rd San Jose, CA 95138 PHONE: (408) 727-6116 FAX: (408) 492-8674 www.IDT.com
DECIMAL	ANGULAR	
XXX±	±	
XXXX±		
TITLE		NLG10 Package Outline Drawing 2.0 x 2.0 x 1.0 mm Body 0.4mm Pitch VFQFPN
SIZE	DRAWING No.	REV
C	PSC-4732	02
DO NOT SCALE DRAWING		SHEET 1 OF 2

DATE CREATED	REVISIONS		
	REV	DESCRIPTION	AUTHOR
10/25/17	00	INITIAL RELEASE	J.HUA
11/27/17	01	ADD DIMESION ON LAND PATTERN	J.HUA
6/14/18	02	CHANGE QFN TO VFQFPN	R.CURILAN


NOTE: REFER TO DCP FOR OFFICIAL RELEASE DATE



RECOMMENDED LAND PATTERN DIMENSION

NOTES:

1. ALL DIMENSIONS ARE IN mm. ANGLES IN DEGREES.
2. LAND PATTERN RECOMMENDATION PER IPC-7351B GENERIC REQUIREMENT FOR SURFACE MOUNT DESIGN AND LAND PATTERN.

TOLERANCES UNLESS SPECIFIED DECIMAL ANGULAR XX± ± XXX± XXXX±	 6024 Silver Creek Valley Rd San Jose, CA 95138 PHONE: (408) 727-6116 FAX: (408) 492-8674 www.IDT.com	
SIZE C	DRAWING No. PSC-4732	REV 02
DO NOT SCALE DRAWING		SHEET 2 OF 2