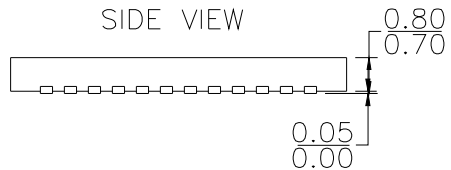
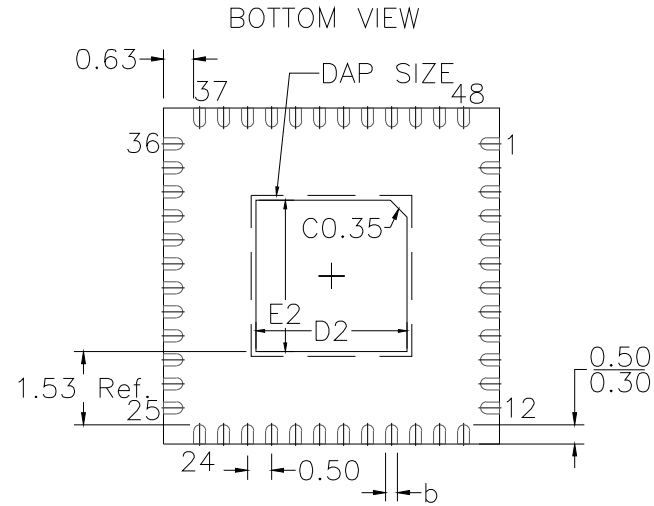
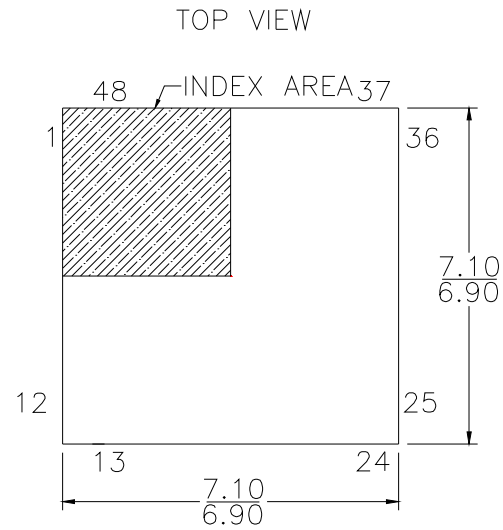


DATE CREATED	REVISIONS		
	REV	DESCRIPTION	AUTHOR
03/13/08	00	INITIAL RELEASE	RC
11/28/12	01	ADD EPAD OPTION	RC
1/28/14	02	COMBINE POD & LAND PATTERN	J.H
9/27/17	03	ADD EPAD OPTION P3	J.H
9/23/19	04	ADD EPAD OPTION P4	KC
NOTE: REFER TO DCP FOR OFFICIAL RELEASE DATE			



EPAD OPTIONS:

SYMBOL	P1 (mm)			P2 (mm)			P3 (mm)			P4 (mm)		
	MIN	NOM	MAX	MIN	NOM	MAX	MIN	NOM	MAX	MIN	NOM	MAX
D2	5.55	5.65	5.75	3.05	3.15	3.25	5.15	5.20	5.25	5.30	5.40	5.50
E2	5.55	5.65	5.75	3.05	3.15	3.25	5.15	5.20	5.25	5.30	5.40	5.50
b	0.20	0.25	0.30	0.20	0.25	0.30	0.20	0.25	0.30	0.18	0.25	0.30

TOLERANCES  
UNLESS SPECIFIED  
DECIMAL ANGULAR  
XX± ±1°  
XXX±

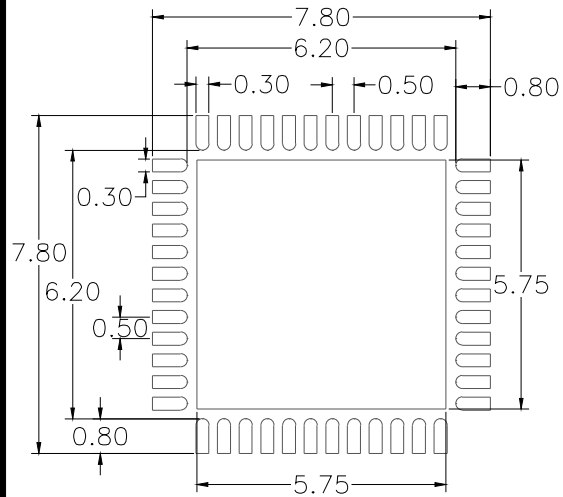


6024 Silver Creek Valley Road  
San Jose CA 95138  
PHONE: (408) 284-8200  
FAX: (408) 284-8591

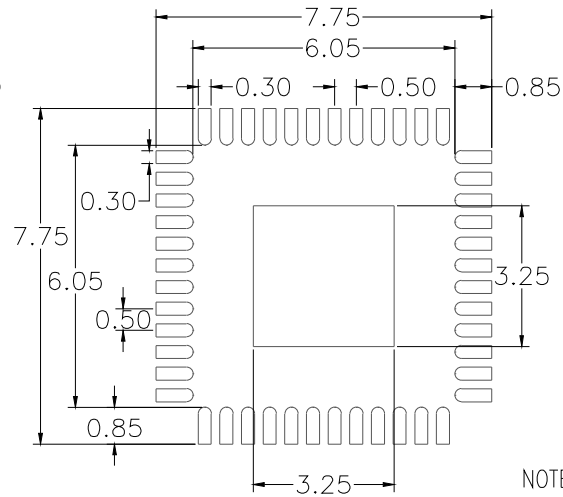
TITLE NB/NBG 48 Package Outline Drawing  
7.0 x 7.0 x 0.75 mm Body  
0.50mm Pitch VQFP-N

SIZE	DRAWING No.	REV
C	PSC-4228	04

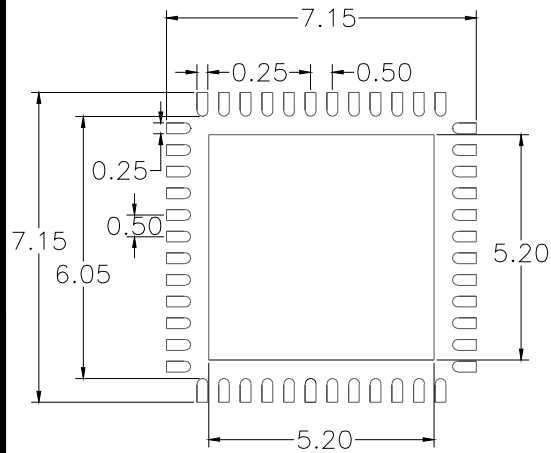
DO NOT SCALE DRAWING SHEET 1 OF 2



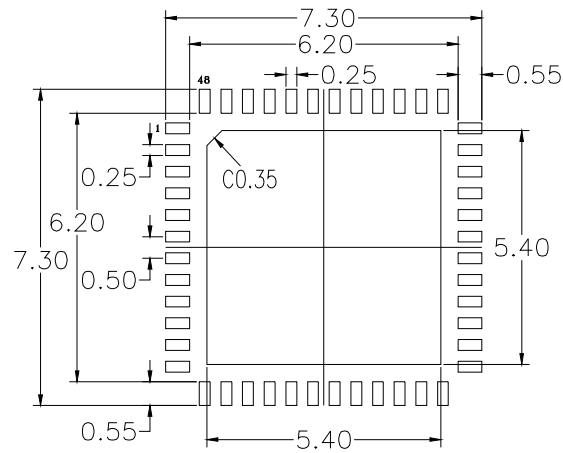
P1: EPAD 5.65 mm SQ



P2: EPAD 3.15 mm SQ



P3: EPAD 5.20 mm SQ




P4: EPAD 5.40 mm SQ

NOTES:

1. ALL DIMENSIONS ARE IN MM. ANGLES IN DEGREES
2. TOP DOWN VIEW. AS VIEWED ON PCB
3. LAND PATTERN RECOMMENDATION PER IPC-7351B GENERIC REQUIREMENT FOR SURFACE MOUNT DESIGN AND LAND PATTERN

DATE CREATED	REVISIONS		
	REV	DESCRIPTION	AUTHOR
03/13/08	00	INITIAL RELEASE	RC
11/28/12	01	ADD EPAD OPTION	RC
1/28/14	02	COMBINE POD & LAND PATTERN	J.H
9/27/17	03	ADD EPAD OPTION P3	J.H
9/23/19	04	ADD EPAD OPTION P4	KC

NOTE: REFER TO DCP FOR OFFICIAL RELEASE DATE

TOLERANCES UNLESS SPECIFIED		 6024 Silver Creek Valley Road San Jose CA 95138 PHONE: (408) 284-8200 FAX: (408) 284-8591
DECIMAL	ANGULAR	
X±	±1°	www.IDT.com
XX±		
XXX±		
TITLE NB/NBG 48 Package Outline Drawing 7.0 x 7.0 x 0.75 mm Body 0.50mm Pitch VFQFP-N		
SIZE C	DRAWING No. PSC-4228	REV 04
DO NOT SCALE DRAWING		SHEET 2 OF 2