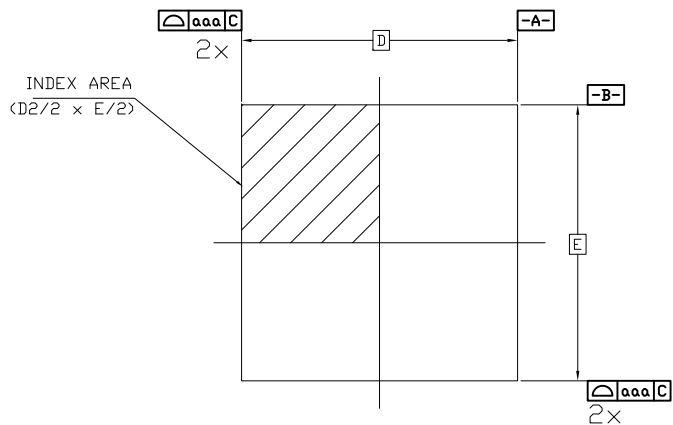
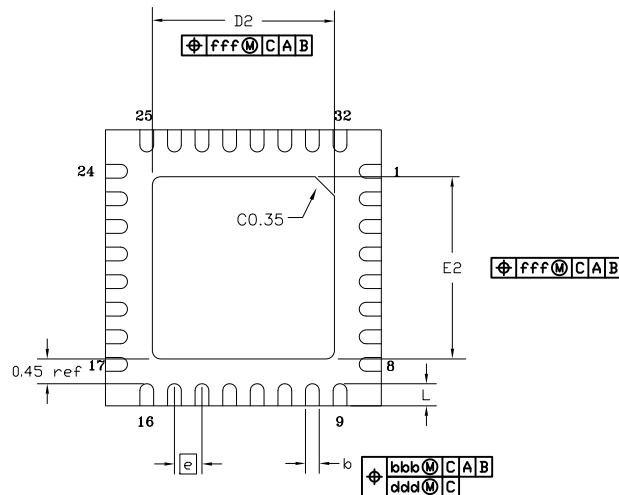


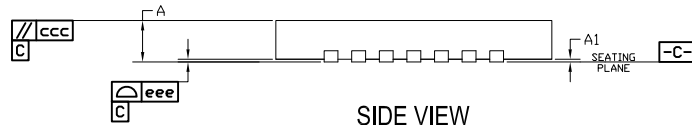
| REVISIONS |                 |         |          |
|-----------|-----------------|---------|----------|
| REV       | DESCRIPTION     | DATE    | APPROVED |
| 00        | INITIAL RELEASE | 5/11/16 | JH       |



TOP VIEW



BOTTOM VIEW




SIDE VIEW

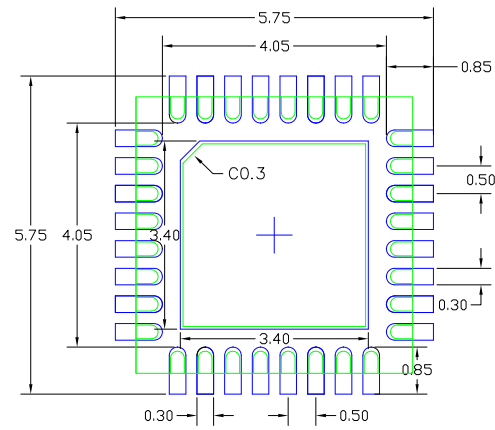
| SYMBOL | DIMENSION |      |      |
|--------|-----------|------|------|
|        | MIN       | NOM  | MAX  |
| L      | 0.30      | 0.40 | 0.50 |
| D      | 5.00 BSC  |      |      |
| E      | 5.00 BSC  |      |      |
| D2     | 3.20      | 3.30 | 3.40 |
| E2     | 3.20      | 3.30 | 3.40 |
| e      | 0.50 BSC  |      |      |
| A      | 0.70      | 0.75 | 0.80 |
| A1     | 0.00      | 0.02 | 0.05 |
| b      | .20       | .25  | .30  |
| aaa    | 0.10      |      |      |
| bbb    | 0.10      |      |      |
| ccc    | 0.10      |      |      |
| ddd    | 0.05      |      |      |
| eee    | 0.08      |      |      |
| fff    | 0.10      |      |      |

NOTES:

1. ALL DIMENSIONING AND TOLERANCING CONFORM TO ANSI Y14.5M-1982
2. ALL DIMENSIONS ARE IN MILLIMETERS.

|                             |         |   |   |              |
|-----------------------------|---------|---|---|--------------|
| TOLERANCES UNLESS SPECIFIED |         | <br><b>www.IDT.com</b> | 6024 SILVER CREEK VALLEY ROAD, SAN JOSE, CA 95138<br>PHONE: (408) 284-8200<br>FAX: (408) 284-3572 |              |
| DECIMAL                     | ANGULAR |   |   |              |
| X± .1                       | ±1°     |   |   |              |
| XX± .05                     |         |   |   |              |
| XXX± .030                   |         |   |   |              |
| APPROVALS                   | DATE    | TITLE NB/NBG32 PACKAGE OUTLINE  |   |              |
| DRAWN <i>RAC</i>            | 5/11/16 | 5.0 x 5.0 mm BODY, EPAD 3.30mm SQ   |   |              |
| CHECKED                     |         | 0.50 mm PITCH QFN   |   |              |
|                             |         | SIZE  | DRAWING No.   | REV          |
|                             |         | C   | PSC-4348-02   | 00           |
| DO NOT SCALE DRAWING        |         |   |   | SHEET 1 OF 2 |


| REVISIONS |                 |         |          |
|-----------|-----------------|---------|----------|
| REV       | DESCRIPTION     | DATE    | APPROVED |
| 00        | INITIAL RELEASE | 5/11/16 | JH       |



RECOMMENDED LAND PATTERN DIMENSION

NOTES:

1. ALL DIMENSIONS ARE IN mm. ANGLES IN DEGREES.
2. TOP DOWN VIEW. AS VIEWED ON PCB.
3. COMPONENT OUTLINE SHOWN FOR REFERENCE IN GREEN.
4. LAND PATTERN IN BLUE. NSMD PATTERN ASSUMED.
5. LAND PATTERN RECOMMENDATION PER IPC-7351B GENERIC REQUIREMENT FOR SURFACE MOUNT DESIGN AND LAND PATTERN.

|                                |         |   |   |              |
|--------------------------------|---------|---|---|--------------|
| TOLERANCES<br>UNLESS SPECIFIED |         | <br><b>www.IDT.com</b> | 6024 SILVER CREEK<br>VALLEY ROAD. SAN JOSE,<br>CA 95138<br>PHONE: (408) 284-8200<br>FAX: (408) 284-3572 |              |
| DECIMAL                        | ANGULAR |   |   |              |
| X± .1                          | ±1°     |   |   |              |
| XX± .05                        |         |   |   |              |
| XXX± .030                      |         |   |   |              |
| APPROVALS                      | DATE    | TITLE: NB/NBG32 PACKAGE OUTLINE   |   |              |
| DRAWN <i>RdC</i>               | 5/11/16 | 5.0 x 5.0 mm BODY, EPAD 3.30mm SQ<br>0.50 mm PITCH QFN  |   |              |
| CHECKED                        |         |   |   |              |
|                                |         | SIZE  | DRAWING No.   | REV          |
|                                |         | <b>C</b>  | PSC-4348-02   | 00           |
| DO NOT SCALE DRAWING           |         |   |   | SHEET 2 OF 2 |