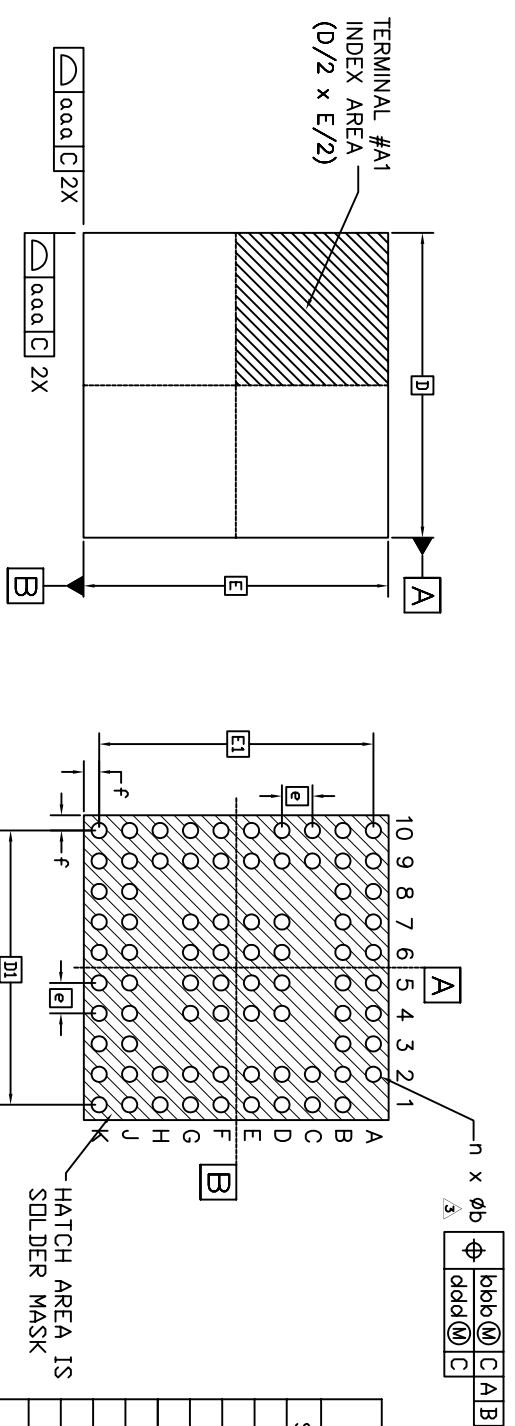


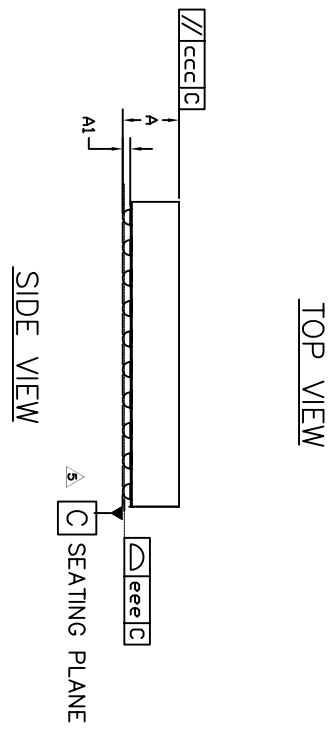
REVISIONS			
REV	DESCRIPTION	DATE	APPROVED
00	INITIAL RELEASE.	07/11/11	M. ROY
01	CHANGE A1 FM 0.125 TO 0.150mm. CHANGE A max FM 0.325 TO 0.039mm. CHANGE ddd, eee AND f TOLERANCES.	09/22/11	M. ROY
02	COMBINE POD & LAND PATTERN	07/25/13	M. ROY



DIMENSIONS			
SYMBOL	MIN	NOM	MAX
A	0.85	0.95	1.05
A1	0.10	0.15	0.20
$\phi b$	0.20	0.25	0.30
e	0.50 BSC		
D	5.00 BSC		
D1	4.50 BSC		
E	5.00 BSC		
E1	4.50 BSC		
n	79		
f	0.15	0.25	0.35

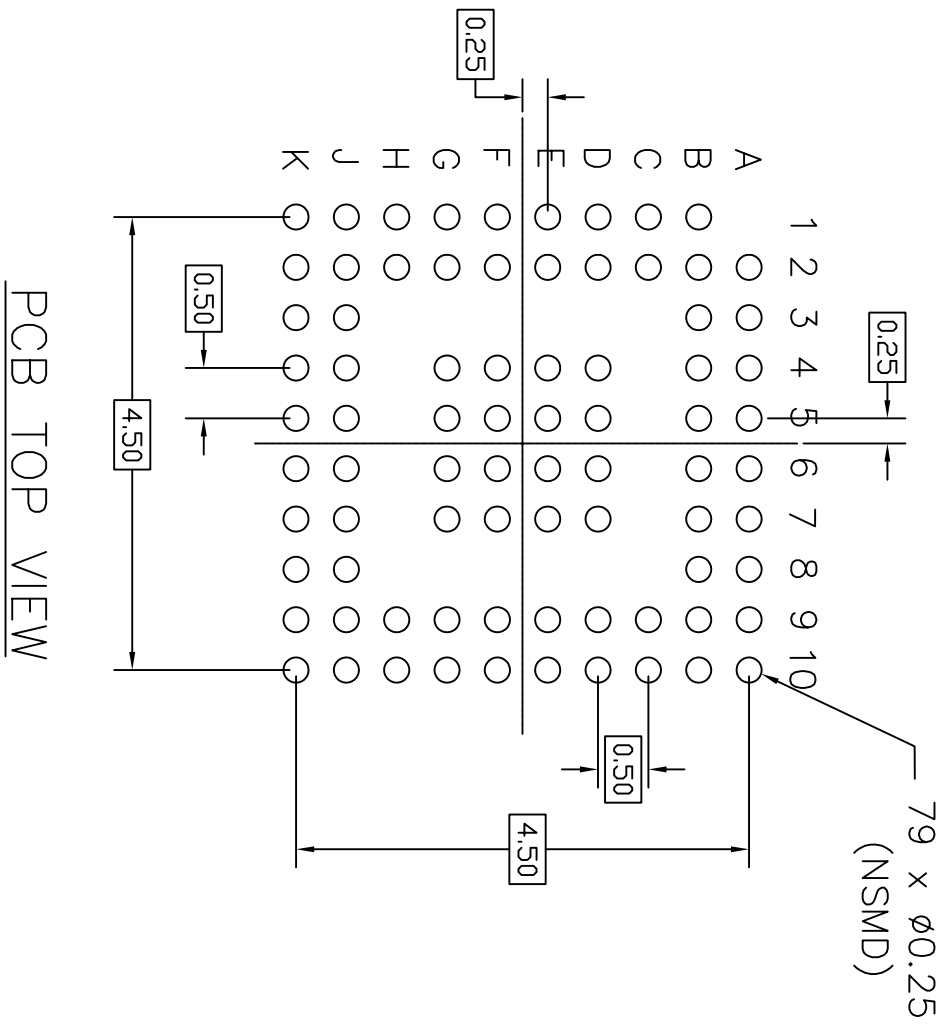
TOLERANCE OF FORM & POSITION	
aaa	0.10
bbb	0.15
ccc	0.10
ddd	0.05
eee	0.08



- NOTES:
1. ALL DIMENSIONS ARE IN MILLIMETERS.
  2. 'e' REPRESENT THE BASIC LAND GRID PITCH .
  3. "n" IS THE TOTAL NUMBER OF I/O.
  4. DIMENSIONING AND TOLERANCING PER ASME Y14.5M-1994
  5. SEATING PLANE AND PRIMARY DATUM -C- ARE DEFINED BY THE CONTACT POINTS OF THREE OR MORE SOLDER PADS THAT SUPPORT THE DEVICE WHEN PLACED ON A TOP OF A PLANAR SURFACE.


TOLERANCES UNLESS SPECIFIED			
DECIMAL	ANGULAR	8024 Silver Creek Valley Rd San Jose, CA 95138 PHONE: (408) 284-8200	
xxx.0.05	±	WWW.IDT.COM FAX: (408) 284-2775	
xxxx±		TITLE NAG79 PACKAGE OUTLINE www.idt.com	
APPROVALS	DATE	DRAWN 7/10/11 5X5mm BODY size, 0.5mm Pitch, Dual Row	
CHECKED		SIZE C DRAWING NO. PSC-4360 DO NOT SCALE DRAWING	
		SHEET 1 OF 2	

# RECOMMENDED PCB LAND PATTERN



- NOTES:
1. ALL DIMENSIONS ARE IN MILLIMETERS.
  2. DIMENSIONING AND TOLERANCING PER ASME Y14.5M-1994
  3. REFER TO PSC-4360 FOR PACKAGE OUTLINE DIMENSIONS.

REVISIONS			
REV	DESCRIPTION	DATE	APPROVED
00	INITIAL RELEASE.	07/11/11	M. ROY
01	CHANGE AT P1 0.125 TO 0.150mm. CHANGE A max P1 0.925 TO 0.095mm. CHANGE odd, see AND 1 TOLERANCES.	09/22/11	M. ROY
02	COMBINE P0D & LAND PATTERN	07/25/13	M. ROY

TOLERANCES UNLESS SPECIFIED		 <b>IDT</b> 6024 Silver Creek Valley Rd San Jose, CA 95138 PHONE: (408) 284-8200 FAX: (408) 284-2775 www.IDT.com
DECIMAL	ANGULAR	
XX ± 0.05	±	
XXXX ±		
APPROVALS	DATE	TITLE
7M/2	28/07/12	5x5mm BODY size, 0.5mm Pitch, Dual Row
CHECKED		
SIZE	DRAWING No.	REV
C	PSC-4360	02
DO NOT SCALE DRAWING		SHEET 2 OF 2