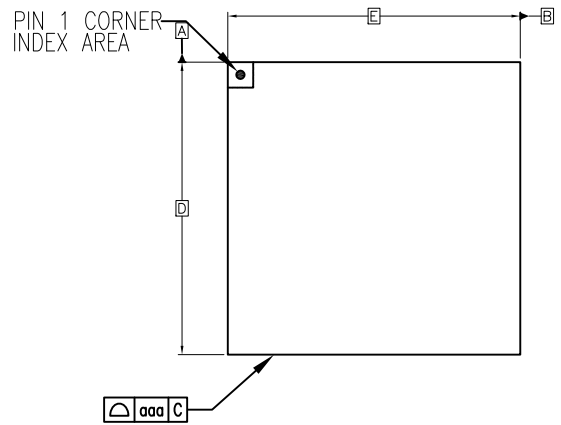
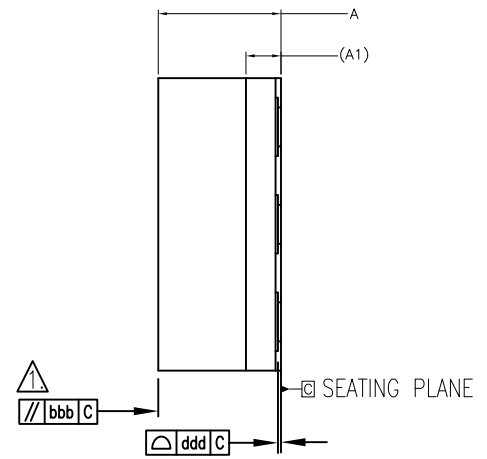


REVISION HISTORY			
DATE CREATED	REV	DESCRIPTION	AUTHOR
2/8/17	01	MODIFY DIMENSION "A" & PIN1 SHAPE	SRIKANTH
12/2/16	00	INITIAL RELEASE	SRIKANTH

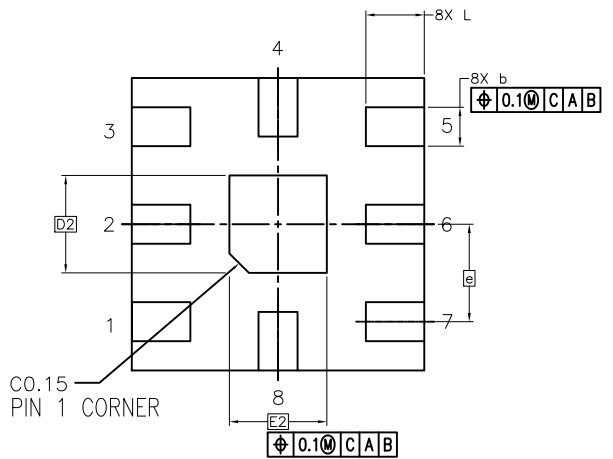
NOTE: REFER TO DCP FOR OFFICIAL RELEASE DATE.



TOP VIEW



SIDE VIEW




BOTTOM VIEW

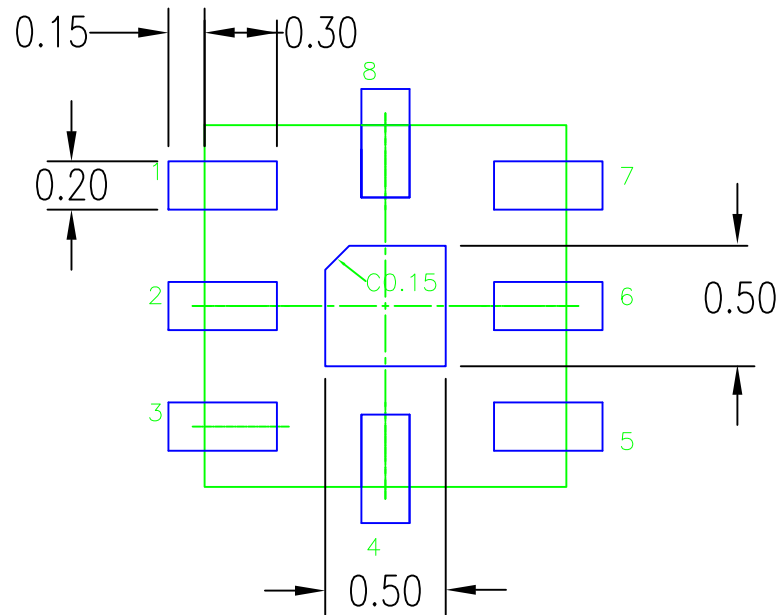
SYMBOLS	DIMENSIONS		
	MIN	NOM	MAX
A	0.55	-	0.70
A1	0.18 REF		
D	1.50 BSC		
E	1.50 BSC		
b	0.15	0.20	0.25
L	0.25	0.30	0.35
e	0.50 BSC		
D2	0.50 BSC		
E2	0.50 BSC		
aaa	0.10		
bbb	0.10		
ddd	0.08		

NOTES:

- 1. PARALLELISM MEASUREMENT SHALL EXCLUDE ANY EFFECT OF MARK ON TOP SURFACE OF PACKAGE
- 2. ALL DIMENSION IN MM.


TOLERANCES UNLESS SPECIFIED DECIMAL      ANGULAR XX±            ± XXX± XXXX±	 <b>6024 Silver Creek Valley Rd</b> San Jose, CA 95138 PHONE: (408) 284-8200 FAX: (408) 284-3572	
	<b>www.IDT.com</b> TITLE LGG8 PACKAGE OUTLINE 1.5 x 1.5 mm BODY 0.5 mm PITCH LGA	
SIZE C	DRAWING No. PSC-4680	REV 01
DO NOT SCALE DRAWING		SHEET 1 OF 2

DATE CREATED	REVISION HISTORY		
	REV	DESCRIPTION	AUTHOR
2/8/17	01	MODIFY DIMENSION "A" & PIN1 SHAPE	SRIKANTH
12/2/16	00	INITIAL RELEASE	SRIKANTH
NOTE: REFER TO DCP FOR OFFICIAL RELEASE DATE.			



NOTES:

1. ALL DIMENSION ARE IN mm. ANGLES IN DEGREES.
2. TOP DOWN VIEW. AS VIEWED ON PCB.
3. COMPONENT OUTLINE SHOW FOR REFERENCE IN GREEN.
4. LAND PATTERN IN BLUE. NSMD PATTERN ASSUMED.
5. LAND PATTERN RECOMMENDATION PER IPC-7351B GENERIC REQUIREMENT FOR SURFACE MOUNT DESIGN AND LAND PATTERN.

TOLERANCES UNLESS SPECIFIED		 <b>6024 Silver Creek Valley Rd</b> <b>San Jose, CA 95138</b> <b>PHONE: (408) 284-8200</b> <b>FAX: (408) 284-3572</b>
DECIMAL	ANGULAR	
XX±	±	<a href="http://www.IDT.com">www.IDT.com</a>
XXX±		
XXXX±		
TITLE LGG8 PACKAGE OUTLINE 1.5 x 1.5 mm BODY 0.5 mm PITCH LGA		
SIZE	DRAWING No.	REV
C	PSC-4680	01
DO NOT SCALE DRAWING		SHEET 2 OF 2